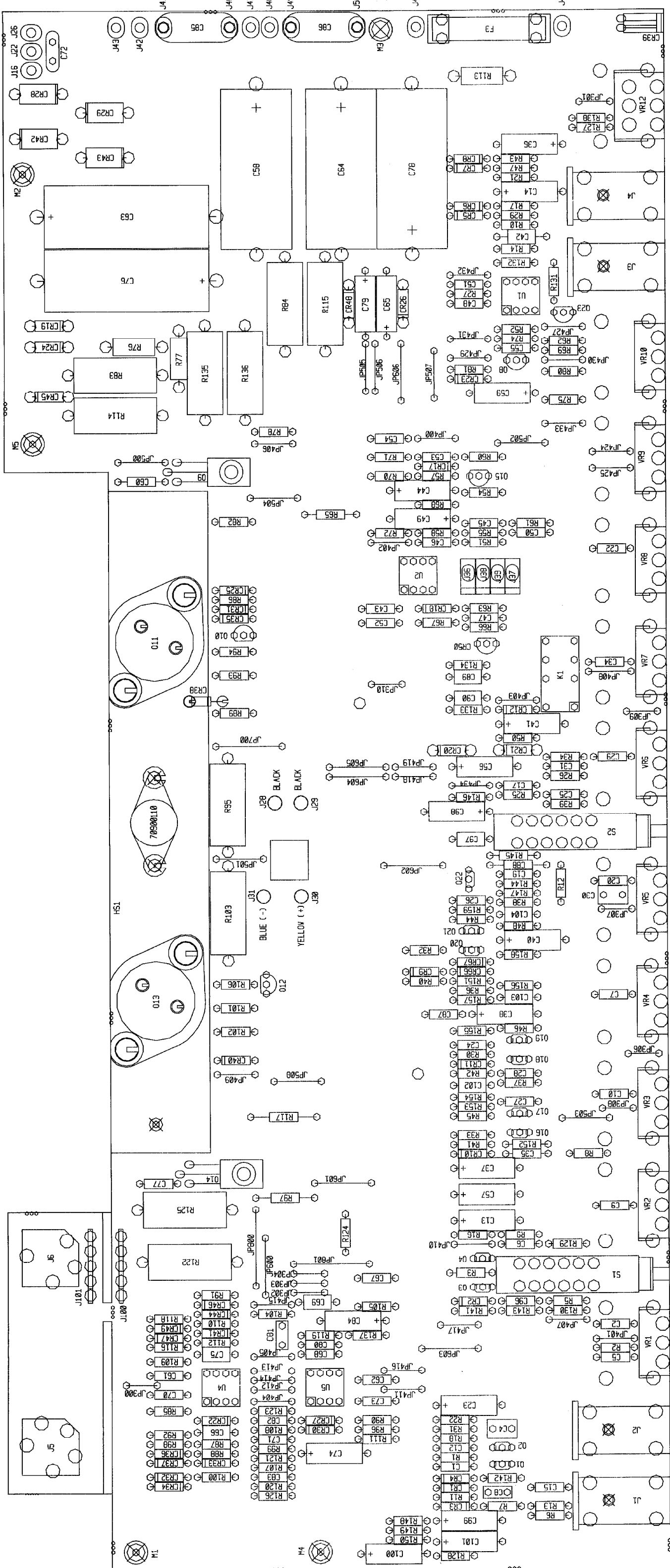


TRADE SECRET--PATENT PENDING--DO NOT COPY
 THIS MATERIAL IS CONFIDENTIAL AND PROPRIETARY,
 BEING EXCLUSIVELY OWNED BY PEAVEY ELECTRONICS
 CORPORATION. THE EXPRESSION OF THE INFORMATION
 CONTAINED HEREIN IS THE PROPERTY OF PEAVEY
 COPYRIGHT LAWS AND ALL COPYING IS PROHIBITED
 AND MAY BE SUBJECT TO CRIMINAL PENALTIES.

PEAVEY ELECTRONICS CORP.	
711 A STREET	
MILWAUKEE, WISCONSIN 53204	
TITLE EXPRESS/STUDIO TRANSISTOR	
SIZE	CODE NUMBER
D	CFP98852141
REV	
PRINT	DATE 11-APR-95
	SHEET 1 OF 1



98852141
 EXPRESS TRANSTUBE

