

# **Service** *Manual*

**MODEL: TS112A/115A**



[www.altoprofessional.com](http://www.altoprofessional.com)

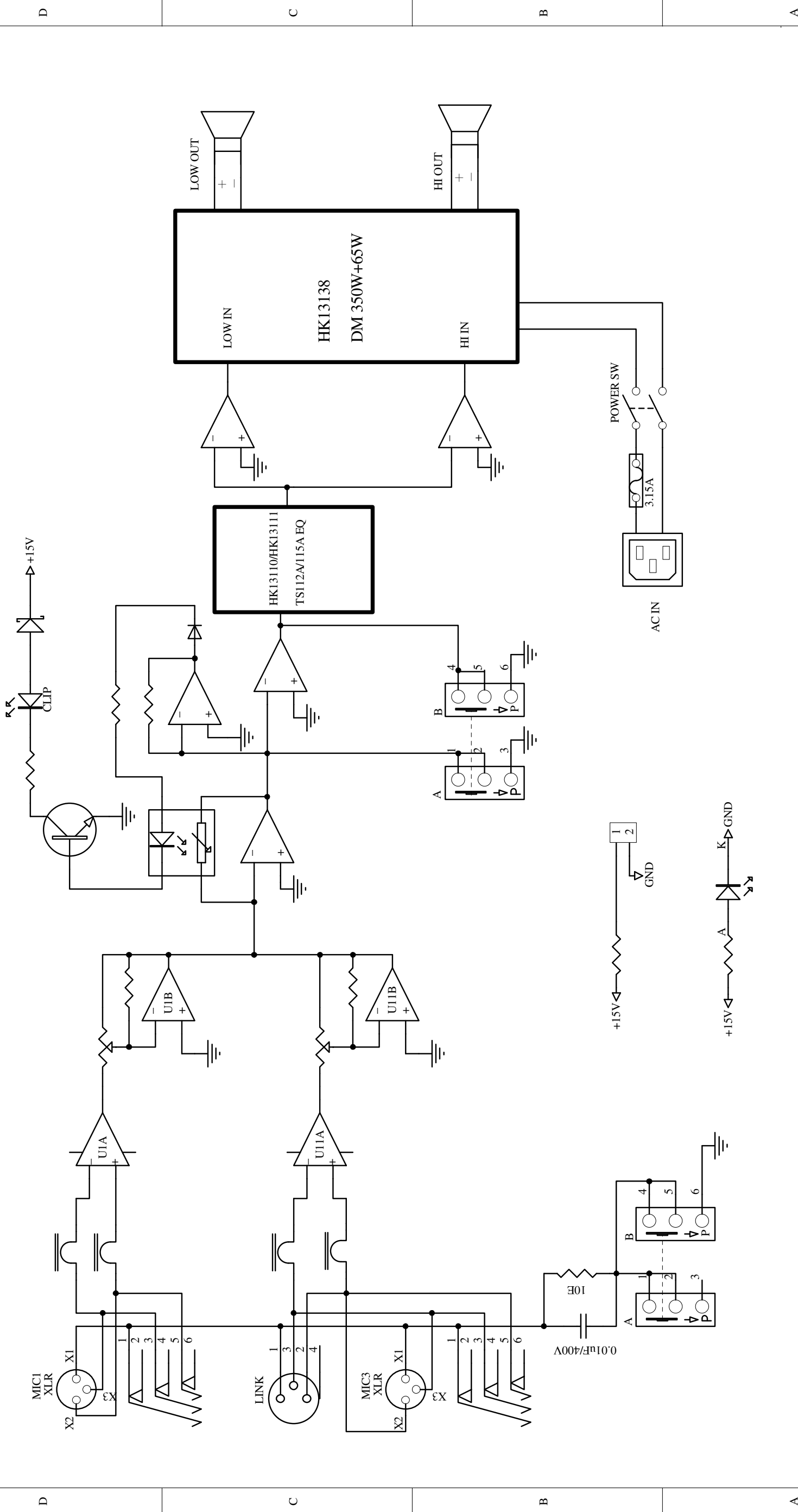
Version 1.0 revised on MAY 2011

# CONTENTS

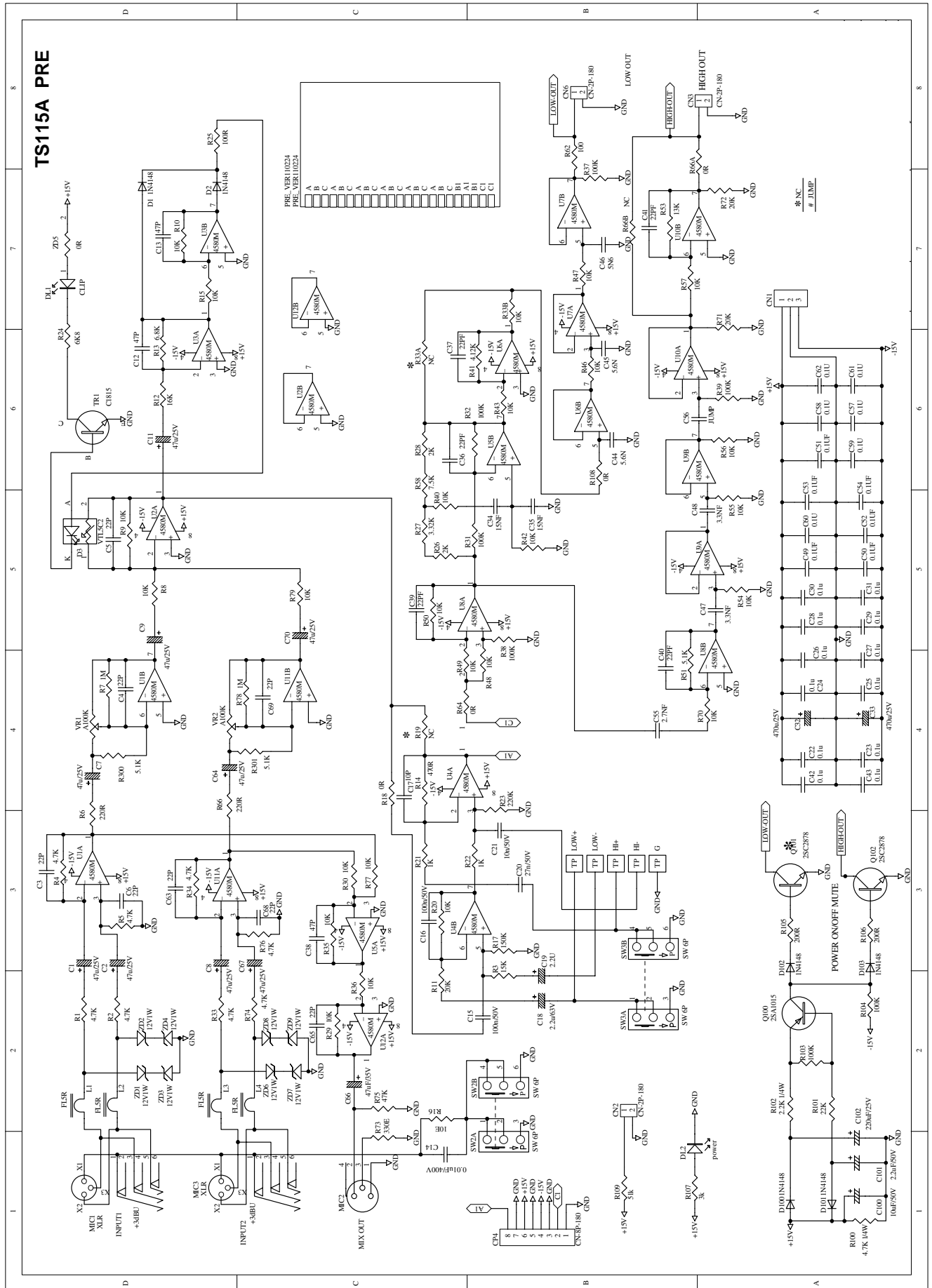
1. BLOCK DIAGRAM.....	1
2. SCHEMATIC DIAGRAM.....	2
3. WIRING DIAGRAM.....	11
4. EXPLODED VIEW & MECHANICAL PARTS LIST.....	14
5. BOM.....	20

# 1. Block Diagram

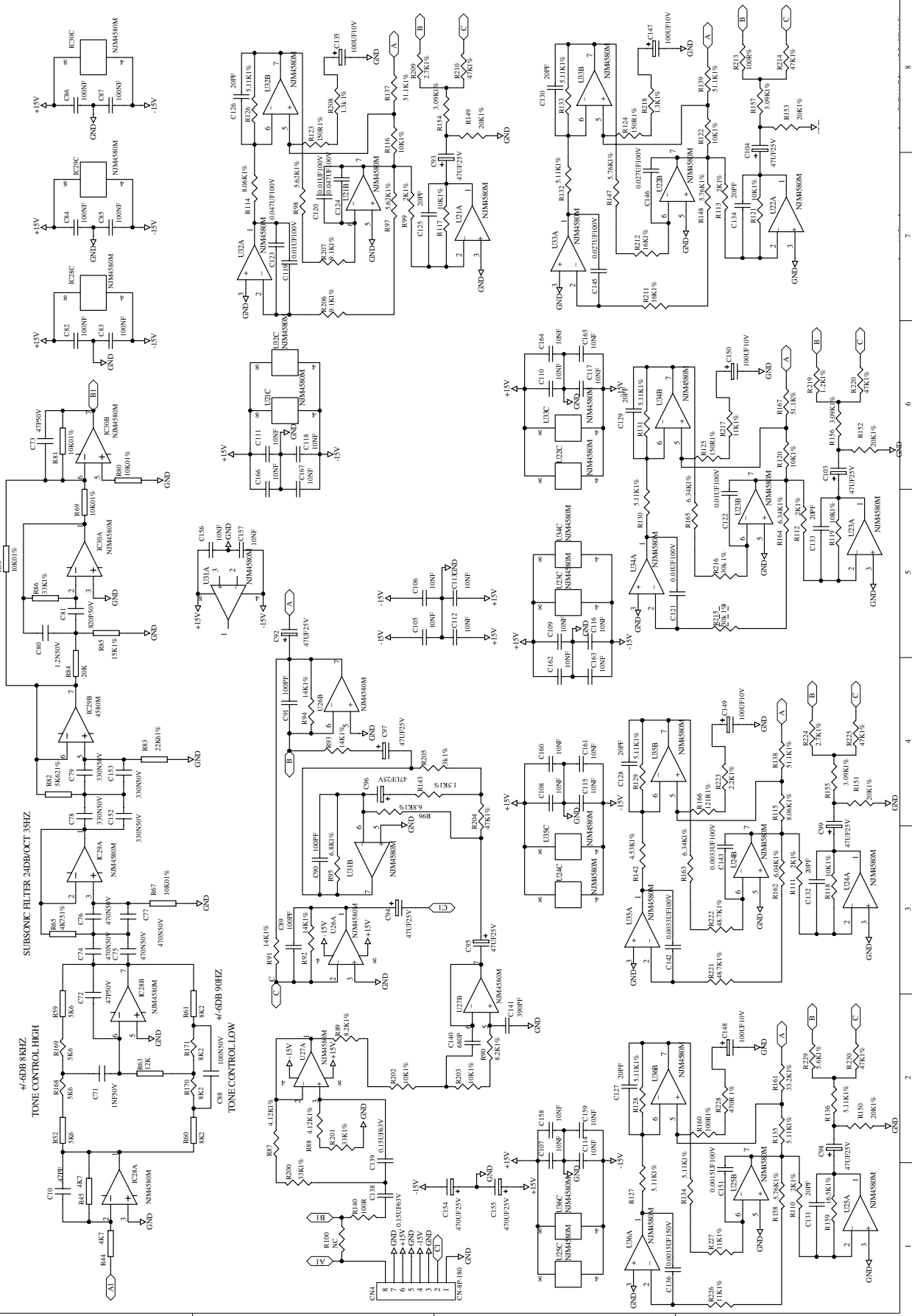
## TS112A / TS115A block diagram



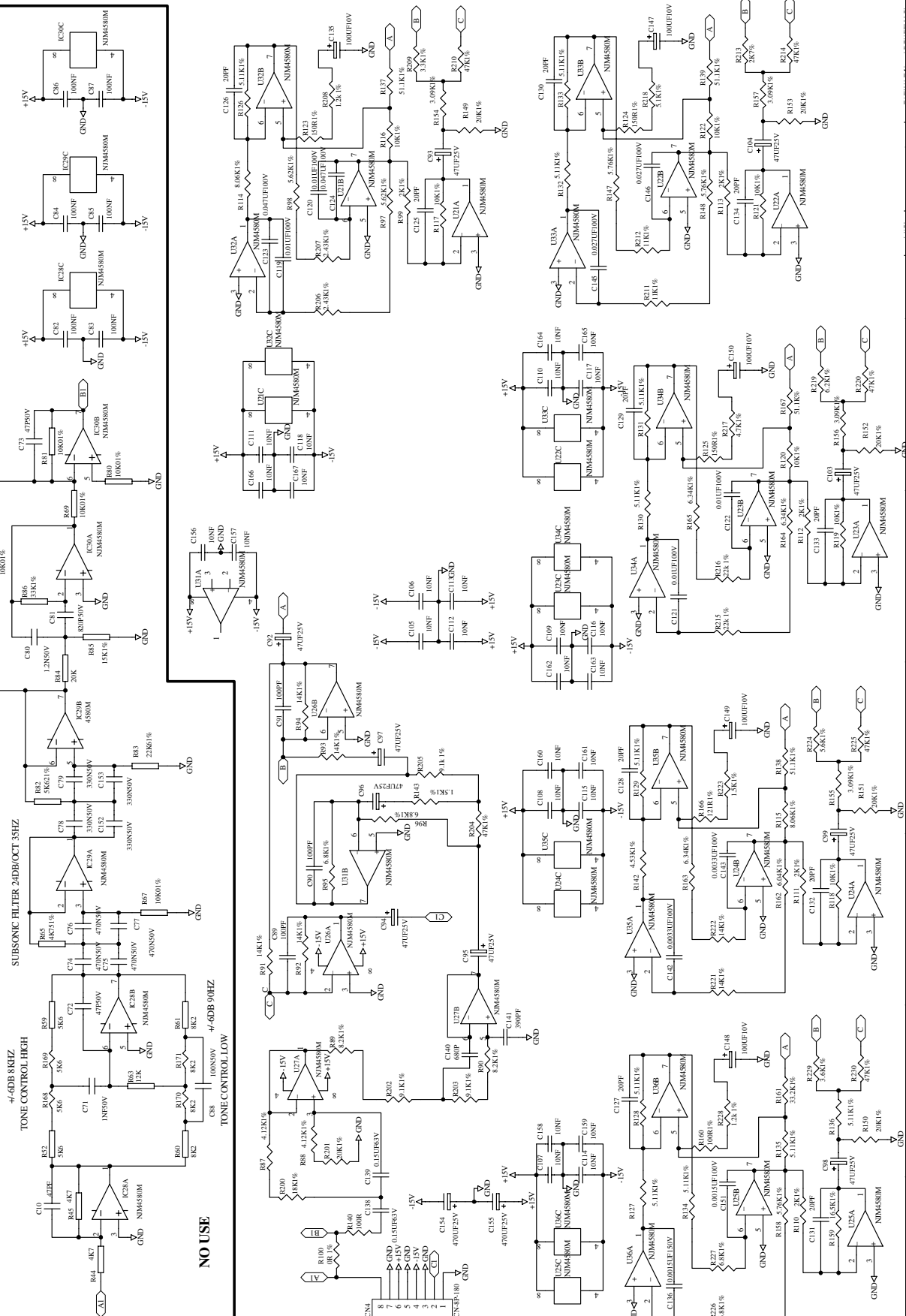
# 2. Schematic Diagram



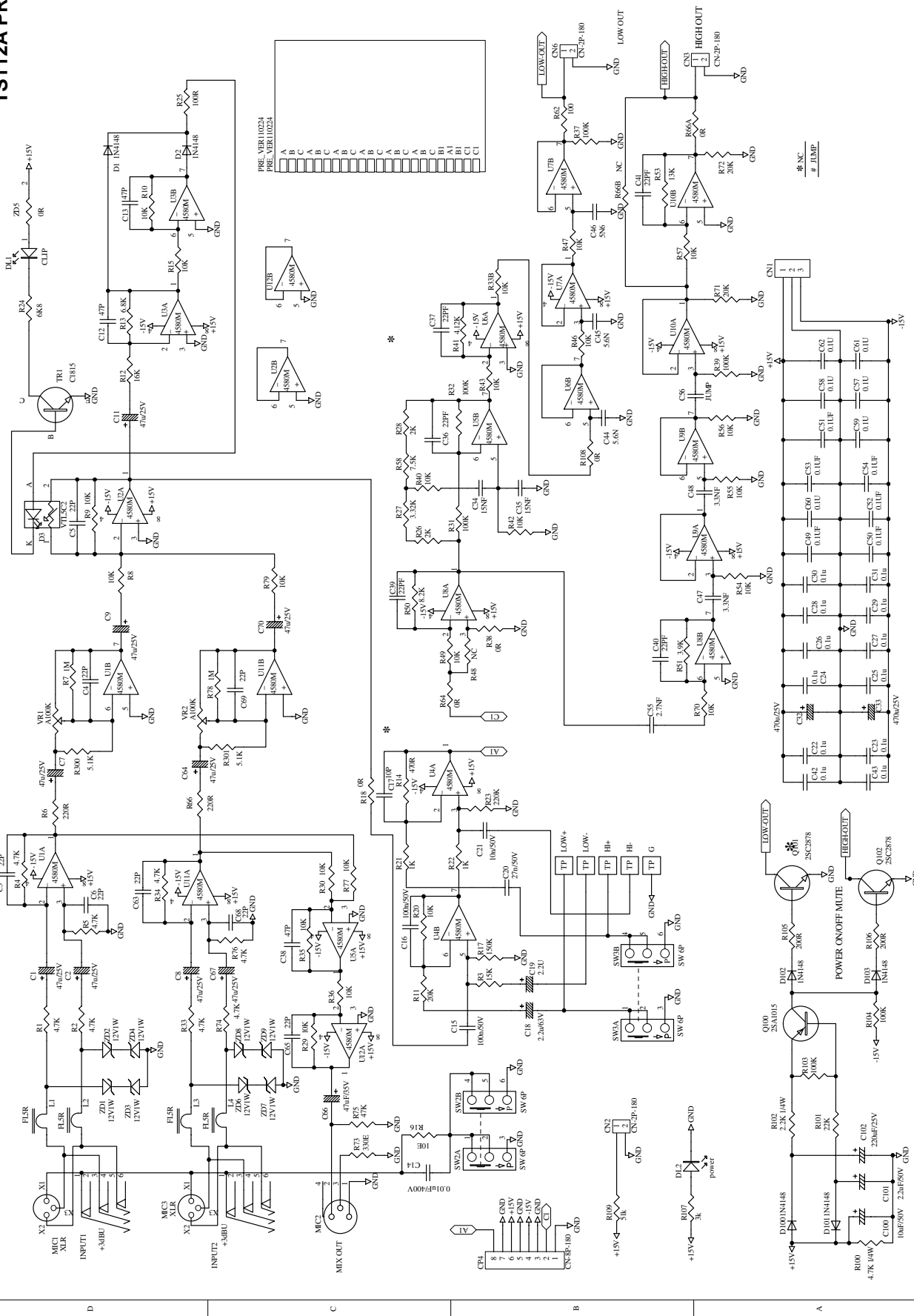
# TS115A PRE EQ

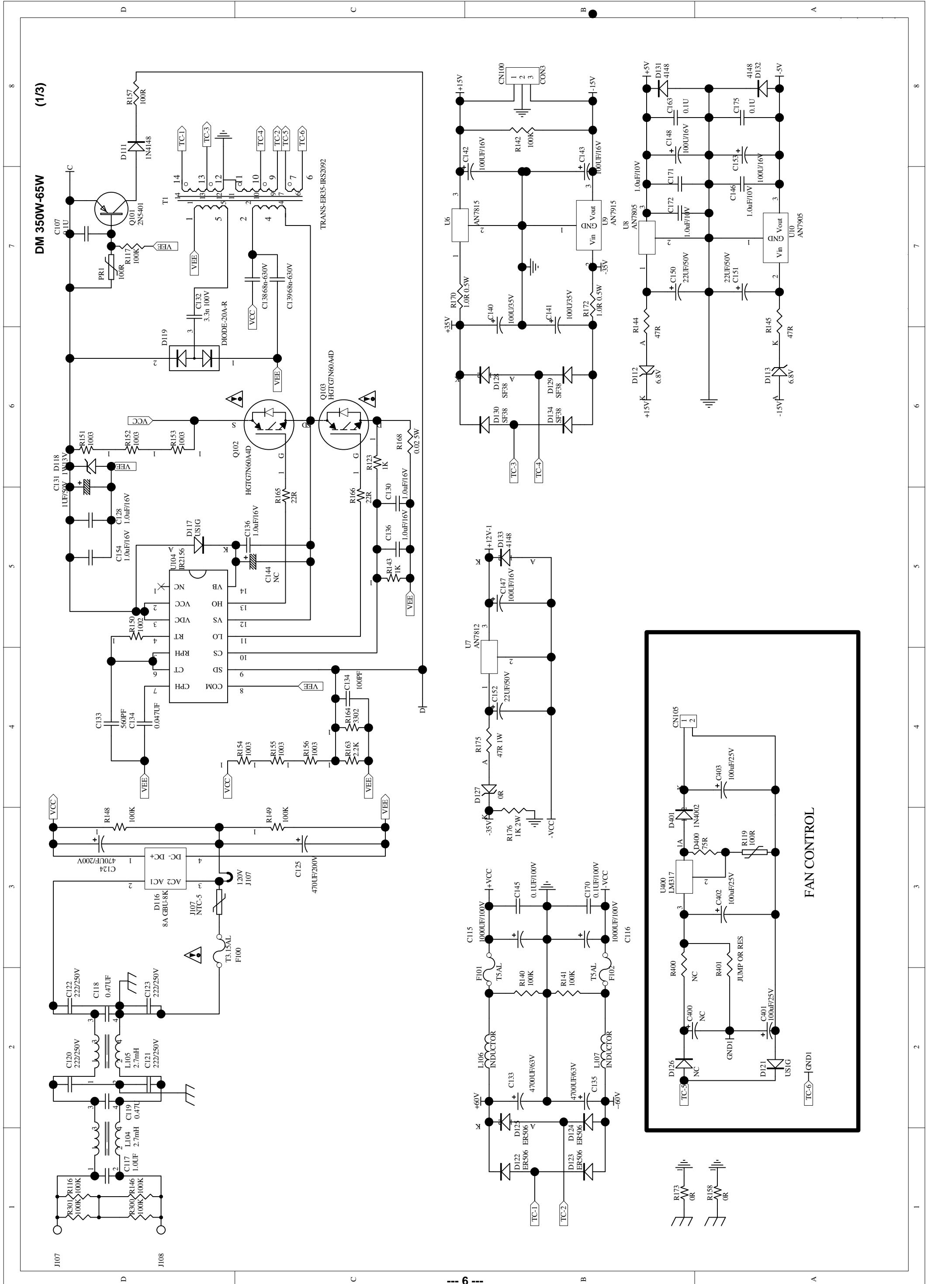


# TS112A PRE EQ



# TS112A PRE

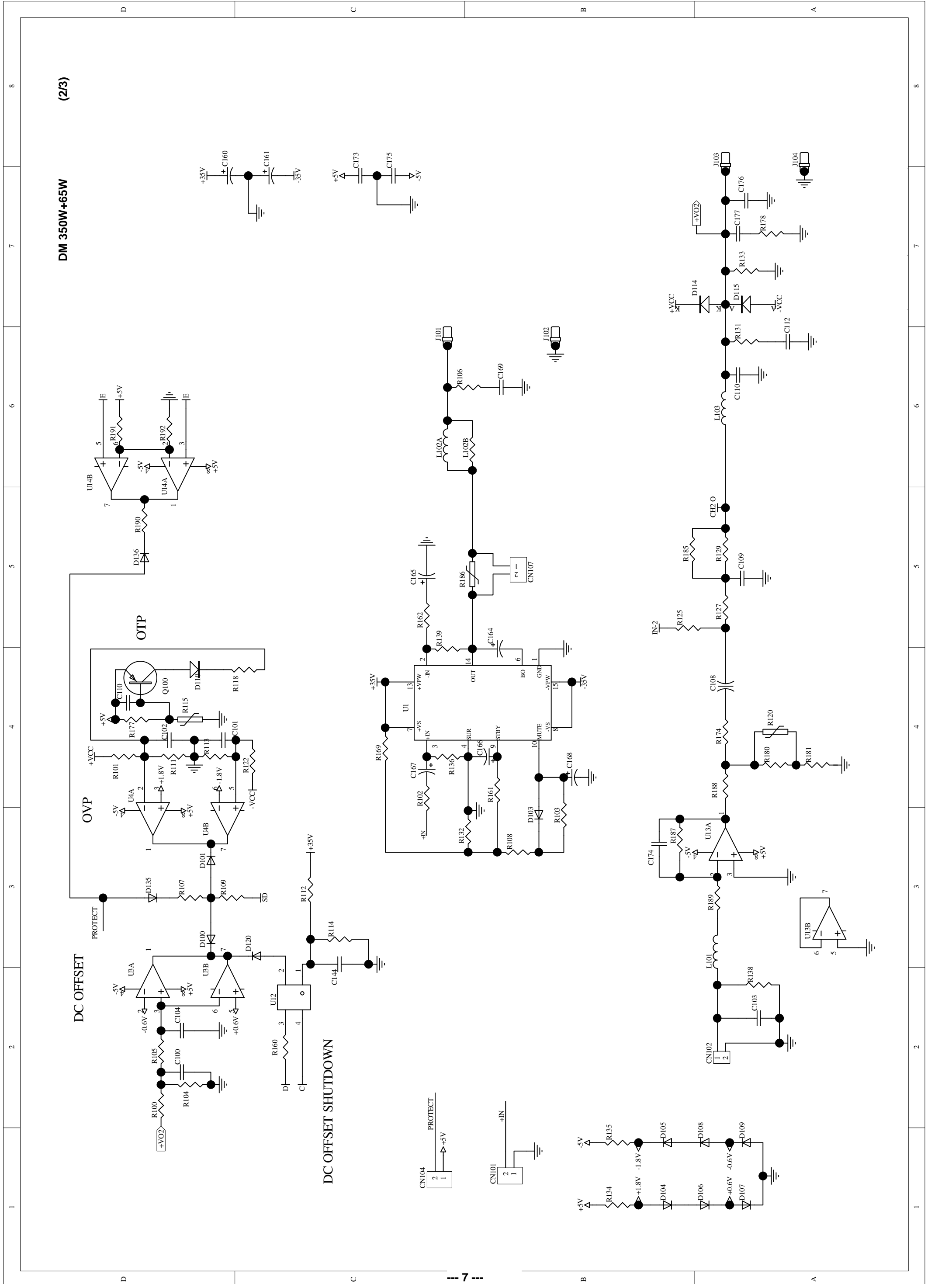




**DM 350W-65W (1/3)**

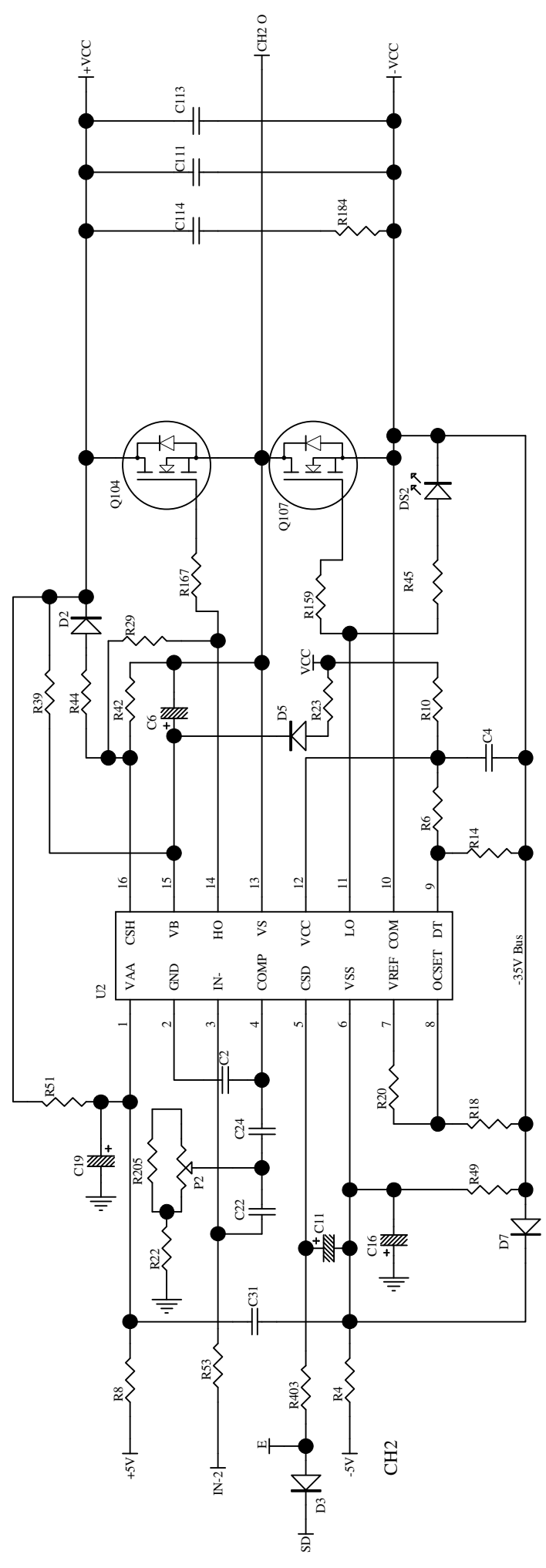
**FAN CONTROL**





DM 350W+65W (2/3)

DM 350W+65W (3/3)



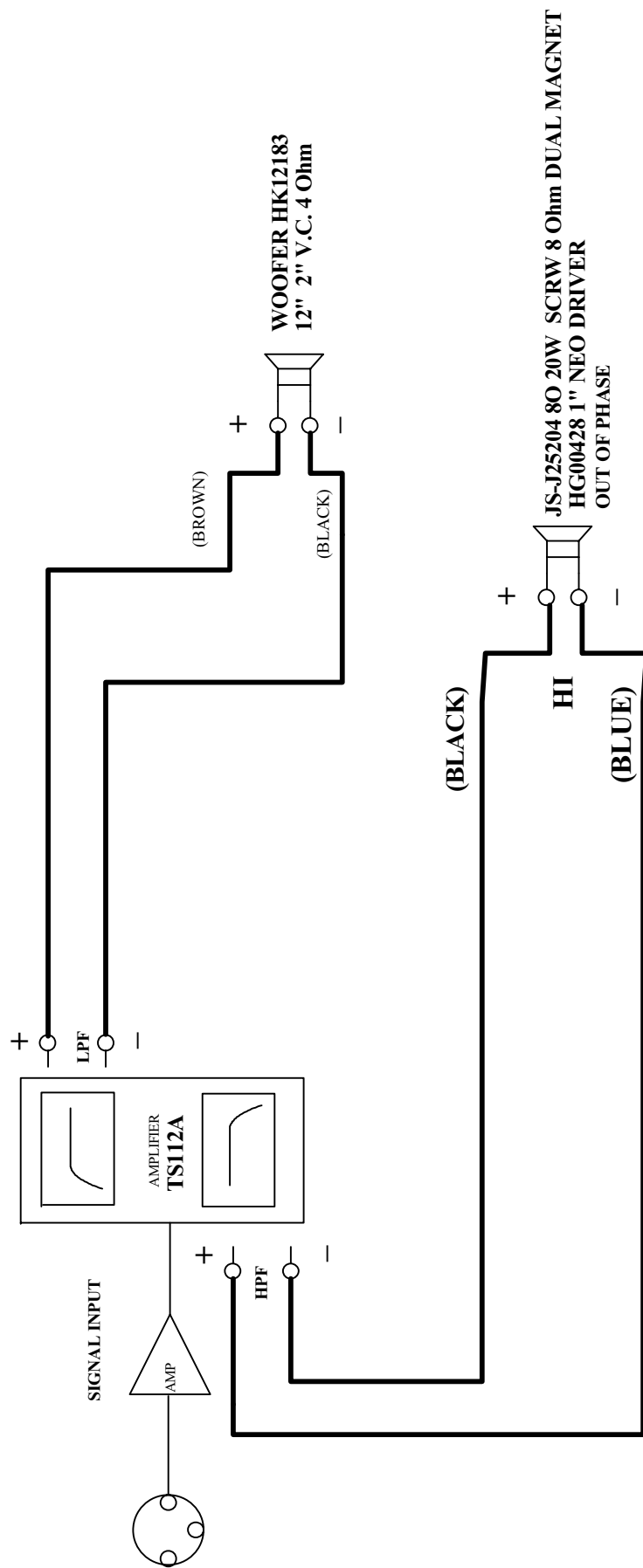
D

C

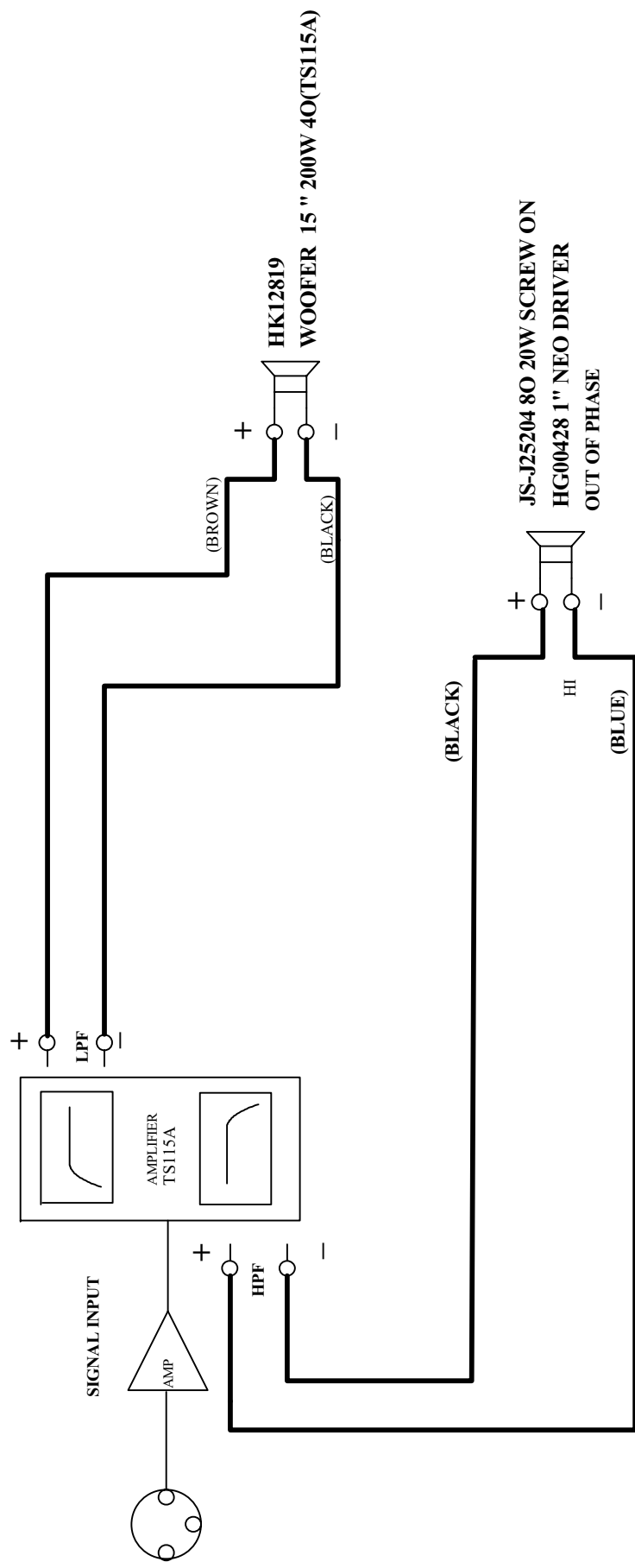
B

A

TS112A 1/1



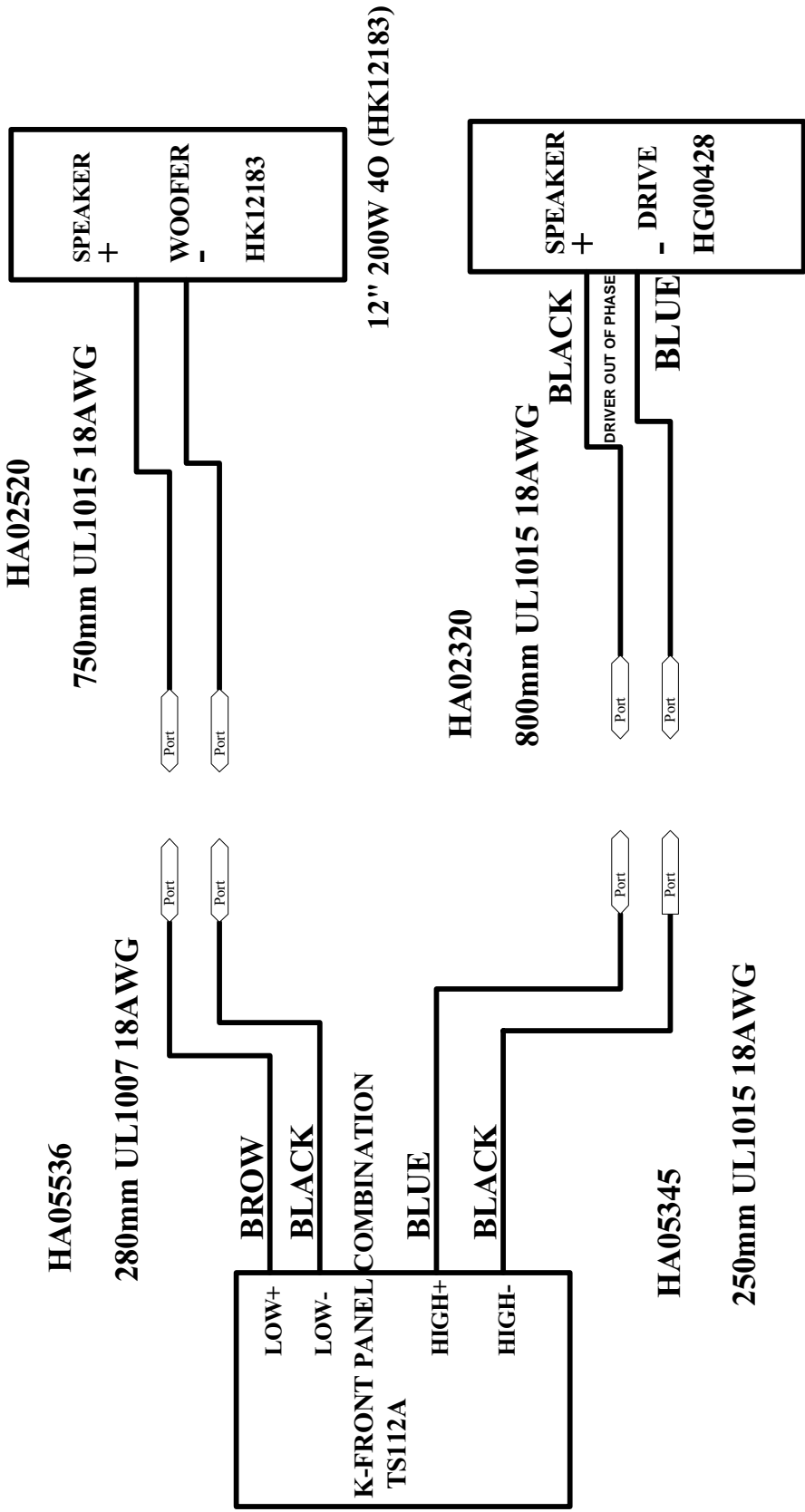
TS115A 1/1





# TS112A WIRING DIAGRAM

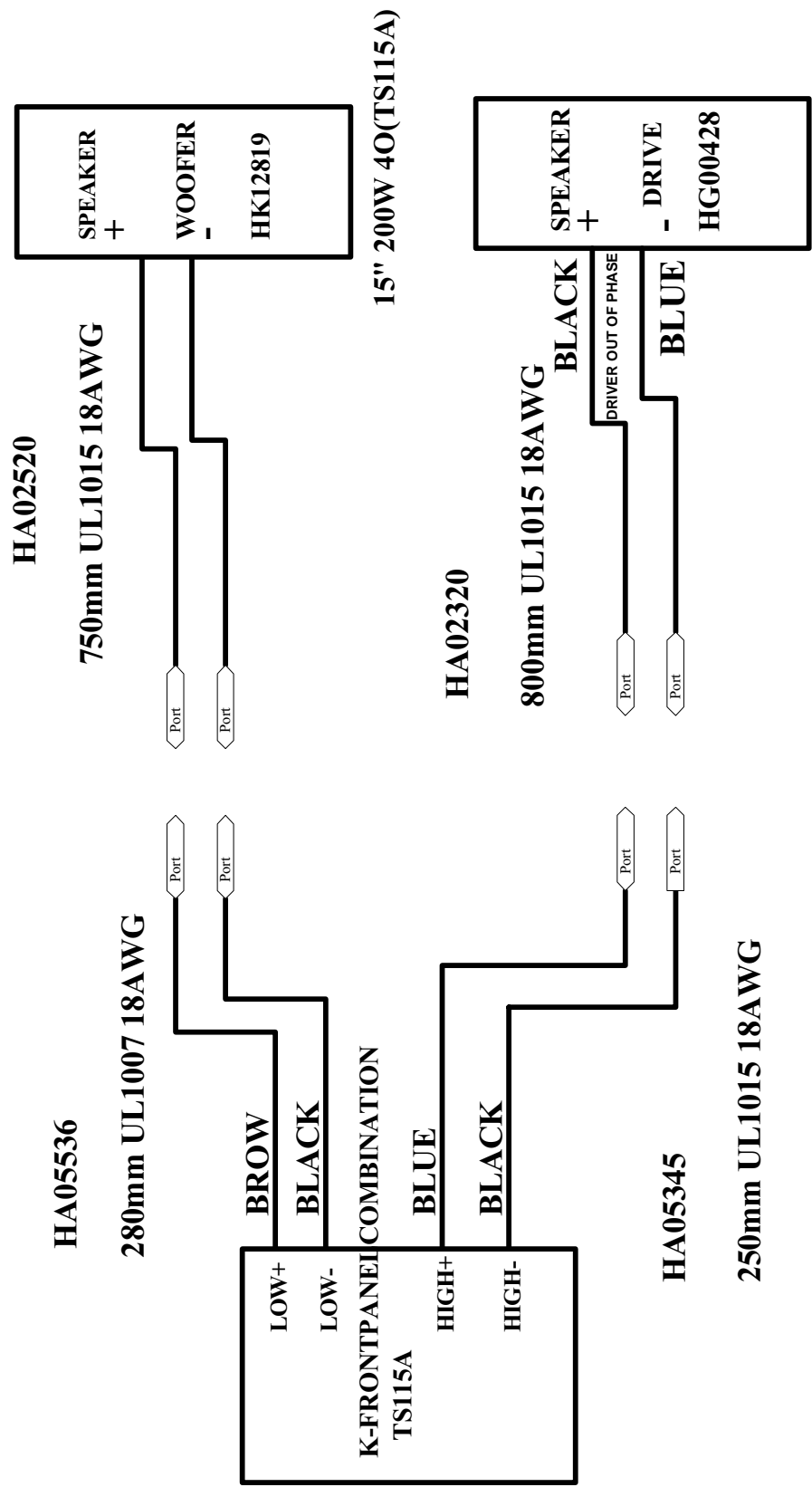
1/1



JS-J25204 80 20W SCREW ON

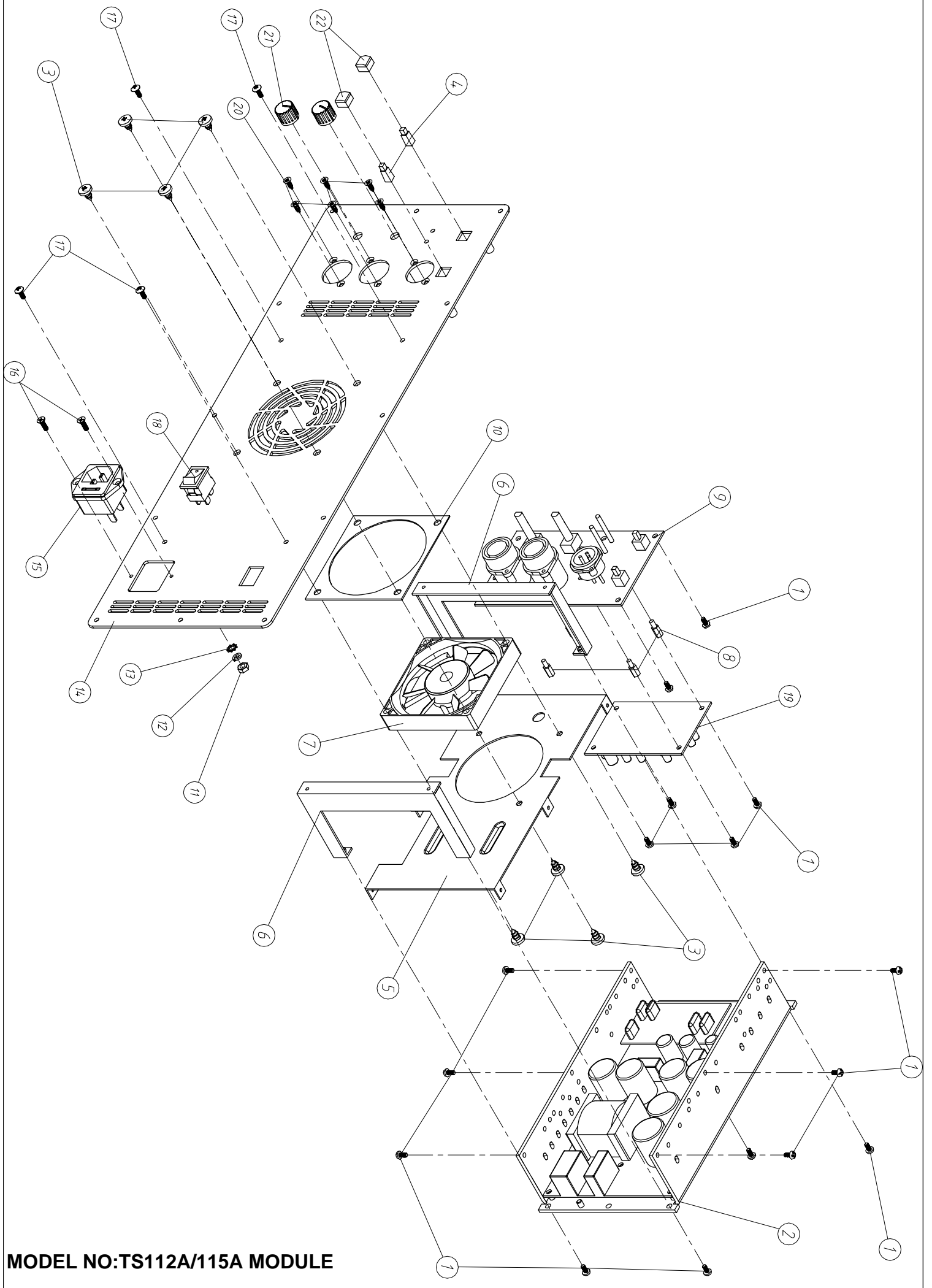
# TS115A WIRING DIAGRAM

1/1



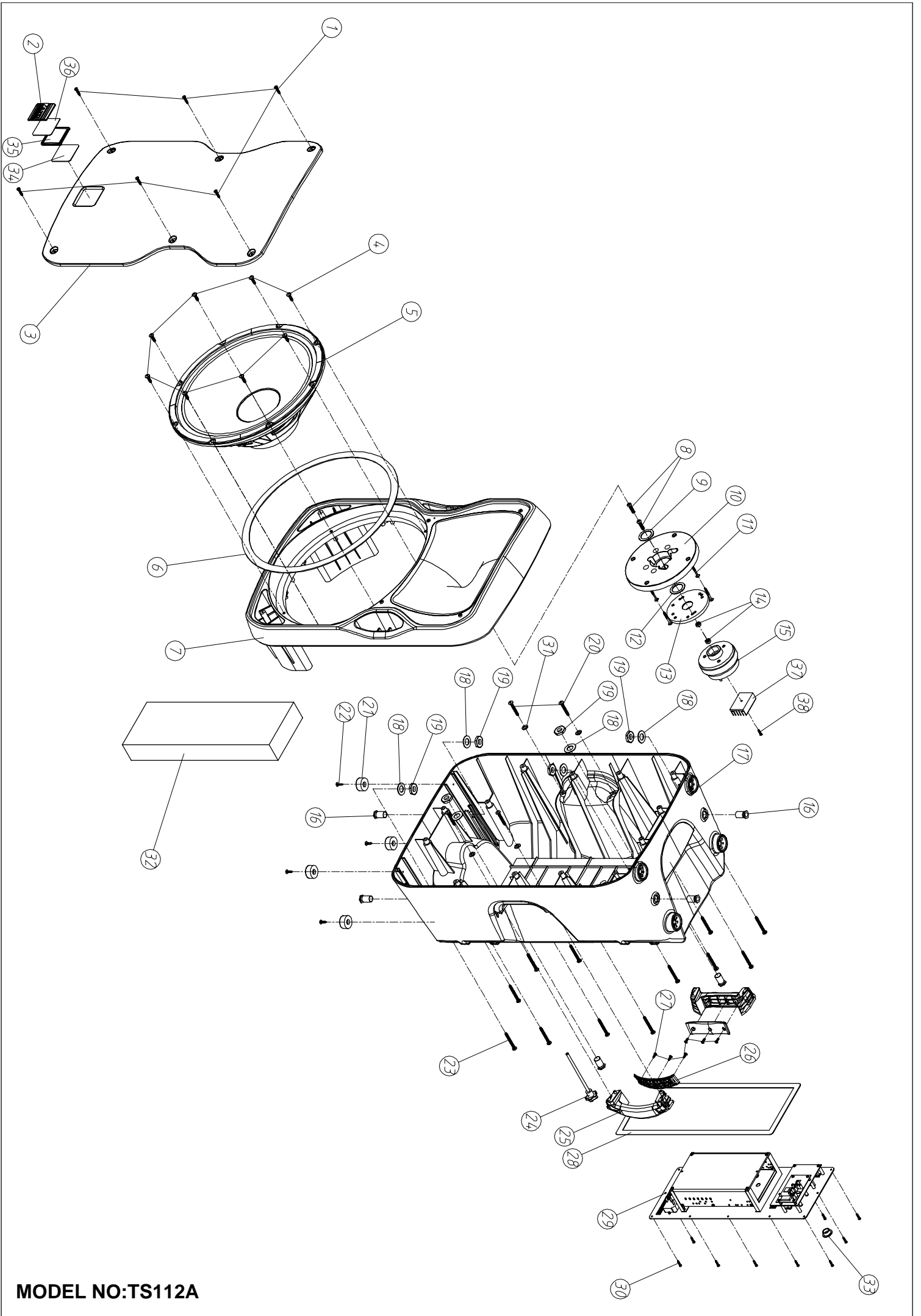
JS-J25204 80 20W SCREW ON

# 4. Exploded View & Mechanical Parts List

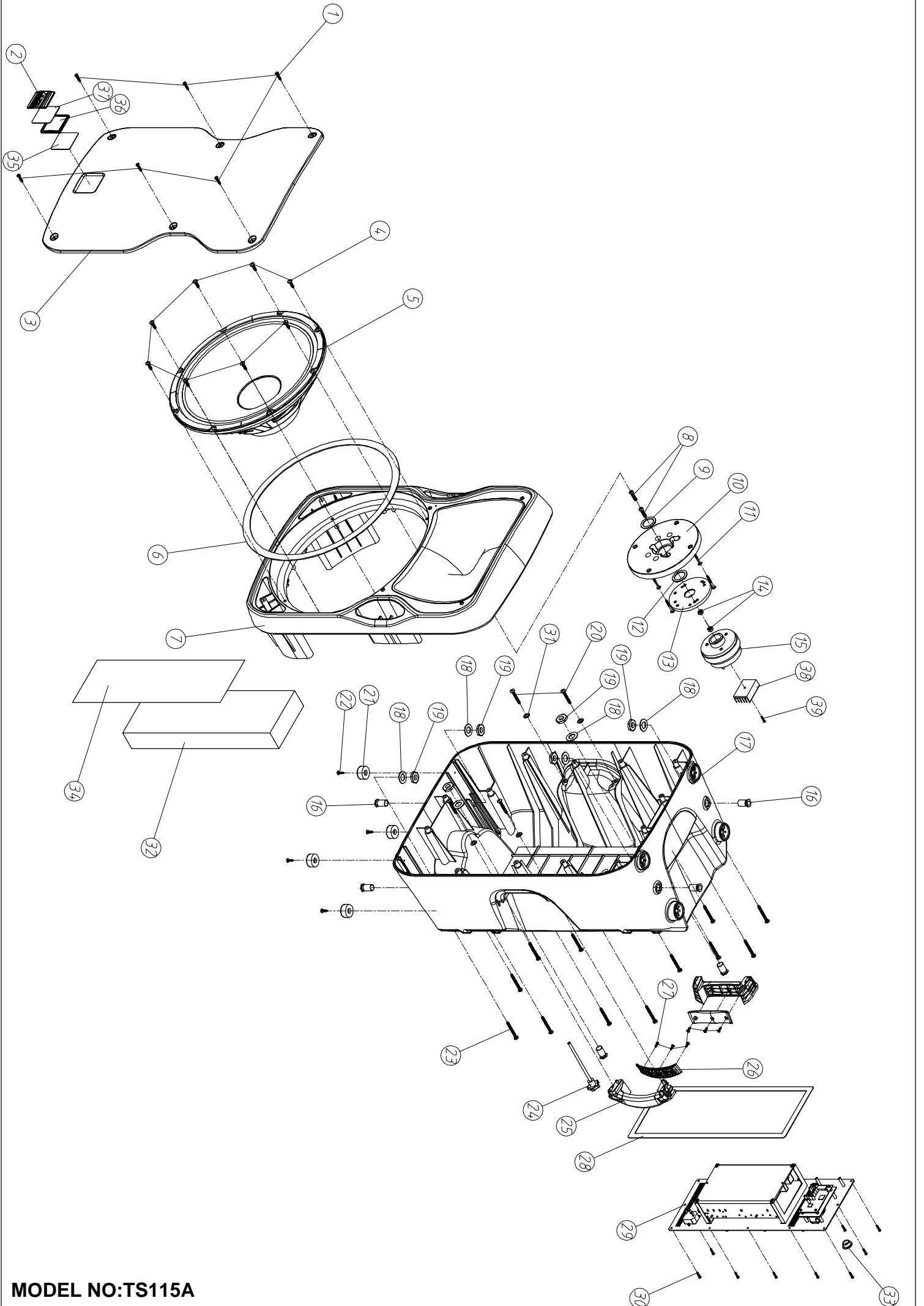


**MODEL NO:TS112A/115A MODULE**





MODEL NO:TS112A



MODEL NO:TS115A

TS112A MODULE PARTS LIST				
S/N	Part No	Description	Specification	Qty
1	MG00162	nickel screw-RS	M3*8	16
2	HK13138	K-PCB-RS	P-DM 350W+65W MAIN-DIP	1
3	MG00607	black screw-RS	M5*10	8
4	NI01862	button handle-RS-C	5.5*5.5*14.5_V1.1	2
5	MC01108	ZD-top cover-RS	DM 350W+65W 1.2t*115.7*11*200_V1.3	1
6	MI05057	ZD-bracket-RS	PMB8.350 UM 1.5t*122*66*12mm_V1.0	2
7	HE00141	fan-RS	DC12V/4000RPM 80*80*15mm 480mm 2.5 2P	1
8	MG00261	copper column-RS	M3*8.5*0.5PH	1
9	HK13009	K-PCB-RS	P-TS112A PRE-DIP	1
10	NC03371	ZD-insulation sheet-RS-TS112A-17	TS 112A 1t*86*86_V1.0	1
11	ME00016	multicolored nut-RS	4mm	1
12	MF00038	spring washer-RS	φ4*φ7*1t	1
13	MF00048	outer gear washer-RS	φ4*φ8*0.5t	1
14	MA08851	ZC-front panel-RS	TS112A MK II ALTO CHINA_V1.1	1
15	HC00008	AC inlet-RS	3515 A TYPE(RF-2004-C-4.8)	1
16	MG00042	black screw-RS	M3*10	2
17	MG00020	black screw-RS	M3*8	4
18	HI00019	PWR SW-RS	z e	1
19	HK13110	K-PCB-RS	P-TS112A PRE-EQ-DIP	1
20	MG00918	black screw-RS	M2.6*9	6
21	NI02386	plastic knob-RS	φ14*13mm	2
22	NI06123	button-RS-CT-ABS	9.2*9.2*7.3(3.3*3.3)	2

TS115A MODULE PARTS LIST				
S/N	Part No	Description	Specification	Qty
1	MG00162	nickel screw-RS	M3*8	16
2	HK13138	K-PCB-RS	P-DM 350W+65W MAIN-DIP	1
3	MG00607	black screw-RS	M5*10	8
4	NI01862	button handle-RS-C	5.5*5.5*14.5_V1.1	2
5	MC01108	ZD-top cover-RS	DM 350W+65W 1.2t*115.7*11*200_V1.3	1
6	MI05057	ZD-bracket-RS	PMB8.350 UM 1.5t*122*66*12mm_V1.0	2
7	HE00141	fan-RS	DC12V/4000RPM 80*80*15mm 480mm 2.5 2P	1
8	MG00261	copper column-RS	M3*8.5*0.5PH	1
9	HK13153	K-PCB-RS	P-TS115A PRE-DIP	1
10	NC03371	ZD-insulation sheet-RS-TS112A-17	TS 112A 1t*86*86_V1.0	1
11	ME00016	multicolored nut-RS	4mm	1
12	MF00038	spring washer-RS	φ4*φ7*1t	1
13	MF00048	outer gear washer-RS	φ4*φ8*0.5t	1
14	MA08850	ZC-front panel-RS	TS115A MK II ALTO CHINA_V1.1	1
15	HC00008	AC inlet-RS	3515 A TYPE(RF-2004-C-4.8)	1
16	MG00042	black screw-RS	M3*10	2
17	MG00020	black screw-RS	M3*8	4
18	HI00019	PWR SW-RS	z e	1
19	HK13111	K-PCB-RS	P-TS115A PRE-EQ-DIP	1
20	MG00918	black screw-RS	M2.6*9	6
21	NI02386	plastic knob-RS	φ14*13mm	2
22	NI06123	button-RS-CT-ABS	9.2*9.2*7.3(3.3*3.3)	2

**TS112A PARTS LIST**

<b>S/N</b>	<b>Part No</b>	<b>Description</b>	<b>Specification</b>	<b>Qty</b>
1	MG00935	black screw-RS-CT	M4*20	6
2	MI05478	P-label-RS-ACT	ALESIS supply	1
3	MD01554	ZB-metal grille-RS	ZEOX 12A_V1.0	1
4	MG00843	black screw-RS	M5*20*φ10	8
5	HK12183	K-speaker-RS_woofer	12" 200W 4Ω(PS4LA)	1
6	ND00374	EV foam-RS	2.0t*948*18mm	1
7	NI06077	speaker front panel-RS-CT	ZEOX 12A 383.7*639.66*127	1
8	MG00456	black screw-RS	M6*22*1.0PH	2
9	ND01212	EV foam-RS-CT	1t*φ36*φ45	1
10	NI06071	tweeter bracket-RS-CT-ABS	φ178*30	1
11	MG00511	black screw-RS	M4*37	4
12	ND01211	EV foam-RS-CT	1t*φ26*φ36	1
13	NI05562	speakon fixed board-RS-ABS	JH531φ102*φ26mm	1
14	ME00130	nut-RS	M6*1.0PH	2
15	HG00428	tweeter-RS	JS-J25204 8Ω 20W SCREW ON	1
16	MG00411	black screw-RS	M14*26*1.0PH_V1.1	5
17	NI06079	K-speaker rear cover-RS	ZEOX 12A 384*644*293	1
18	MF00089	multicolored washer-RS-CT	φ27.5*φ14.8*1.4t_V1.2	5
19	ME00116	black nut-RS	M14*5*1.0PH	5
20	MG00842	black screw-RS	M5*40*φ10	4
21	NI02728	rubber foot-RS	φ29.5*14	4
22	MG00488	black screw-RS	M3.5*15	4
23	MG00925	black screw-RS	M5*50	14
24	MG00838	K-zinc screw-RS	FLASH12 φ30.5*51.5_V1.0	1
25	NI06072	handle-RS-CT-ABS	ZEOX 15A 169.9*52.7mm	2
26	NI06073	rubber cushion-RS-CT	ZEOX 15A 108.7*30.54mm	2
27	MG00064	black screw-RS	M3*10	6
28	ND00468	EV foam-RS	1.0t*1210*13.5_V1.0	1
29	HK12822	K-front panel combination-RS	TS112A_ALTO_220-240V	1
30	MG00334	black screw-RS	M3*16	12
31	MF00032	washer-RS-CT	φ6.3*φ11*0.8t	4
32	ND00270	absorption foam-RS	700*430*50	0.5
33	NI02250	MIC jack cap-RS	φ17*φ23.5*9	1
34	ND01228	EV foam-RS-CT	1t*50.5*50.5	1
35	NI06135	fixed piece-RS-CT-ABS	TS 112A 5.12*54.66*54.66	1
36	ND01228	EV foam-RS-CT	1t*50.5*50.5	1
37	MI05479	heat sink-RS-C	TS 115A 3*30*15*36	1
38	MG00373	nickel screw-RS	M3*5mm	1

**TS115A PARTS LIST**

<b>S/N</b>	<b>Part No</b>	<b>Description</b>	<b>Specification</b>	<b>Qty</b>
1	MG00935	black screw-RS-CT	M4*20	6
2	MI05478	P-label-RS-ACT	ALESIS supply	1
3	MD01556	ZB-metal grille-RS	ZEOX 15A_V1.0	1
4	MG00843	black screw-RS	M5*20*φ10	8
5	HK12819	K-speaker-RS_woofer	15" 200W 4Ω(TS115A)	1
6	ND00398	EV foam-RS	SR500A-SUB 1205.5*15*2	1
7	NI06080	speaker front panel-RS-CT	ZEOX 15A 430.8*674.7*172	1
8	MG00456	black screw-RS	M6*22*1.0PH	2
9	ND01212	EV foam-RS-CT	1t*φ36*φ45	1
10	NI06071	tweeter bracket-RS-CT-ABS	φ178*30	1
11	MG00511	black screw-RS	M4*37	4
12	ND01211	EV foam-RS-CT	1t*φ26*φ36	1
13	NI05562	speakon fixed board-RS-ABS	JH531φ102*φ26mm	1
14	ME00130	nut-RS	M6*1.0PH	2
15	HG00428	tweeter-RS	JS-J25204 8Ω 20W SCREW ON	1
16	MG00411	black screw-RS	M14*26*1.0PH_V1.1	6
17	NI06082	K-speaker rear cover-RS	ZEOX 15A 429.93*679*312.7	1
18	MF00089	multicolored washer-RS-CT	φ27.5*φ14.8*1.4t_V1.2	6
19	ME00116	black nut-RS	M14*5*1.0PH_V1.3	6
20	MG00842	black screw-RS	M5*40*φ10	4
21	NI02728	rubber foot-RS	φ29.5*14	4
22	MG00488	black screw-RS	M3.5*15	4
23	MG00925	black screw-RS	M5*50	14
24	MG00838	K-zinc screw-RS	FLASH12 φ30.5*51.5_V1.0	1
25	NI06072	handle-RS-CT-ABS	ZEOX 15A 169.9*52.7mm	2
26	NI06073	rubber cushion-RS-CT	ZEOX 15A 108.7*30.54mm	2
27	MG00064	black screw-RS	M3*10	6
28	ND00468	EV foam-RS	1.0t*1210*13.5_V1.0	1
29	HK12824	K-front panel combination-RS	TS115A_ALTO_220-240V	1
30	MG00334	black screw-RS	M3*16	12
31	MF00032	washer-RS-CT	φ6.3*φ11*0.8t_V1.0	4
32	ND00270	absorption foam-RS	700*430*50	1
33	NI02250	MIC jack cap-RS	φ17*φ23.5*9	1
34	ND00387	non-woven cloth	700*430*0.35mm	1
35	ND01228	EV foam-RS-CT	1t*50.5*50.5	1
36	NI06135	fixed piece-RS-CT-ABS	TS 112A 5.12*54.66*54.66_V1.0	1
37	ND01228	EV foam-RS-CT	1t*50.5*50.5	1
38	MI05479	heat sink-RS-C	TS 115A 3*30*15*36	1
39	MG00373	nickel screw-RS	M3*5mm	1

# 5. BOM

# USA

Rank	Part No	Description	Specification	Insert Location	Remark
PC01748		SPEAKER	TS112A_ALTO_110-120V_CHINA_(NUMARK)		
0001	NI05562	fixed board-RS-ABS	JH531 102* 26mm		latch tweeter
0002	MG00456	screw	M6*22*1.0PH		tweeter bracket and speakon bracket
0003	ME00130	nut-RS	M6*1.0PH		tweeter bracket and speakon bracket
0004	NI02728	rubber foot	29.5*14 black		
0005	MG00488	screw-RS	M3.5*15		rubber foot*4
0006	MG00411	screw	M14*26*1.0PH_V1.1		speaker rear cover hanging hole
0007	ME00116	nut	M14*5*1.0PH_V1.3		speaker rear cover hanging hole
0008	MF00089	washer-RS-ACT	27.5* 14.8*1.4t_V1.2		speaker rear cover hanging hole
0009	MG00334	screw-RS	M3*16mm		front panel & speaker cabinet*12
0010	MG00843	screw-RS	M5*20* 10		woofer *8
0011	MG00064	screw	M3*10		handle & handle cushion*6
0012	MG00511	screw-RS	M4*37_V1.1		tweeter bracket & speaker front panel*4
0013	MG00842	screw-RS	M5*40* 10		handle & speaker rear panel*4
0014	NI02250	MIC jack	17* 23.5*9		
0015	ND00270	absorb sound sponge	700*430*50		on back of tweeter
0016	ND00374	EV foam	2.0t*948*18mm black_V1.0		back of woofer *1
0017	ND00468	EV foam	1.0t*1210*13.5_V1.0		on module front panel
0018	HK12183	SPEAKER	12inch 200W 4 (PS4LA)		
0001	NH00241	cover-RS	97*18.4		
0002	NH00243	cushion-RS	315*280*8 EVA_V1.1		
0003	ND00350	spider-RS	150* 50.8*8 MC-1038 0.6/50g_V1.0		
0004	ND00227	sponge	S0721B_NYLON NET D35		
0005	MI01517	bracket-RS	318* 60*64 P:76_V1.0		
0006	MH01568	WASHER-RS	129* 52.5*8 P:76_V1.2		
0007	MH02056	magnet-RS	135* 57*19 Y30_V1.0		
0008	MH01110	rivet	M0500A_OU-30		
0009	HC00426	terminal-RS	M0021B_PT2.1_V1.0		
0010	NI02583	terminal block	3.5*24.5*3t		
0011	HA02493	strand	TA4X4YKA42W*110mm		
0012	HG00355	voice coil-RS	BASV2L 50.5*36*3.6*0.29 13.6_V1.0		
0013	MH02077	T-shape middle pillar-RS	129* 50*28.5*8 P:55_V1.1		
0014	MH01975	magnet-RS	100* 45*15 Y30_V1.0		
0015	NE20041	label-RS	HK12183_V1.0		
0016	NH00620	cone-RS	297* 51.2*76 HC:1232-NP-WN11_V1.0		
0019	HG00428	speaker-RS	JS-J25204 8 20W SCREW ON		
0020	HA00841	power cord(America 3P)	LT-202+18A*3C(SVT) 6FT+LT-501		
0021	HA02320	single terminal wiring	800mm UL1015 18AWG		tweeter connector
0022	HA02520	single terminal wiring	750mm UL1015 18AWG		woofer connector
0023	NI00218	cable tie	ALT-102SB		for wiring
0024	NA00880	PE bag-RS	0.03t*1200*800mm12 hole		unit
0025	NA00858	PE bag-RS	0.04t*240*160mm_V1.0		manual and warranty card
0026	HK12821	faceplate-RS	TS112A_ALTO_110-120V		
0001	MI05057	fixed bracket-RS	PMB8.350 UM 1.5t*122*66*12mm_V1.0		
0002	NI00218	cable tie	ALT-102SB		
0003	NI02386	konb-RS	14*13mm		1.VOLUME
0004	NI01862	key	5.5*5.5*14.5_V1.1		
0005	ME00016	color nut	4m/m		GND*1
0006	MF00038	washer-RS	4* 7*1t		GND*1
0007	MF00048	washer-RS	4* 8*0.5t		GND*1
0008	MG00162	screw	M3*8		AMP*4+MC01108*6
0009	MG00607	screw	M5*10		fix the fan*8
0010	MG00042	screw	M3*10		1.AC inlet
0011	HI00019	power switch	4P MSR-8		
0012	HC00008	AC socket	3515 A TYPE(RF-2004-C-4.8)		
0013	HA03670	wire	3P(male)-3P(female) 330mm UL1007 22AWG		PRE CN1 TO AMP CN100
0014	HA02238	wire-RS	2P-2P 160mm UL1185 26AWG		PRE CN3 TO AMP CN101
0015	HA05345	wire-RS	250mm UL1015 18AWG		to OUT1-HI
0016	HA03186	wire	100mm UL1015 14AWG		GND
0017	HA02710	wire-RS	100mm UL1015 14AWG		GND

Rank	Part No	Description	Specification	Insert Location	Remark
0018	HC00873	terminal block-RS	5ESDP-02P		
0019	HE00141	fan-RS	DC12V/4000RPM 80*80*15mm 480mm 2.5 2P		
0020	MG00020	screw	M3*8		L shaped bracket*4
0021	HA01054	wire-RS	2P-2P 180mm UL1185 26AWG		PRE CN6 TO AMP CN102
0022	HA00448	wire-RS	50mm blue L5R5		terminal block
0023	NI06123	knob-RS-CT	9.2*9.2*7.3(3.3*3.3)_V1.0		
0024	MC01108	top cover-RS	DM 350W+65W 1.2t*115.7*11*200_V1.3		
0025	HA02536	wrie	145mm UL1617 18AWG brown		AC SW to AMP
0026	HA02535	wrie	145mm UL1617 18AWG black		AC SW to AMP
0027	HA04143	wire	100mm UL1015 18AWG brown		AC SW to AC inlet
0028	HA04141	wire	100mm UL1015 18AWG blue		AC SW to AC inlet
0029	MG00918	screw-RS	M2.6*9		MIC jack*6
0030	HK13110	PC board-RS	P-TS112A PRE-EQ-DIP		
0001	HC00259	connector(male)	8P 2.0mm 180°	CN4	
0002	HK13114	PC board-RS	P-TS112A PRE-EQ-AI		
0001	CB00411	electrolytic capacitor-RS	100uF/16V 105 5*11mm	C135,C147,C148,C149,C150	
0002	CB00260	electrolytic capacitor	47uF/35V 5*11mm 2.5mm	C92,C93,C94,C95,C96,C97,C98,C99,C103,C104	
0003	CB00251	electrolytic capacitor	220UF/25V 8*11mm	C154,C155	
0004	HK13112	PC board-RS	P-TS112A PRE-EQ-SMD		
0001	SG00122	SMD integrated circuit-RS-ACT	NJM4580M-TE3(SOP8)/(JRC)	U26,U27,U31,U21,U22,U23,U24,U25,U32,U33,U34,U35,U36	
0002	RD00201	SMD precise resistor 1/10W	1.50K ±1% 0603	R143,R223	
0003	RD00275	SMD precise resistor 1/10W	110 ±1% 0603	R140,R160	
0004	RD00214	SMD precise resistor 1/10W	10.0K ±1% 0603	R116,R117,R118,R119,R120,R121,R122	
0005	RD00360	SMD precise resistor 1/10W	121 ±1% 0603	R166	
0006	RD00217	SMD precise resistor 1/10W	14.0K ±1% 0603	R91,R92,R93,R94,R221,R222	
0007	RD00200	SMD precise resistor 1/10W	150 ±1% 0603	R123,R124,R125	
0008	RD00368	SMD precise resistor 1/10W	16.5K ±1% 0603	R159	
0009	RD00219	SMD precise resistor 1/10W	20.0K ±1% 0603	R149,R150,R151,R152,R153,R201	
0010	RD00203	SMD precise resistor 1/10W	2.00K ±1% 0603	R99,R110,R111,R112,R113	
0011	RD00323	SMD precise resistor 1/10W	3.09K ±1% 0603	R154,R155,R156,R157	
0012	RD00370	SMD precise resistor 1/10W	33.2K ±1% 0603	R161	
0013	RD00324	SMD precise resistor 1/10W	4.12K ±1% 0603	R87,R88	
0014	RD00286	SMD precise resistor 1/10W	4.53K ±1% 0603	R142	
0015	RD00415	SMD precise resistor 1/10W	4.70K ±1% 0603	R217	
0016	RD00210	SMD precise resistor 1/10W	5.11K ±1% 0603	R126,R127,R128,R129,R130,R131,R132,R133,R134,R135,R136,R218	
0017	RD00365	SMD precise resistor 1/10W	5.62K ±1% 0603	R97,R98,R224	
0018	RD00299	SMD precise resistor 1/10W	5.76K ±1% 0603	R147,R148,R158	
0019	RD00371	SMD precise resistor 1/10W	51.1K ±1% 0603	R137,R138,R139,R167	
0020	RD00300	SMD precise resistor 1/10W	6.04K ±1% 0603	R162	
0021	RD00287	SMD precise resistor 1/10W	6.34K ±1% 0603	R163,R164,R165	
0022	RD00326	SMD precise resistor 1/10W	6.80K ±1% 0603	R95,R96,R226,R227	
0023	RD00289	SMD precise resistor 1/10W	8.06K ±1% 0603	R114,R115	
0024	RD00327	SMD precise resistor 1/10W	8.20K ±1% 0603	R89,R90	
0025	RD00473	SMD precise resistor 1/10W	18.0K ±1% 0603	R200	
0026	RD00339	SMD precise resistor 1/10W	47.0K ±1% 0603	R204,R210,R214,R220,R225,R230	
0027	RD00338	SMD precise resistor 1/10W	9.10K ±1% 0603	R202,R203,R205	
0028	RD00445	SMD precise resistor 1/10W	2.43K ±1% 0603	R206,R207	
0029	RD00321	SMD precise resistor 1/10W	1.20K ±1% 0603	R208,R228	
0030	RD00506	SMD precise resistor 1/10W	3.30K ±1% 0603	R209	
0031	RD00334	SMD precise resistor 1/10W	11.0K ±1% 0603	R211,R212	
0032	RD00322	SMD precise resistor 1/10W	2.70K ±1% 0603	R213	
0033	RD00721	SMD fixed resistor-RS 1/10W	22.1K ±1% 0603	R215,R216	
0034	RD00510	SMD precise resistor 1/10W	6.20K ±1% 0603	R219	
0035	RD00406	SMD precise resistor 1/10W	3.60K ±1% 0603	R229	
0036	RD00541	SMD precise resistance 1/10W	0 ±1% 0603	R100	
0037	CI00129	SMD ceramic capacitor 0603	0.0015uF/50V X7R ±10%	C136,C151	
0038	CI00071	SMD ceramic capacitor 0603	0.01uF/50V X7R ±10%	C119,C120,C121,C122	

Rank	Part No	Description	Specification	Insert Location	Remark
0039	CI00123	SMD ceramic capacitor 0603	0.027uF/50V X7R ±10%	C145,C146	
0040	CI00109	SMD ceramic capacitor 0603	20PF/50V C0G±5%(C1608C0G1H200JT)/TDK	C125,C126,C127,C128,C129,C130,C131,C132,C133,C134	
0041	CI00234	SMD ceramic capacitor 0603	0.0033uF/50VC0G±5%(C1608C0G1H332JT)/TDK	C142,C143	
0042	CI00206	SMD ceramic capacitor 0603	0.047uF/50V ±10%(C1608X7R1H473KT)/TDK	C123,C124	
0043	CI00211	SMD ceramic capacitor 0603	0.15uF/25V X7R±10%(C1608X7R1E154KT)/TDK	C138,C139	
0044	CI00217	SMD ceramic capacitor 0603	100PF/50V C0G ±5%(C1608C0G1H101JT)/TDK	C89,C90,C91	
0045	CI00201	SMD ceramic capacitor 0603	0.01uF/50V ±10%(C1608X7R1H103KT)/TDK	C105,C106,C107,C108,C109,C110,C111,C112,C113,C114,C115,C116,C117,C118,C156,C157,C158,C159,C160,C161,C162,C163,C164,C165,C166,C167	
0046	CI00223	SMD ceramic capacitor 0603	390PF/50V C0G ±5%(C1608C0G1H391JT)/TDK	C141	
0047	CI00226	SMD ceramic capacitor 0603	680PF/50V C0G ±5%(C1608C0G1H681JT)/TDK	C140	
0048	AE00553	SenJu solder paste	M705-GRN360-K2-V 0.5KG/bottle		
0049	HB03332	PCB-RS	TS112A EQ PRE_VER110324		
0003	AC00603	lead free soldering bar	S100		
0031	HK13009	PC board-RS	P-TS112A PRE-DIP		
0001	CF00014	metal-film capacitor MEC	0.01uF/400V 10%	C14	
0002	SA00105	zener diode	1W 12V 1N4742	ZD1,ZD2,ZD3,ZD4,ZD6,ZD7,ZD8,ZD9	
0003	CB00065	electrolytic capacitor	470uF/25V 10*16mm	C32,C33	
0004	HC00076	connector(male)	2P 2.5mm 180°	CN2,CN3,CN6	
0005	HC00077	connector(male)	3P 2.5mm 180°	CN1	
0006	HC00392	balance MIC jack-RS	JY-5030-030G 180°	MIC2	
0007	HI00162	push-button switch	2 paragraphs 6p PS-22E8552L	SW2,SW3	
0008	SB00014	Photodiode-RS-ACT	VTL5C4	D3	
0009	SA00053	L.E.D	3 round(red)long foot 26mm	DL1	
0010	SA00052	L.E.D	3 round(green)long foot 26	DL2	
0011	NI04453	LED spacer support-RS	LEDS-21 21mm	DL1,DL2	
0012	AC00603	lead free soldering bar	S100		
0013	HK13013	PC board-RS	P-TS112A PRE-AI		
0001	SB00034	transistor	2SC1815GR(SC43)/(TOSHIBA)	TR1	
0002	SB00033	transistor-RS-ACT	2SA1015-GR(SC43)/(TOSHIBA)	Q100	
0003	SB00096	transistor-RS-ACT	2SC2878A(SC43)/(TOSHIBA)	Q102	
0004	CB00263	electrolytic capacitor	10uF /25V 4*7mm	C100	
0005	CB00194	electrolytic capacitor	47uF/25V 5*11mm	C1,C2,C7,C8,C9,C11,C64,C66,C67,C70	
0006	CB00248	electrolytic capacitor	2.2uF/50V 4*5mm	C101,C18,C19	
0007	CB00406	electrolytic capacitor-RS	220uF/16V 105 6.3*11mm	C102	
0008	CF00243	metal-film capacitor-RS	0.027uF/100V 5% CASE01	C20	
0009	CF00148	metal-film capacitor	0.0033uF/100V 5% CASE01	C47,C48	
0010	CF00019	metal-film capacitor MSC	0.015uF/100V 5% CASE01	C34,C35	
0011	CF00242	metal-film capacitor-RS	0.0056uF/100V 5% CASE01	C44,C45,C46	
0012	CF00183	metal-film capacitor MSC	0.1uF/100V 5% CASE01	C15,C16	
0013	CF00016	metal-film capacitor MSC	0.01uF/100V 5% CASE01	C21	
0014	CF00166	metal-film capacitor ESK	0.0027uF/100V 5% CASE01	C55	
0015	HK13011	PC board-RS	P-TS112A PRE-SMD		
0001	CI00029	SMD ceramic capacitor 0805	0.1uF/50V Y5V	C22,C23,C24,C25,C26,C27,C28,C29,C30,C31,C42,C43,C49,C50,C51,C52,C53,C54,C57,C58,C59,C60,C61,C62,C71,C72	
0002	RD00002	SMD fixed resistor 1/8W	0.0 ±5% 0805	R18,R64,R66A,R108,ZD5,R38	
0003	RD00006	SMD fixed resistor 1/8W	100 ±5% 0805	R25,R62	
0004	RD00049	SMD fixed resistor 1/8W	100K ±5% 0805	R31,R32,R37,R39,R103,R104	
0005	RD00032	SMD fixed resistor 1/8W	10K ±5% 0805	R8,R9,R10,R15,R20,R29,R30,R33B,R35,R36,R40,R42,R43,R46,R47,R49,R54,R55,R56,R57,R70,R77,R79	
0006	CI00001	SMD ceramic capacitor 0805	10PF/50V NPO	C17	
0007	RD00682	SMD precise resistor-RS 1/8W	13.0K ±1% 0805	R53	
0008	RD00050	SMD fixed resistor 1/8W	150K ±5% 0805	R17	
0009	RD00034	SMD fixed resistor 1/8W	15K ±5% 0805	R3	
0010	RD00018	SMD fixed resistor 1/8W	1.0K ±5% 0805	R21,R22	
0011	RD00056	SMD fixed resistor 1/8W	1.0M ±5% 0805	R7,R78	
0012	RD00227	SMD precise resistor 1/8W	200 ±1% 0805	R105,R106	



Rank	Part No	Description	Specification	Insert Location	Remark
0013	RD00230	SMD precise resistor 1/8W	470 ±1% 0805	R14	
0014	RD00037	SMD fixed resistor 1/8W	20K ±5% 0805	R11,R71,R72	
0015	RD00052	SMD fixed resistor 1/8W	220K ±5% 0805	R23	
0016	RD00038	SMD fixed resistor 1/8W	22K ±5% 0805	R101	
0017	CI00007	SMD ceramic capacitor 0805	22PF/50V NPO	C3,C4,C5,C6,C63,C65,C68,C69,C36,C37,C39,C40,C41	
0018	RD00022	SMD fixed resistor 1/8W	2.0K ±5% 0805	R26,R28	
0019	RD00625	SMD precise resistor-RS 1/8W	3.32K ±1% 0805	R27	
0020	RD00012	SMD fixed resistor 1/8W	330 ±5% 0805	R73	
0021	RD00024	SMD fixed resistor 1/8W	3K ±5% 0805	R107	
0022	RD00045	SMD fixed resistor 1/8W	51K ±5% 0805	R109	
0023	RD00027	SMD fixed resistor 1/8W	4.7K ±5% 0805	R1,R2,R33,R74,R4,R5,R34,R76	
0024	RD00044	SMD fixed resistor 1/8W	47K ±5% 0805	R75	
0025	CI00012	SMD ceramic capacitor 0805	47PF/50V NPO	C12,C13,C38	
0026	RD00030	SMD fixed resistor 1/8W	6.8K ±5% 0805	R13,R24	
0027	RD00031	SMD fixed resistor 1/8W	7.5K ±5% 0805	R58	
0028	SE00011	SMD rectifier diode	RLS4148 0.5A (LL-34)	D1,D2,D100,D101,D102,D103	
0029	SG00122	SMD integrated circuit-RS-ACT	NJM4580M-TE3(SOP8)/(JRC)	U1,U2,U3,U4,U5,U6,U7,U8,U9,U10,U11,U12	
0030	AE00553	SenJu solder paste	M705-GRN360-K2-V 0.5KG/bottle		
0031	RD00228	SMD precise resistor 1/8W	220 ±1% 0805	R6,R66	
0032	RD00035	SMD fixed resistor 1/8W	16K ±5% 0805	R12	
0033	RD00675	SMD fixed resistor-RS 1/8W	4.12K ±1% 0805	R41	
0034	RD00026	SMD fixed resistor 1/8W	3.9K ±5% 0805	R51	
0035	HB03331	PCB-RS	TS112A PRE(1*4)_VER110324		
0036	RD00481	SMD fixed resistor 1/8W	8.2K ±5% 0805	R50	
0014	HA03127	wire-RS	8P(male)-8P(female) 150mm UL1007 28AWG	CP4	
0015	HA01919	jump	5mm	C56	
0016	CG00063	filter-EMI FILTER	LF-22UH(WAH TAYI)	L1,L2,L3,L4	
0017	RA01258	fixed resistor 1/4W	10	R16	
0018	RA01114	fixed resistor 1/4W	2.2K	R102	
0019	RA01234	fixed resistor 1/4W	4.7K	R100	
0020	HC01212	balance MIC jack-RS	K6X01V-6-3A	MIC1,MIC3	
0021	RC00230	potentiometer	A100K R0911NOB-V1-A104FN00-00	VR1,VR2	
0022	RA01271	fixed resistor 1/4W	5.1K		back solder on VR1 PIN2&C7 - ; VR2 PIN2&C64-
0032	MG00261	copper pillar	M3*8.5*0.5PH		fix EQ board
0033	HA05536	wire-RS	280mm UL1007 18AWG		LOW OUT
0034	HK13138	PC board-RS	P-DM 350W+65W MAIN-DIP		
0001	MB06319	chassis-RS	DM 350W+65W(ME00221)_V1.2		
0002	NI05590	barrier-RS	DM 350W+65W 0.5t*110*115_V1.0		
0003	ME00016	color nut	4m/m		
0004	ME00226	screw-RS	M3*0.5PH		IC*3+tab*3+Z tab*1+GND*1
0005	MF00038	washer-RS	4* 7*1t		
0006	MG00162	screw	M3*8		latch Q104,Q105+fix PCB*7PCS
0007	MG00566	screw	M3*10*0.5PH_V1.0		IC*3PCS+tab*3PCS+Z tab*1PCS
0008	MI00178	heat-sink piece	MB217*25m/m*1PIN		latch Q104,Q105
0009	MJ00344	solder plate	AMP		
0010	MK00103	spring piece	0.5t*22.67*6.5*42.5_V1.0		latch Q102, Q103
0011	MK00115	spring-RS	1.0T*7.6*13*34.2(ML00004)_V 1.3		latchU1
0012	NC00129	mica-RS	PSA-31300 45*24*0.1t_V1.1		latch U1
0013	NC00167	mica-RS	13*18( 3.6)TO-220		latch Q104,Q105
0014	NC01179	insulator spacer-RS	0.13t*40mm*55mm(HI-FLOW-625)		latch Q102, Q103
0015	AD00012	twin adhesive-RS	90*120mm_V1.0		ZD-barrier
0016	NI04253	sleeve-RS	28*50M T-2		MK00103
0017	NI00224	sleeve	1*10mm		PR1
0018	AC00603	lead free soldering bar	S100		
0019	NE19290	label-RS-CT	DM 350W+65W_V1.0		
0020	NE19289	label-RS	DM350W+65W_V1.0		
0021	NI02249	plastic washer	TW-1(TO-220)		latch Q104,Q105

Rank	Part No	Description	Specification	Insert Location	Remark
	0022	HA01219	wire-RS	40mm UL1015 18AWG	JP300
	0023	CB00049	electrolytic capacitor	100uF/35V 8*11mm	C140,C141
	0024	CB00156	electrolytic capacitor	4700uF/63V 25*35mm	C133,C135
	0025	CB00170	electrolytic capacitor	1000uF/100V 18*35.5mm	C115,C116
	0026	CB00321	electrolytic capacitor-RS	470uF/180V 25*25mm	C124,C125
	0027	CB00322	electrolytic capacitor-RS	820uF/35V 105 WL 10*30mm(JAMICON)	C160,C161
	0028	CF00033	metal-film capacitor MEF	0.1uF/250V 10%	C111,C113,C114
	0029	CF00059	metal-film capacitor FKP	220PF/630V (PFR5 221J630J11L4)	C109
	0030	CF00222	metal-film capacitor-RS MKT	1.0uF/250V 5%(BFC237341105)	C110
	0031	CF00223	metal-film capacitor-RS MKP	0.068uF/630V 5%(BFC238320683)	C138,C139
	0032	CG00018	filter-EMI FILTER	LF-22UH(WAH TAYI)	L101
	0033	CG00023	X1/Y1 capacitor	0.0022uF/250VAC Y5U	C120,C121,C122,C123
	0034	CG00056	X2 capacitor	0.47uF/275VAC	C118,C119
	0035	CG00065	X2-capacitor MPX	1.0uF/275V VDE/UL/CSA	C117
	0036	CN00069	inductance-EMI SUPPRESSOR-RS-ACT	TB36-13-850485	L106,L107
	0037	CN00160	inductance	2.7mH 0.7*28.5T	L104,L105
	0038	CN00265	fixed inductance-RS	20uH/10A QY-10623218-01	L103
	0039	HA01919	jump	5mm	L102B
	0040	HA02441	jump	7.5mm	R401
	0041	HC00063	FUSE holder	JEF-501 (5.2mm)	
	0042	HC00076	connector(male)	2P 2.5mm 180°	CN104,CN105,CN102,CN101
	0043	HC00077	connector(male)	3P 2.5mm 180°	CN100
	0044	HC00134	connector	2.54 180° 2P(gold-plated) 6/11.6mm	CON107
	0045	HC00324	connect terminal	6.5m/m (PC250)	J101,J102,J103,J104,J105,J106
	0046	HC00858	terminal block-RS	2P 2EHDV-02P male	J107
	0047	HD00011	glass tube fuse	5A 250V 5.2*20mm CSA/S/UL/VDE	F101,F102
	0048	HD00114	ceramic tube fuse-RS	6.3A 250V 5.2*20mm CSA/PSE/UL/VDE	F100
	0049	RA00006	metal-oxide-film resistor 1W	10	R106,R131
	0050	RA00009	metal-oxide-film resistor 1W	47	R175
	0051	RA00015	metal-oxide-film resistor 1W	1K	R133,R176
	0052	RA00051	metal-oxide-film resistor 2W	5.6	R178
	0053	RA00150	fixed resistor 1/2W	100K	R148,R149
	0054	RA01409	fixed resistor 1/8W	1	D127
	0055	RA01451	chassis bracket 7W	0.1 ±5% SQP type	R168
	0056	RA01724	metal-oxide-film resistor-RS	1 ±5%	R170,R172,R184
	0057	RG00012	over current protector	0.5A 60V MF-R050	R186
	0058	RH00013	thermistor	47K (M891 B57891-M473-J)	R115
	0059	RH00033	thermistor-RS-CT	5 B57235S-0509M000/(EPCOS)	R147
	0060	RH00037	thermistor-RS-ACT	330 PTFL04BG222Q2N34B0/(MURATA)	PR1,R119
	0061	SA00004	high speed diode-RS	2A/100V BYV27-200,113	D114,D115
	0062	SA00094	rectifier diode	1N4002/100V	D401
	0063	SA00134	diode-RS-ACT	6A/200V/35ns FE6D	D122,D123,D124,D125
	0064	SA00220	diode	3A/600V SF38	D128,D129,D130,D134
	0065	SA00316	bridge rectifier-RS	8A GBU-8K/(PANJIT)	D116
	0066	SB00081	voltage stabilized transistor-RS-ACT	UTC78L05(TO92)/(UTC)	U8
	0067	SB00083	voltage stabilized transistor-RS-ACT	UTC79L05(TO92)/(UTC)	U10
	0068	SB00223	transistor-RS-CT	HGTG7N60A4D(TO247)/(FAIRCHILD)	Q102,Q103
	0069	SB00284	transistor-RS	IRFB4020PBF(TO220AB)/(IR)	Q104,Q105
	0070	SD00084	integrated circuit	TDA7294(MULTIWATT15)/(ST)	U1
	0071	SD00341	integrated circuit-RS-C	NJM7815FA(TO220F)/(JRC)	U6
	0072	SD00342	integrated circuit-RS-C	NJM7915FA(TO220F)/(JRC)	U9
	0073	SD00380	integrated circuit-RS	NJM7812FA(TO220F)/(JRC)	U7
	0074	SD00441	integrated circuit-RS-ACT	LM317T-0.55T(TO220)/(ST)	U400
	0075	TC00430	transistor-RS	PT-DM 350W+65W	T1
	0076	HK13141	PC board-RS	P-DM 350W+65W MAIN-AI	
	0001	CB00019	electrolytic capacitor	10uF/50V NP 5*11mm	C108
	0002	CB00177	electrolytic capacitor	22uF/50V 5*11mm	C150,C151,C152,C164,C165
	0003	CB00234	electrolytic capacitor	10uF/50V 6*7mm	C166,C167
	0004	CB00235	electrolytic capacitor	100uF/25V 6*11mm	C147,C148,C153,C401,C402,C403
	0005	CB00260	electrolytic capacitor	47uF/35V 5*11mm 2.5mm	C142,C143,C168

Rank	Part No	Description	Specification	Insert Location	Remark
0006	CB00412	electrolytic capacitor-RS	1.0uF/50V 105 4*7mm	C131	
0007	CF00141	metal-film capacitor MSC	0.0068uF/100V 5% CASE01	C132	
0008	CF00155	metal-film capacitor MSC	0.22uF/63V 5% CASE02	C177	
0009	CF00179	metal-film capacitor ESK	0.0022uF/100V 5% CASE01	C176	
0010	CF00183	metal-film capacitor MSC	0.1uF/100V 5% CASE01	C112,C169,C145,C170	
0011	HK13140	PC board-RS	P-DM 350W+65W MAIN-SMD		
0001	CI00061	SMD ceramic capacitor 0603	220PF/50V NPO ±5%	C103,C174	
0002	CI00075	SMD ceramic capacitor 0603	0.1uF/50V Y5V +80,-20%	C106,C107,C173,C100,C101,C102,C163,C175	
0003	CI00103	SMD ceramic capacitor 1206	100PF/50V NPO ±5%	C134	
0004	CI00136	SMD ceramic capacitor 1206	560PF/50V NPO ±5%	C126	
0005	CI00175	SMD ceramic capacitor 0603	1.0uF/16V X7R±10%(C1608X7R1C105KT)/TDK	C104	
0006	CI00195	SMD ceramic capacitor 1206	4.7uF/25V Y5V +80%,-20%	C178	
0007	CI00212	SMD ceramic capacitor1206	0.047uF/50V X7R ±5%	C127	
0008	CI00269	SMD ceramic capacitor-RS 1206	1.0uF/25V X7R ±10%	C146,C171,C172,C136,C128,C129,C130,C154	
0009	RD00059	SMD fixed resistor 1/10W	0.0 ±5% 0603	R158,R173,R114,R125	
0010	RD00065	SMD fixed resistor 1/10W	47 ±5% 0603	R144,R145,R118,R137,R157	
0011	RD00077	SMD fixed resistor 1/10W	390 ±5% 0603	R174	
0012	RD00083	SMD fixed resistor 1/10W	1.0K ±5% 0603	R107,R123,R143,R160,R188,R190,R177	
0013	RD00087	SMD fixed resistor 1/10W	2.0K ±5% 0603	R111,R113,R109,R134,R135	
0014	RD00101	SMD fixed resistor 1/10W	10K ±5% 0603	R191,R192,R150,R187,R189	
0015	RD00106	SMD fixed resistor 1/10W	27K ±5% 0603	R104	
0016	RD00116	SMD fixed resistor 1/10W	100K ±5% 0603	R100,R101,R117,R122,R138,R140,R141,R142	
0017	RD00125	SMD fixed resistor 1/10W	1.0M ±5% 0603	R105	
0018	RD00129	SMD fixed resistor 1/4W	0.0 ±5% 1206	R108	
0019	RD00130	SMD fixed resistor 1/4W	10 ±5% 1206	R159,R167,R165,R166	
0020	RD00133	SMD fixed resistor 1/4W	100 ±5% 1206	R181,D400	
0021	RD00142	SMD fixed resistor 1/4W	10K ±5% 1206	R102	
0022	RD00145	SMD fixed resistor 1/4W	33K ±5% 1206	R164	
0023	RD00147	SMD fixed resistor 1/4W	100K ±5% 1206	R116,R146,R151,R152,R153,R154,R155,R156 ,R300,R301,R136	
0024	RD00247	SMD precise resistor 1/4W	2.20K ±1% 1206	R103,R161,R129,R185,R163	
0025	RD00303	SMD precise resistor 1/10W	57.6K ±1% 0603	R127	
0026	RD00417	SMD precise resistor 1/4W	27.0K ±1% 1206	R139	
0027	RD00428	SMD fixed resistor 1/4W	680 ±5% 1206	R162	
0028	RF00003	SMD semi-fixed resistor	EVN5ES X50B53-5K	P2	
0029	SE00011	SMD rectifier diode	RLS4148 0.5A (LL-34)	D100,D101,D104,D105,D106,D107,D108,D109, D110,D111,D120,D135,D136,D103,D133,D131, D132,D3	
0030	SE00012	SMD rectifier diode-RS	BAV103(PHI)	D2	
0031	SE00018	SMD zener diode-RS-ACT	1/2W 6.8V LL-34	D112,D113	
0032	SE00084	SMD zener diode-RS	1W 13V (ISMA4743)DO214AC/(PANJIT)	D118	
0033	SE00097	SMD diode-RS-CT	1A/400V US1G(DO214AC)/(VISHAY)	D117,D121,D300,D301,D5,D7	
0034	SF00082	transistor-RS-ACT	MMBT5401LT1G(SOT23)/(ON)	Q100,Q101	
0035	SG00122	SMD integrated circuit-RS-ACT	NJM4580M-TE3(SOP8)/(JRC)	U13	
0036	SG00306	SMD integrated circuit	LM393DR(TI)/(MEXICO)	U3,U4,U14	
0037	SG00495	SMD integrated circuit-RS	IR2156SPBF(SO14)/(IR)	U5	
0038	AE00553	SenJu solder paste	M705-GRN360-K2-V 0.5KG/bottle		
0039	SE00038	SMD L.E.D	green KPJA-2107SGD 90° 0802	DS2	
0040	RD00027	SMD fixed resistor 1/8W	4.7K ±5% 0805	R28	
0041	RD00484	SMD fixed resistor 1/8W	4.7 ±5% 0805	R23	
0042	RD00003	SMD fixed resistor 1/8W	10 ±5% 0805	R4,R8,R10	
0043	CL00006	SMD tantalum capacitor-RS-ACT	10uF/16V case B2	C4,C6,C16,C19	
0044	CL00028	SMD tantalum capacitor-RS	33uF/10V case B2 (NEC ESVB21A336M)	C11	
0045	RD00481	SMD fixed resistor 1/8W	8.2K ±5% 0805	R14	
0046	RD00025	SMD fixed resistor 1/8W	3.3K ±5% 0805	R6	
0047	RD00612	SMD precise resistor-RS 1/8W	4.99K ±1% 0805	R20	
0048	CI00021	SMD ceramic capacitor 0805	0.001uF/50V NPO ±5%	C2,C22,C24	

Rank	Part No	Description	Specification	Insert Location	Remark
0049	RD00024	SMD fixed resistor 1/8W	3K ±5% 0805	R53	
0050	CI00112	SMD ceramic capacitor 0805	0.01uF/50V X7R ±10%	C31	
0051	RD00018	SMD fixed resistor 1/8W	1.0K ±5% 0805	R22	
0052	RD00042	SMD fixed resistor 1/8W	33K ±5% 0805	R39,R44	
0053	RD00032	SMD fixed resistor 1/8W	10K ±5% 0805	R29,R42	
0054	SG00667	SMD integrated circuit-RS	IRS2092S(SOIC16N)/(IR)	U2	
0055	HB03330	PCB-RS	DM 350W+65W MAIN_VER110315		
0035	NC03371	insulation piece-RS	TS 112A 1t*86*86_V1.0		fan and barrier
0036	MA08851	panel-RS	TS112A MK ALTO CHINA_V1.1		
0037	HD00018	glass tube fuse	6.3A 250V 5.2*20mm CCEE/CSA/S/UL/VDE		
0038	NI02590	cable tie	YJ-203V0 UL94V-0		fix the GND
0039	MF00014	washer	3* 6.5*0.5t		PRE GND
0040	MG00269	screw-RS	M3*6		PRE *2+EQ*4
0027	MF00032	washer	6.3* 11*0.8t_V1.0		latch the handle
0028	MG00925	screw-RS	M5*50		plastic front panel and plastic rear cover*14
0029	HA01429	wire-RS	2P 795mm UL1007 24AWG		
0030	NI00246	sleeve	3*20mm		speaker front panel LED & cable soldering point
0031	SA00194	L.E.D	3		
0032	MG00935	screw-RS-CT	M4*20 441134020CN		latch the grille *6
0033	NA01121	silk wadding-RS-CT	TS112_V1.1		
0034	NI06073	cushion-RS-CT	ZEOX 15A 108.7*30.54mm black_V1.0		latch on handle
0035	NI06072	handle-RS-CT	ZEOX 15A 169.9*52.7mm black_V1.0		
0036	NI06071	fixed bracket-RS-CT-ABS	178*30 black_V1.1		
0037	ND01211	EV foam-RS-CT	1t* 26* 36 black_V1.0		on speakon bracket and tweeter bracket joint
0038	ND01212	EV foam-RS-CT	1t* 36* 45 black_V1.0		on speaker front panel and tweeter bracket
0039	NI06079	speaker rear cover-RS	ZEOX 12A 384*644*293 black_V1.0		
0040	NI06077	speaker panel-RS-CT	ZEOX 12A 383.7*639.66*127 black_V1.0		
0041	MD01554	iron net-RS	ZEOX 12A_V1.0		
0042	NE20841	label-RS-CT	TS112A_V1.1		unit(inside and outside)*2 , carton*1, manual*1
0043	NE20821	label-RS	TS112A_V1.0		unit*1
0044	NF03534	assurance card-RS	ALTO ALESIS_V1.0		
0045	NB06875	carton-RS-CT	TS112A ALTO_V1.3		
0046	MG00838	screw-RS	FLASH12 30.5*51.5_V1.0		
0047	MI05478	label-RS-ACT	ALESIS		
0048	MG00373	screw	M3*5mm		latch heat sink and tweeter speakon
0049	MI05479	heat-sink-RS-CT	TS 115A 3*30*15*36_V1.0		
0050	NI06135	fixed piece-RS-CT	TS 112A 5.12*54.66*54.66_V1.0		
0051	ND01228	EV foam-RS-CT	1t*50.5*50.5 black_V1.0		on back side of AL label and plastic fixed piece
0052	NF03558	user manual-RS	TS112A ALTO_V1.0		
0053	NE21070	label-RS-CT	Truesonic series_V1.0		on upper right corner of grille

Rank	Part No	Description	Specification	Insert Location	Remark
PC01750		SPEAKER	TS115A_ALTO_110-120V_CHINA_(NUMARK)		
0001	HK12819	speaker	15inch 200W 4Ω(TS115A)		
0001	NH00233	cover-RS	φ109.4*20		
0002	NH00237	cushion-RS	φ378*351*8 EVA_V1.2		
0003	ND00227	sponge	S0721B_NYLON NET D35		
0004	MI01613	bracket-RS	φ383*φ72*112 P:90_V1.1		
0005	MH01110	rivet	M0500A_OU-30		
0006	HC00426	terminal-RS	M0021B_PT2.1_V1.0		
0007	HA02493	strand	TA4X4YKA42W*110mm		
0008	MH02056	magnet-RS	ψ135*ψ57*19 Y30_V1.0		
0009	MH02077	T-shape middle pillar-RS	φ129*φ50*28.5*8 P:55_V1.1		
0010	NH00492	cone-RS	φ361*52.1*94.5 YD:HB380-126		
0011	HG00355	voice coil-RS	BASV2L 50.5*36*3.6*0.29 13.6_V1.0		
0012	MH02501	washer-RS	φ129*52.6*8 P:90_V1.0		
0013	ND01185	spider-RS	φ122.5*50.8*15 0.6/100g LK:D-1225_V1.0		
0014	NE20778	label-RS	HK12819_V1.0		
0002	NI05562	fixed board-RS-ABS	JH531φ102*φ26mm		latch tweeter
0003	MG00456	screw	M6*22*1.0PH		tweeter bracket and speakon bracket
0004	ME00130	nut-RS	M6*1.0PH		tweeter bracket and speakon bracket
0005	NI02728	rubber foot	φ29.5*14 black		
0006	MG00488	screw-RS	M3.5*15		rubber foot*4
0007	MG00411	screw	M14*26*1.0PH_V1.1		speaker rear cover hanging hole
0008	ME00116	nut	M14*5*1.0PH_V1.3		speaker rear cover hanging hole
0009	MF00089	washer-RS-ACT	φ27.5*φ14.8*1.4t_V1.2		speaker rear cover hanging hole
0010	MG00334	screw-RS	M3*16mm		front panel & speaker cabinet*12
0011	MG00843	screw-RS	M5*20*φ10		woofer *8
0012	MG00064	screw	M3*10		handle & handle cushion*6
0013	MG00511	screw-RS	M4*37_V1.1		tweeter bracket & speaker front panel* 4
0014	MG00842	screw-RS	M5*40*φ10		handle & speaker rear panel*4
0015	NI02250	MIC jack	φ17*φ23.5*9		
0016	ND00387	dustproof cloth-RS	700*430*0.35mm black_1.1		
0017	ND00270	absorb sound sponge	700*430*50		
0018	ND00398	EV foam	SR500A-SUB 1205.5*15*2_V1.0		back of woofer *1
0019	ND00468	EV foam	1.0t*1210*13.5_V1.0		on module front panel
0020	HG00428	speaker-RS	JS-J25204 8Ω 20W SCREW ON		
0021	HA00841	power cord(America 3P)	LT-202+18A*3C(SVT) 6FT+LT-501		
0022	HA02320	single terminal wiring	800mm UL1015 18AWG		tweeter connector
0023	HA02520	single terminal wiring	750mm UL1015 18AWG		woofer connector
0024	NI00218	cable tie	ALT-102SB		for wiring
0025	NA00880	PE bag-RS	0.03t*1200*800mm12 hole		unit
0026	NA00858	PE bag-RS	0.04t*240*160mm_V1.0		manual and warranty card
0027	HK12823	faceplate-RS	TS115A_ALTO_110-120V		
0001	MI05057	fixed bracket-RS	PMB8.350 UM 1.5t*122*66*12mm_V1.0		
0002	NI00218	cable tie	ALT-102SB		
0003	NI02386	knob-RS	φ14*13mm		1.VOLUME
0004	NI01862	key	5.5*5.5*14.5_V1.1		
0005	ME00016	color nut	4m/m		GND*1
0006	MF00038	washer-RS	φ4*φ7*1t		GND*1
0007	MF00048	washer-RS	φ4*φ8*0.5t		GND*1
0008	MG00162	screw	M3*8		AMP*4+MC01108*6
0009	MG00607	screw	M5*10		fix the fan*8
0010	MG00042	screw	M3*10		1.AC inlet
0011	HI00019	power switch	4P MSR-8		
0012	HC00008	AC socket	3515 A TYPE(RF-2004-C-4.8)		
0013	HA03670	wire	3P(male)-3P(female) 330mm UL1007 22AWG		PRE CN1 TO AMP CN100
0014	HA02238	wire-RS	2P-2P 160mm UL1185 26AWG		PRE CN3 TO AMP CN101
0015	HA05345	wire-RS	250mm UL1015 18AWG		to OUT1-HI
0016	HA03186	wire	100mm UL1015 14AWG		GND
0017	HA02710	wire-RS	100mm UL1015 14AWG		GND
0018	HC00873	terminal block-RS	5ESDP-02P		
0019	HE00141	fan-RS	DC12V/4000RPM 80*80*15mm 480mm 2.5 2P		
0020	MG00020	screw	M3*8		L shaped bracket*4
0021	HA01054	wire-RS	2P-2P 180mm UL1185 26AWG		PRE CN6 TO AMP CN102
0022	HA00448	wire-RS	50mm blue L5R5		terminal block
0023	NI06123	knob-RS-CT	9.2*9.2*7.3(3.3*3.3)_V1.0		
0024	MC01108	top cover-RS	DM 350W+65W 1.2t*115.7*11*200_V1.3		
0025	HA02536	wire	145mm UL1617 18AWG brown		AC SW to AMP
0026	HA02535	wire	145mm UL1617 18AWG black		AC SW to AMP

Rank	Part No	Description	Specification	Insert Location	Remark
0027	HA04143	wire	100mm UL1015 18AWG brown		AC SW to AC inlet
0028	HA04141	wire	100mm UL1015 18AWG blue		AC SW to AC inlet
0029	MG00918	screw-RS	M2.6*9		MIC jack*6
0030	HA05536	wire-RS	280mm UL1007 18AWG		LOW OUT
0031	HK13111	PC board-RS	P-TS115A PRE-EQ-DIP		
0001	HC00259	connector(male)	8P 2.0mm 180°	CN4	
0002	HK13115	PC board-RS	P-TS115A PRE-EQ-AI		
0001	CB00411	electrolytic capacitor-RS	100uF/16V 105 φ5*11mm	C147,C148,C149,C150,C135	
0002	CB00260	electrolytic capacitor	47uF/35V φ5*11mm 2.5mm	C92,C93,C94,C95,C96,C97,C98,C99,C103,C104	
0003	CB00251	electrolytic capacitor	220UF/25V φ8*11mm	C154,C155	
0004	HK13113	PC board-RS	P-TS115A PRE-EQ-SMD		
0001	RD00102	SMD fixed resistor 1/10W	12KΩ ±5% 0603	R63	
0002	SG00122	SMD integrated circuit-RS-ACT	NJM4580M-TE3(SOP8)(JRC)	IC28,IC29,IC30,U26,U27,U31,U21,U22,U23,U24,U25,U32,U33,U34,U35,U36	
0003	RD00201	SMD precise resistor 1/10W	1.50KΩ ±1% 0603	R143	
0004	RD00275	SMD precise resistor 1/10W	110Ω ±1% 0603	R140,R160,R213	
0005	RD00214	SMD precise resistor 1/10W	10.0KΩ ±1% 0603	R67,R68,R69,R80,R81,R116,R117,R118,R119,R120,R121,R122	
0006	RD00360	SMD precise resistor 1/10W	121Ω ±1% 0603	R166	
0007	RD00217	SMD precise resistor 1/10W	14.0KΩ ±1% 0603	R91,R92,R93,R94	
0008	RD00200	SMD precise resistor 1/10W	150Ω ±1% 0603	R123,R124,R125	
0009	RD00368	SMD precise resistor 1/10W	16.5KΩ ±1% 0603	R159,R211	
0010	RD00219	SMD precise resistor 1/10W	20.0KΩ ±1% 0603	R84,R149,R150,R151,R152,R153	
0011	RD00593	SMD precise resistor-RS 1/10W	22.6KΩ ±1% 0603	R83	
0012	RD00203	SMD precise resistor 1/10W	2.00KΩ ±1% 0603	R99,R110,R111,R112,R113,R209	
0013	RD00323	SMD precise resistor 1/10W	3.09KΩ ±1% 0603	R154,R155,R156	
0014	RD00370	SMD precise resistor 1/10W	33.2KΩ ±1% 0603	R161	
0015	RD00324	SMD precise resistor 1/10W	4.12KΩ ±1% 0603	R87,R88	
0016	RD00286	SMD precise resistor 1/10W	4.53KΩ ±1% 0603	R142	
0017	RD00415	SMD precise resistor 1/10W	4.70KΩ ±1% 0603	R45,R229	
0018	RD00386	SMD precise resistor 1/10W	4.75KΩ ±1% 0603	R65	
0019	RD00210	SMD precise resistor 1/10W	5.11KΩ ±1% 0603	R126,R127,R128,R129,R130,R131,R132,R133,R134,R135,R136	
0020	RD00365	SMD precise resistor 1/10W	5.62KΩ ±1% 0603	R82,R97,R98	
0021	RD00299	SMD precise resistor 1/10W	5.76KΩ ±1% 0603	R147,R148,R158	
0022	RD00371	SMD precise resistor 1/10W	51.1KΩ ±1% 0603	R137,R138,R139,R167	
0023	RD00822	SMD precise resistor 1/10W	5.60KΩ ±1% 0603	R44,R52,R59,R168,R169	
0024	RD00300	SMD precise resistor 1/10W	6.04KΩ ±1% 0603	R162	
0025	RD00287	SMD precise resistor 1/10W	6.34KΩ ±1% 0603	R163,R164,R165	
0026	RD00326	SMD precise resistor 1/10W	6.80KΩ ±1% 0603	R95,R96	
0027	RD00289	SMD precise resistor 1/10W	8.06KΩ ±1% 0603	R114,R115	
0028	RD00327	SMD precise resistor 1/10W	8.20KΩ ±1% 0603	R89,R90,R60,R61,R170,R171	
0029	CI00129	SMD ceramic capacitor 0603	0.0015uF/50V X7R ±10%	C136,C151	
0030	CI00071	SMD ceramic capacitor 0603	0.01uF/50V X7R ±10%	C119,C120,C121,C122	
0031	CI00123	SMD ceramic capacitor 0603	0.027uF/50V X7R ±10%	C145,C146	
0032	CI00065	SMD ceramic capacitor 0603	0.001uF/50V X7R ±10%	C71,C81	
0033	CI00109	SMD ceramic capacitor 0603	20PF/50V C0G±5%(C1608C0G1H200JT)/TDK	C125,C126,C127,C128,C129,C130,C131,C132,C133,C134	
0034	CI00174	SMD ceramic capacitor 0603	0.47uF/25V +80,-20%(C1608Y5V1E474ZT)/TDK	C74,C75,C76,C77	
0035	CI00348	SMD ceramic capacitor 0805	0.33uF/50V X7R ±10%	C78,C79,C152,C153	
0036	CI00234	SMD ceramic capacitor 0603	0.0033uF/50VC0G±5%(C1608C0G1H332JT)/TDK	C142,C143	
0037	CI00206	SMD ceramic capacitor 0603	0.047uF/50V ±10%(C1608X7R1H473KT)/TDK	C123,C124	
0038	CI00211	SMD ceramic capacitor 0603	0.15uF/25V X7R±10%(C1608X7R1E154KT)/TDK	C138,C139	
0039	CI00185	SMD ceramic capacitor 0603	0.1uF/50V X7R±10%(C1608X7R1H104KT)/TDK	C82,C83,C84,C85,C86,C87,C88	
0040	CI00217	SMD ceramic capacitor 0603	100PF/50V C0G ±5%(C1608C0G1H101JT)/TDK	C89,C90,C91	

Rank	Part No	Description	Specification	Insert Location	Remark
	0041	CI00201	SMD ceramic capacitor 0603	0.01uF/50V ±10%(C1608X7R1H103KT)/TDK	C105,C106,C107,C108,C109,C110,C111,C112,C113,C114,C115,C116,C117,C118,C156,C157,C158,C159,C160,C161,C162,C163,C164,C165,C166,C167
	0042	CI00223	SMD ceramic capacitor 0603	390PF/50V C0G ±5%(C1608C0G1H391JT)/TDK	C141
	0043	CI00055	SMD ceramic capacitor 0603	47PF/50V C0G±5%(C1608C0G1H470JT)/TDK	C10,C72,C73
	0044	CI00226	SMD ceramic capacitor 0603	680PF/50V C0G ±5%(C1608C0G1H681JT)/TDK	C140
	0045	CI00227	SMD ceramic capacitor 0603	820PF/50V C0G ±5%(C1608C0G1H821JT)/TDK	C80
	0046	AE00553	SenJu solder paste	M705-GRN360-K2-V 0.5KG/bottle	
	0047	RD00322	SMD precise resistor 1/10W	2.70KΩ ±1% 0603	R157
	0048	RD00302	SMD precise resistor 1/10W	28.0KΩ ±1% 0603	R85,R86
	0049	RD00332	SMD precise resistor 1/10W	680Ω ±1% 0603	R228
	0050	RD00330	SMD precise resistor 1/10W	39.0KΩ ±1% 0603	R226,R227
	0051	RD00445	SMD precise resistor 1/10W	2.43KΩ ±1% 0603	R224
	0052	RD00701	SMD precise resistor-RS	2.20KΩ ± 0.1% 0603	R223
	0053	RD00450	SMD precise resistor 1/10W	48.7KΩ ±1% 0603	R221,R222
	0054	RD00349	SMD fixed resistor 1/10W	910Ω ±5% 0603	R219
	0055	RD00334	SMD precise resistor 1/10W	11.0KΩ ±1% 0603	R217
	0056	RD00329	SMD precise resistor 1/10W	30.0KΩ ±1% 0603	R215,R216
	0057	RD00321	SMD precise resistor 1/10W	1.20KΩ ±1% 0603	R208,R218
	0058	RD00338	SMD precise resistor 1/10W	9.10KΩ ±1% 0603	R206,R207
	0059	RD00385	SMD precise resistor 1/10W	3.01KΩ ±1% 0603	R205
	0060	RD00339	SMD precise resistor 1/10W	47.0KΩ ±1% 0603	R204,R210,R214,R220,R225,R230
	0061	RD00483	SMD precise resistor 1/10W	16.0KΩ ±1% 0603	R202,R203,R212
	0062	RD00221	SMD precise resistor 1/10W	27.4KΩ ±1% 0603	R200,R201
	0063	HB03332	PCB-RS	TS112A EQ PRE_VER110324	
	0003	AC00603	lead free soldering bar	S100	
	0032	MG00261	copper pillar	M3*8.5*0.5PH	fix EQ board
	0033	HK13138	PC board-RS	P-DM 350W+65W MAIN-DIP	
	0001	MB06319	chassis-RS	DM 350W+65W(ME00221)_V1.2	
	0002	NI05590	barrier-RS	DM 350W+65W 0.5*110*115_V1.0	
	0003	ME00016	color nut	4m/m	
	0004	ME00226	screw-RS	M3*0.5PH	IC*3+tab*3+Z tab*1+GND*1
	0005	MF00038	washer-RS	φ4*φ7*1t	
	0006	MG00162	screw	M3*8	latch Q104,Q105+fix PCB*7PCS
	0007	MG00566	screw	M3*10*0.5PH_V1.0	IC*3PCS+tab*3PCS+Z tab*1PCS
	0008	MI00178	heat-sink piece	MB217*25m/m*1PIN	latch Q104,Q105
	0009	MJ00344	solder plate	AMP	
	0010	MK00103	spring piece	0.5t*22.67*6.5*42.5_V1.0	latch Q102, Q103
	0011	MK00115	spring-RS	1.0T*7.6*13*34.2(ML00004)_V 1.3	latchU1
	0012	NC00129	mica-RS	PSA-31300 45*24*0.1t_V1.1	latch U1
	0013	NC00167	mica-RS	13*18(φ3.6)TO-220	latch Q104,Q105
	0014	NC01179	insulator spacer-RS	0.13t*40mm*55mm(HI-FLOW-625)	latch Q102, Q103
	0015	AD00012	twin adhesive-RS	90*120mm_V1.0	ZD-barrier
	0016	NI04253	sleeve-RS	φ28*50M T-2	MK00103
	0017	NI00224	sleeve	φ1*10mm	PR1
	0018	AC00603	lead free soldering bar	S100	
	0019	NE19290	label-RS-CT	DM 350W+65W_V1.0	
	0020	NE19289	label-RS	DM350W+65W_V1.0	
	0021	NI02249	plastic washer	TW-1(TO-220)	latch Q104,Q105
	0022	HA01219	wire-RS	40mm UL1015 18AWG	JP300
	0023	CB00049	electrolytic capacitor	100uF/35V φ8*11mm	C140,C141
	0024	CB00156	electrolytic capacitor	4700uF/63V φ25*35mm	C133,C135
	0025	CB00170	electrolytic capacitor	1000uF/100V φ18*35.5mm	C115,C116
	0026	CB00321	electrolytic capacitor-RS	470uF/180V φ25*25mm	C124,C125
	0027	CB00322	electrolytic capacitor-RS	820uF/35V 105 WL φ10*30mm(JAMICON)	C160,C161
	0028	CF00033	metal-film capacitor MEF	0.1uF/250V 10%	C111,C113,C114
	0029	CF00059	metal-film capacitor FKP	220PF/630V (PFR5 221J630J11L4)	C109
	0030	CF00222	metal-film capacitor-RS MKT	1.0uF/250V 5%(BFC237341105)	C110
	0031	CF00223	metal-film capacitor-RS MKP	0.068uF/630V 5%(BFC238320683)	C138,C139
	0032	CG00018	filter-EMI FILTER	LF-22UH(WAH TAYI)	L101
	0033	CG00023	X1/Y1 capacitor	0.0022uF/250VAC Y5U	C120,C121,C122,C123
	0034	CG00056	X2 capacitor	0.47uF/275VAC	C118,C119
	0035	CG00065	X2-capacitor MPX	1.0uF/275V VDE/UL/CSA	C117
	0036	CN00069	inductance-EMI SUPPRESSOR-RS-ACT	TB36-13-850485	L106,L107

Rank	Part No	Description	Specification	Insert Location	Remark
	0037	CN00160	inductance	2.7mH $\phi$ 0.7*28.5T	L104,L105
	0038	CN00265	fixed inductance-RS	20uH/10A QY-10623218-01	L103
	0039	HA01919	jump	5mm	L102B
	0040	HA02441	jump	7.5mm	R401
	0041	HC00063	FUSE holder	JEF-501 (5.2mm)	
	0042	HC00076	connector(male)	2P 2.5mm 180°	CN104,CN105,CN102,CN101
	0043	HC00077	connector(male)	3P 2.5mm 180°	CN100
	0044	HC00134	connector	2.54 180° 2P(gold-plated) 6/11.6mm	CON107
	0045	HC00324	connect terminal	6.5m/m (PC250)	J101,J102,J103,J104,J105,J106
	0046	HC00858	terminal block-RS	2P 2EHDV-02P male	J107
	0047	HD00011	glass tube fuse	5A 250V $\phi$ 5.2*20mm CSA/S/UL/VDE	F101,F102
	0048	HD00114	ceramic tube fuse-RS	6.3A 250V $\phi$ 5.2*20mm CSA/PSE/UL/VDE	F100
	0049	RA00006	metal-oxide-film resistor 1W	10 $\Omega$	R106,R131
	0050	RA00009	metal-oxide-film resistor 1W	47 $\Omega$	R175
	0051	RA00015	metal-oxide-film resistor 1W	1K $\Omega$	R133,R176
	0052	RA00051	metal-oxide-film resistor 2W	5.6 $\Omega$	R178
	0053	RA00150	fixed resistor 1/2W	100K $\Omega$	R148,R149
	0054	RA01409	fixed resistor 1/8W	1 $\Omega$	D127
	0055	RA01451	chassis bracket 7W	0.1 $\Omega$ $\pm$ 5% SQP type	R168
	0056	RA01724	metal-oxide-film resistor-RS	1 $\Omega$ $\pm$ 5%	R170,R172,R184
	0057	RG00012	over current protector	0.5A 60V MF-R050	R186
	0058	RH00013	thermistor	47K $\Omega$ (M891 B57891-M473-J)	R115
	0059	RH00033	thermistor-RS-CT	5 $\Omega$ B57235S-0509M000/(EPCOS)	R147
	0060	RH00037	thermistor-RS-ACT	330 $\Omega$ PTFLO4BG22Q2N34B0/(MURATA)	PR1,R119
	0061	SA00004	high speed diode-RS	2A/100V BYV27-200,113	D114,D115
	0062	SA00094	rectifier diode	1N4002/100V	D401
	0063	SA00134	diode-RS-ACT	6A/200V/35ns FE6D	D122,D123,D124,D125
	0064	SA00220	diode	3A/600V SF38	D128,D129,D130,D134
	0065	SA00316	bridge rectifier-RS	8A GBU-8K/(PANJIT)	D116
	0066	SB00081	voltage stabilized transistor-RS-ACT	UTC78L05(TO92)/(UTC)	U8
	0067	SB00083	voltage stabilized transistor-RS-ACT	UTC79L05(TO92)/(UTC)	U10
	0068	SB00223	transistor-RS-CT	HGTG7N60A4D(TO247)/(FAIRCHILD)	Q102,Q103
	0069	SB00284	transistor-RS	IRFB4020PBF(TO220AB)/(IR)	Q104,Q105
	0070	SD00084	integrated circuit	TDA7294(MULTIWATT15)/(ST)	U1
	0071	SD00341	integrated circuit-RS-C	NJM7815FA(TO220F)/(JRC)	U6
	0072	SD00342	integrated circuit-RS-C	NJM7915FA(TO220F)/(JRC)	U9
	0073	SD00380	integrated circuit-RS	NJM7812FA(TO220F)/(JRC)	U7
	0074	SD00441	integrated circuit-RS-ACT	LM317T-0.55T(TO220)/(ST)	U400
	0075	TC00430	transistor-RS	PT-DM 350W+65W	T1
	0076	HK13141	PC board-RS	P-DM 350W+65W MAIN-AI	
	0001	CB00019	electrolytic capacitor	10uF/50V NP $\phi$ 5*11mm	C108
	0002	CB00177	electrolytic capacitor	22uF/50V $\phi$ 5*11mm	C150,C151,C152,C164,C165
	0003	CB00234	electrolytic capacitor	10uF/50V $\phi$ 6*7mm	C166,C167
	0004	CB00235	electrolytic capacitor	100uF/25V $\phi$ 6*11mm	C147,C148,C153,C401,C402,C403
	0005	CB00260	electrolytic capacitor	47uF/35V $\phi$ 5*11mm 2.5mm	C142,C143,C168
	0006	CB00412	electrolytic capacitor-RS	1.0uF/50V 105 $\phi$ 4*7mm	C131
	0007	CF00141	metal-film capacitor MSC	0.0068uF/100V 5% CASE01	C132
	0008	CF00155	metal-film capacitor MSC	0.22uF/63V 5% CASE02	C177
	0009	CF00179	metal-film capacitor ESK	0.0022uF/100V 5% CASE01	C176
	0010	CF00183	metal-film capacitor MSC	0.1uF/100V 5% CASE01	C112,C169,C145,C170
	0011	HK13140	PC board-RS	P-DM 350W+65W MAIN-SMD	
	0001	CI00061	SMD ceramic capacitor 0603	220PF/50V NPO $\pm$ 5%	C103,C174
	0002	CI00075	SMD ceramic capacitor 0603	0.1uF/50V Y5V +80,-20%	C106,C107,C173,C100,C101,C102,C163,C175
	0003	CI00103	SMD ceramic capacitor 1206	100PF/50V NPO $\pm$ 5%	C134
	0004	CI00136	SMD ceramic capacitor 1206	560PF/50V NPO $\pm$ 5%	C126
	0005	CI00175	SMD ceramic capacitor 0603	1.0uF/16V X7R $\pm$ 10%(C1608X7R1C105KT)/TDK	C104
	0006	CI00195	SMD ceramic capacitor 1206	4.7uF/25V Y5V +80%,-20%	C178
	0007	CI00212	SMD ceramic capacitor1206	0.047uF/50V X7R $\pm$ 5%	C127
	0008	CI00269	SMD ceramic capacitor-RS 1206	1.0uF/25V X7R $\pm$ 10%	C146,C171,C172,C136,C128,C129,C130,C154
	0009	RD00059	SMD fixed resistor 1/10W	0.0 $\Omega$ $\pm$ 5% 0603	R158,R173,R114,R125
	0010	RD00065	SMD fixed resistor 1/10W	47 $\Omega$ $\pm$ 5% 0603	R144,R145,R118,R137,R157
	0011	RD00077	SMD fixed resistor 1/10W	390 $\Omega$ $\pm$ 5% 0603	R174
	0012	RD00083	SMD fixed resistor 1/10W	1.0K $\Omega$ $\pm$ 5% 0603	R107,R123,R143,R160,R188,R190,R177
	0013	RD00087	SMD fixed resistor 1/10W	2.0K $\Omega$ $\pm$ 5% 0603	R111,R113,R109,R134,R135
	0014	RD00101	SMD fixed resistor 1/10W	10K $\Omega$ $\pm$ 5% 0603	R191,R192,R150,R187,R189
	0015	RD00106	SMD fixed resistor 1/10W	27K $\Omega$ $\pm$ 5% 0603	R104
	0016	RD00116	SMD fixed resistor 1/10W	100K $\Omega$ $\pm$ 5% 0603	R100,R101,R117,R122,R138,R140,R141,R142



Rank	Part No	Description	Specification	Insert Location	Remark	
	0017	RD00125	SMD fixed resistor 1/10W	1.0MΩ ±5% 0603	R105	
	0018	RD00129	SMD fixed resistor 1/4W	0.0Ω ±5% 1206	R108	
	0019	RD00130	SMD fixed resistor 1/4W	10Ω ±5% 1206	R159,R167,R165,R166	
	0020	RD00133	SMD fixed resistor 1/4W	100Ω ±5% 1206	R181,D400	
	0021	RD00142	SMD fixed resistor 1/4W	10KΩ ±5% 1206	R102	
	0022	RD00145	SMD fixed resistor 1/4W	33KΩ ±5% 1206	R164	
	0023	RD00147	SMD fixed resistor 1/4W	100KΩ ±5% 1206	R116,R146,R151,R152,R153,R154,R155,R156,R300,R301,R136	
	0024	RD00247	SMD precise resistor 1/4W	2.20KΩ ±1% 1206	R103,R161,R129,R185,R163	
	0025	RD00303	SMD precise resistor 1/10W	57.6KΩ ±1% 0603	R127	
	0026	RD00417	SMD precise resistor 1/4W	27.0KΩ ±1% 1206	R139	
	0027	RD00428	SMD fixed resistor 1/4W	680Ω ±5% 1206	R162	
	0028	RF00003	SMD semi-fixed resistor	EVN5ES X50B53-5K	P2	
	0029	SE00011	SMD rectifier diode	RLS4148 0.5A (LL-34)	D100,D101,D104,D105,D106,D107,D108,D109,D110,D111,D120,D135,D136,D103,D133,D131,D132,D3	
	0030	SE00012	SMD rectifier diode-RS	BAV103(PHI)	D2	
	0031	SE00018	SMD zener diode-RS-ACT	1/2W 6.8V LL-34	D112,D113	
	0032	SE00084	SMD zener diode-RS	1W 13V (ISMA4743)DO214AC/(PANJIT)	D118	
	0033	SE00097	SMD diode-RS-CT	1A/400V US1G(DO214AC)/(VISHAY)	D117,D121,D300,D301,D5,D7	
	0034	SF00082	transistor-RS-ACT	MMBT5401LT1G(SOT23)/(ON)	Q100,Q101	
	0035	SG00122	SMD integrated circuit-RS-ACT	NJM4580M-TE3(SOP8)/(JRC)	U13	
	0036	SG00306	SMD integrated circuit	LM393DR(TI)(MEXICO)	U3,U4,U14	
	0037	SG00495	SMD integrated circuit-RS	IR2156SPBF(SO14)/(IR)	U5	
	0038	AE00553	SenJu solder paste	M705-GRN360-K2-V 0.5KG/bottle		
	0039	SE00038	SMD L.E.D	green KPJA-2107SGD 90° 0802	DS2	
	0040	RD00027	SMD fixed resistor 1/8W	4.7KΩ ±5% 0805	R28	
	0041	RD00484	SMD fixed resistor 1/8W	4.7Ω ±5% 0805	R23	
	0042	RD00003	SMD fixed resistor 1/8W	10Ω ±5% 0805	R4,R8,R10	
	0043	CL00006	SMD tantalum capacitor-RS-ACT	10uF/16V case B2	C4,C6,C16,C19	
	0044	CL00028	SMD tantalum capacitor-RS	33uF/10V case B2 (NEC ESBV21A336M)	C11	
	0045	RD00481	SMD fixed resistor 1/8W	8.2KΩ ±5% 0805	R14	
	0046	RD00025	SMD fixed resistor 1/8W	3.3KΩ ±5% 0805	R6	
	0047	RD00612	SMD precise resistor-RS 1/8W	4.99KΩ ±1% 0805	R20	
	0048	CI00021	SMD ceramic capacitor 0805	0.001uF/50V NPO ±5%	C2,C22,C24	
	0049	RD00024	SMD fixed resistor 1/8W	3KΩ ±5% 0805	R53	
	0050	CI00112	SMD ceramic capacitor 0805	0.01uF/50V X7R ±10%	C31	
	0051	RD00018	SMD fixed resistor 1/8W	1.0KΩ ±5% 0805	R22	
	0052	RD00042	SMD fixed resistor 1/8W	33KΩ ±5% 0805	R39,R44	
	0053	RD00032	SMD fixed resistor 1/8W	10KΩ ±5% 0805	R29,R42	
	0054	SG00667	SMD integrated circuit-RS	IRS2092S(SOIC16N)/(IR)	U2	
	0055	HB03330	PCB-RS	DM 350W+65W MAIN_VER110315		
	0034	NC03371	insulation piece-RS	TS 112A 11*86*86_V1.0		fan and barrier
	0035	MA08850	panel-RS	TS115A MK ALTO CHINA_V1.1		
	0036	HD00018	glass tube fuse	6.3A 250V φ5.2*20mm CCEE/CSA/S/UL/VDE		
	0037	HK13153	PC board-RS	P-TS115A PRE-DIP		
	0001	CF00014	metal-film capacitor MEC	0.01uF/400V 10%	C14	
	0002	SA00105	zener diode	1W 12V 1N4742	ZD1,ZD2,ZD3,ZD4,ZD6,ZD7,ZD8,ZD9	
	0003	CB00065	electrolytic capacitor	470uF/25V φ10*16mm	C32,C33	
	0004	HC00076	connector(male)	2P 2.5mm 180°	CN2,CN3,CN6	
	0005	HC00077	connector(male)	3P 2.5mm 180°	CN1	
	0006	HC00392	balance MIC jack-RS	JY-5030-030G 180°	MIC2	
	0007	HI00162	push-button switch	2 paragraphs 6p PS-22E8552L	SW2,SW3	
	0008	SB00014	Photodiode-RS-ACT	VTL5C4	D3	
	0009	SA00053	L.E.D	φ3 round(red)long foot 26mm	DL1	
	0010	SA00052	L.E.D	φ3 round(green)long foot 26	DL2	
	0011	NI04453	LED spacer support-RS	LEDS-21 21mm	DL1,DL2	
	0012	AC00603	lead free soldering bar	S100		
	0013	HK13155	PC board-RS	P-TS115A PRE-AI		
	0001	SB00034	transistor	2SC1815GR(SC43)(TOSHIBA)	TR1	
	0002	SB00033	transistor-RS-ACT	2SA1015-GR(SC43)(TOSHIBA)	Q100	
	0003	SB00096	transistor-RS-ACT	2SC2878A(SC43)(TOSHIBA)	Q102	
	0004	CB00263	electrolytic capacitor	10uF /25V φ4*7mm	C100	
	0005	CB00194	electrolytic capacitor	47uF/25V φ5*11mm	C1,C2,C7,C8,C9,C11,C64,C66,C67,C70	
	0006	CB00248	electrolytic capacitor	2.2uF/50V φ4*5mm	C101,C18,C19	
	0007	CB00406	electrolytic capacitor-RS	220uF/16V 105 φ6.3*11mm	C102	
	0008	CF00243	metal-film capacitor-RS	0.027uF/100V 5% CASE01	C20	
	0009	CF00148	metal-film capacitor	0.0033uF/100V 5% CASE01	C47,C48	
	0010	CF00019	metal-film capacitor MSC	0.015uF/100V 5% CASE01	C34,C35	

Rank	Part No	Description	Specification	Insert Location	Remark
0011	CF00242	metal-film capacitor-RS	0.0056uF/100V 5% CASE01	C44,C45,C46	
0012	CF00183	metal-film capacitor MSC	0.1uF/100V 5% CASE01	C15,C16	
0013	CF00016	metal-film capacitor MSC	0.01uF/100V 5% CASE01	C21	
0014	CF00166	metal-film capacitor ESK	0.0027uF/100V 5% CASE01	C55	
0015	HK13154	PC board-RS	P-TS115A PRE-SMD		
0001	CI00029	SMD ceramic capacitor 0805	0.1uF/50V Y5V	C22,C23,C24,C25,C26,C27,C28,C29,C30,C31,C42,C43,C49,C50,C51,C52,C53,C54,C57,C58,C59,C60,C61,C62,C71,C72	
0002	RD00002	SMD fixed resistor 1/8W	0.0Ω ±5% 0805	R18,R64,R66A,R108,ZD5	
0003	RD00006	SMD fixed resistor 1/8W	100Ω ±5% 0805	R25,R62	
0004	RD00049	SMD fixed resistor 1/8W	100KΩ ±5% 0805	R31,R32,R37,R38,R39,R103,R104	
0005	RD00032	SMD fixed resistor 1/8W	10KΩ ±5% 0805	R8,R9,R10,R15,R20,R29,R30,R33B,R35,R36,R40,R42,R43,R46,R47,R48,R49,R50,R54,R55,R56,R57,R70,R77,R79	
0006	CI00001	SMD ceramic capacitor 0805	10PF/50V NPO	C17	
0007	RD00682	SMD precise resistor-RS 1/8W	13.0KΩ ±1% 0805	R53	
0008	RD00050	SMD fixed resistor 1/8W	150KΩ ±5% 0805	R17	
0009	RD00034	SMD fixed resistor 1/8W	15KΩ ±5% 0805	R3	
0010	RD00018	SMD fixed resistor 1/8W	1.0KΩ ±5% 0805	R21,R22	
0011	RD00056	SMD fixed resistor 1/8W	1.0MΩ ±5% 0805	R7,R78	
0012	RD00227	SMD precise resistor 1/8W	200Ω ±1% 0805	R105,R106	
0013	RD00230	SMD precise resistor 1/8W	470Ω ±1% 0805	R14	
0014	RD00037	SMD fixed resistor 1/8W	20KΩ ±5% 0805	R11,R71,R72	
0015	RD00052	SMD fixed resistor 1/8W	220KΩ ±5% 0805	R23	
0016	RD00038	SMD fixed resistor 1/8W	22KΩ ±5% 0805	R101	
0017	CI00007	SMD ceramic capacitor 0805	22PF/50V NPO	C3,C4,C5,C6,C63,C65,C68,C69,C36,C37,C39,C40,C41	
0018	RD00022	SMD fixed resistor 1/8W	2.0KΩ ±5% 0805	R26,R28	
0019	RD00625	SMD precise resistor-RS 1/8W	3.32KΩ ±1% 0805	R27	
0020	RD00012	SMD fixed resistor 1/8W	330Ω ±5% 0805	R73	
0021	RD00024	SMD fixed resistor 1/8W	3KΩ ±5% 0805	R107	
0022	RD00045	SMD fixed resistor 1/8W	51KΩ ±5% 0805	R109	
0023	RD00027	SMD fixed resistor 1/8W	4.7KΩ ±5% 0805	R1,R2,R33,R74,R4,R5,R34,R76	
0024	RD00044	SMD fixed resistor 1/8W	47KΩ ±5% 0805	R75	
0025	CI00012	SMD ceramic capacitor 0805	47PF/50V NPO	C12,C13,C38	
0026	RD00030	SMD fixed resistor 1/8W	6.8KΩ ±5% 0805	R13,R24	
0027	RD00031	SMD fixed resistor 1/8W	7.5KΩ ±5% 0805	R58	
0028	SE00011	SMD rectifier diode	RLS4148 0.5A (LL-34)	D1,D2,D100,D101,D102,D103	
0029	SG00122	SMD integrated circuit-RS-ACT	NUM4580M-TE3(SOP8)/(JRC)	U1,U2,U3,U4,U5,U6,U7,U8,U9,U10,U11,U12	
0030	AE00553	SenJu solder paste	M705-GRN360-K2-V 0.5KG/bottle		
0031	RD00228	SMD precise resistor 1/8W	220Ω ±1% 0805	R6,R66	
0032	RD00035	SMD fixed resistor 1/8W	16KΩ ±5% 0805	R12	
0033	RD00675	SMD fixed resistor-RS 1/8W	4.12KΩ ±1% 0805	R41	
0034	RD00739	SMD precise resistor-RS	5.1KΩ ±1% 0805	R51	
0035	HB03331	PCB-RS	TS112A PRE(1*4)_VER110324		
0014	HA03127	wire-RS	8P(male)-8P(female) 150mm UL1007 28AWG	CP4	
0015	HA01919	jump	5mm	C56	
0016	CG00063	filter-EMI FILTER	LF-22UH(WAH TAY1)	L1,L2,L3,L4	
0017	RA01258	fixed resistor 1/4W	10Ω	R16	
0018	RA01114	fixed resistor 1/4W	2.2KΩ	R102	
0019	RA01234	fixed resistor 1/4W	4.7KΩ	R100	
0020	HC01212	balance MIC jack-RS	K6X01V-6-3A	MIC1,MIC3	
0021	RC00230	potentiometer	A100KΩ R0911NOB-V1-A104FN00-00	VR1,VR2	
0022	RA01271	fixed resistor 1/4W	5.1KΩ		
0038	NI02590	cable tie	YJ-203V0 UL94V-0		fix the GND
0039	MF00014	washer	φ3*φ6.5*0.5t		PRE GND
0040	MG00269	screw-RS	M3*6		PRE *2+EQ*4
0028	MF00032	washer	φ6.3*φ11*0.8t_V1.0		latch the handle
0029	MG00925	screw-RS	M5*50		plastic front panel and plastic rear cover*14
0030	HA01429	wire-RS	2P 795mm UL1007 24AWG		
0031	NI00246	sleeve	φ3*20mm		speaker front panel LED & cable soldering point
0032	SA00194	L.E.D	φ3		
0033	MG00935	screw-RS-CT	M4*20 441134020CN		latch the grille *6
0034	NA01122	silk wadding-RS-CT	TS115_V1.1		
0035	NI06073	cushion-RS-CT	ZEOX 15A 108.7*30.54mm black_V1.0		latch on handle
0036	NI06071	fixed bracket-RS-CT-ABS	φ178*30 black_V1.1		
0037	ND01211	EV foam-RS-CT	1t*φ26*φ36 black_V1.0		on speaker bracket and tweeter bracket joint
0038	ND01212	EV foam-RS-CT	1t*φ36*φ45 black_V1.0		on speaker front panel and tweeter bracket

Rank	Part No	Description	Specification	Insert Location	Remark
0039	NI06082	speaker rear cover-RS	ZEOX 15A 429.93*679*312.7 black_V1.0		
0040	NI06080	speaker panel-RS-CT	ZEOX 15A 430.8*674.7*172 black_V1.1		
0041	NI06072	handle-RS-CT	ZEOX 15A 169.9*52.7mm black_V1.0		
0042	MD01556	iron net-RS	ZEOX 15A_V1.0		
0043	NE20842	label-RS-CT	TS115A_V1.1		unit(inside and outside)*2 , carton*1, manual*1
0044	NE20822	label-RS	TS115A_V1.0		unit*1
0045	NB06877	carton-RS-CT	TS115A ALTO_V1.3		
0046	NF03534	assurance card-RS	ALTO ALESIS_V1.0		
0047	MG00838	screw-RS	FLASH12 φ30.5*51.5_V1.0		
0048	MI05478	label-RS-ACT	ALESIS		
0049	MG00373	screw	M3*5mm		latch heat sink and tweeter speakon
0050	MI05479	heat-sink-RS-CT	TS 115A 3*30*15*36_V1.0		
0051	NI06135	fixed piece-RS-CT	TS 112A 5.12*54.66*54.66_V1.0		
0052	ND01228	EV foam-RS-CT	1t*50.5*50.5 black_V1.0		on back side of AL label and plastic fixed piece
0053	NF03557	user manual-RS	TS115A ALTO_V1.0		
0054	NE21070	label-RS-CT	Truesonic series_V1.0		on upper right corner of grille

# Europe

Rank	Part No	Description	Specification	Insert Location	Remark
PC01749		SPEAKER	TS112A_ALTO_220-240V_CHINA_(NUMARK)		
0001	NI05562	fixed board-RS-ABS	JH531φ102*φ26mm		latch tweeter
0002	MG00456	screw	M6*22*1.0PH		tweeter bracket and speakon bracket
0003	ME00130	nut-RS	M6*1.0PH		tweeter bracket and speakon bracket
0004	NI02728	rubber foot	φ29.5*14 black		
0005	MG00488	screw-RS	M3.5*15		rubber foot*4
0006	MG00411	screw	M14*26*1.0PH_V1.1		speaker rear cover hanging hole
0007	ME00116	nut	M14*5*1.0PH_V1.3		speaker rear cover hanging hole
0008	MF00089	washer-RS-ACT	φ27.5*φ14.8*1.4t_V1.2		speaker rear cover hanging hole
0009	MG00334	screw-RS	M3*16mm		front panel & speaker cabinet*12
0010	MG00843	screw-RS	M5*20*φ10		woofer *8
0011	MG00064	screw	M3*10		handle & handle cushion*6
0012	MG00511	screw-RS	M4*37_V1.1		tweter bracket & speaker front panel* 4
0013	MG00842	screw-RS	M5*40*φ10		handle & speaker rear panel*4
0014	NI02250	MIC jack	φ17*φ23.5*9		
0015	ND00270	absorb sound sponge	700*430*50		on back of tweeter
0016	ND00374	EV foam	2.0t*948*18mm black_V1.0		back of woofer *1
0017	ND00468	EV foam	1.0t*1210*13.5_V1.0		on module front panel
0018	HK12183	SPEAKER	12inch 200W 4Ω(PS4LA)		
0001	NH00241	cover-RS	φ97*18.4		
0002	NH00243	cushion-RS	φ315*280*8 EVA_V1.1		
0003	ND00350	spider-RS	φ150*φ50.8*8 MC-1038 0.6/50g_V1.0		
0004	ND00227	sponge	S0721B_NYLON NET D35		
0005	MI01517	bracket-RS	φ318*φ60*64 P:76_V1.0		
0006	MH01568	WASHER-RS	φ129*φ52.5*8 P:76_V1.2		
0007	MH02056	magnet-RS	ψ135*ψ57*19 Y30_V1.0		
0008	MH01110	rivet	M0500A_OU-30		
0009	HC00426	terminal-RS	M0021B_PT2.1_V1.0		
0010	NI02583	terminal block	3.5*24.5*3t		
0011	HA02493	strand	TA4X4YKA42W*110mm		
0012	HG00355	voice coil-RS	BASV2L 50.5*36*3.6*0.29 13.6_V1.0		
0013	MH02077	T-shape middle pillar-RS	φ129*φ50*28.5*8 P:55_V1.1		
0014	MH01975	magnet-RS	ψ100*ψ45*15 Y30_V1.0		
0015	NE20041	label-RS	HK12183_V1.0		
0016	NH00620	cone-RS	φ297*φ51.2*76 HC:1232-NP-WN11_V1.0		
0019	HG00428	speaker-RS	JS-J25204 8Ω 20W SCREW ON		
0020	HA00861	power cord Europe 3P	LT-312+LT-501		
0021	HA02320	single terminal wiring	800mm UL1015 18AWG		tweeter connector
0022	HA02520	single terminal wiring	750mm UL1015 18AWG		woofer connector
0023	NI00218	cable tie	ALT-102SB		for wiring
0024	NA00880	PE bag-RS	0.03t*1200*800mm12 hole		unit
0025	NA00858	PE bag-RS	0.04t*240*160mm_V1.0		manual and warranty card
0026	HK12822	faceplate-RS	TS112A_ALTO_220-240V		
0001	MI05057	fixed bracket-RS	PMB8.350 UM 1.5t*122*66*12mm_V1.0		
0002	NI00218	cable tie	ALT-102SB		
0003	NI02386	konb-RS	φ14*13mm		1.VOLUME
0004	NI01862	key	5.5*5.5*14.5_V1.1		
0005	ME00016	color nut	4m/m		GND*1
0006	MF00038	washer-RS	φ4*φ7*1t		GND*1
0007	MF00048	washer-RS	φ4*φ8*0.5t		GND*1
0008	MG00162	screw	M3*8		AMP*4+MC01108*6
0009	MG00607	screw	M5*10		fix the fan*8
0010	MG00042	screw	M3*10		1.AC inlet
0011	HI00019	power switch	4P MSR-8		
0012	HC00008	AC socket	3515 A TYPE(RF-2004-C-4.8)		
0013	HA03670	wire	3P(male)-3P(female) 330mm UL1007 22AWG		PRE CN1 TO AMP CN100
0014	HA02238	wire-RS	2P-2P 160mm UL1185 26AWG		PRE CN3 TO AMP CN101
0015	HA05345	wire-RS	250mm UL1015 18AWG		to OUT1-HI

Rank	Part No	Description	Specification	Insert Location	Remark
0016	HA03186	wire	100mm UL1015 14AWG		GND
0017	HA02710	wire-RS	100mm UL1015 14AWG		GND
0018	HE00141	fan-RS	DC12V/4000RPM 80*80*15mm 480mm 2.5 2P		
0019	MG00020	screw	M3*8		L shaped bracket*4
0020	HA01054	wire-RS	2P-2P 180mm UL1185 26AWG		PRE CN6 TO AMP CN102
0021	NI06123	knob-RS-CT	9.2*9.2*7.3(3.3*3.3)_V1.0		
0022	MC01108	top cover-RS	DM 350W+65W 1.2t*115.7*11*200_V1.3		
0023	HA02536	wrie	145mm UL1617 18AWG brown		AC SW to AMP
0024	HA02535	wrie	145mm UL1617 18AWG black		AC SW to AMP
0025	HA04143	wire	100mm UL1015 18AWG brown		AC SW to AC inlet
0026	HA04141	wire	100mm UL1015 18AWG blue		AC SW to AC inlet
0027	MG00918	screw-RS	M2.6*9		MIC jack*6
0028	HK13110	PC board-RS	P-TS112A PRE-EQ-DIP		
0001	HC00259	connector(male)	8P 2.0mm 180°	CN4	
0002	HK13114	PC board-RS	P-TS112A PRE-EQ-AI		
0001	CB00411	electrolytic capacitor-RS	100uF/16V 105 φ5*11mm	C135,C147,C148,C149,C150	
0002	CB00260	electrolytic capacitor	47uF/35V φ5*11mm 2.5mm	C92,C93,C94,C95,C96,C97,C98,C99,C103,C104	
0003	CB00251	electrolytic capacitor	220UF/25V φ8*11mm	C154,C155	
0004	HK13112	PC board-RS	P-TS112A PRE-EQ-SMD		
0001	SG00122	SMD integrated circuit-RS-ACT	NJM4580M-TE3(SOP8)/(JRC)	U26,U27,U31,U21,U22,U23,U24,U25,U32,U33,U34,U35,U36	
0002	RD00201	SMD precise resistor 1/10W	1.50KΩ ±1% 0603	R143,R223	
0003	RD00275	SMD precise resistor 1/10W	110Ω ±1% 0603	R140,R160	
0004	RD00214	SMD precise resistor 1/10W	10.0KΩ ±1% 0603	R116,R117,R118,R119,R120,R121,R122	
0005	RD00360	SMD precise resistor 1/10W	121Ω ±1% 0603	R166	
0006	RD00217	SMD precise resistor 1/10W	14.0KΩ ±1% 0603	R91,R92,R93,R94,R221,R222	
0007	RD00200	SMD precise resistor 1/10W	150Ω ±1% 0603	R123,R124,R125	
0008	RD00368	SMD precise resistor 1/10W	16.5KΩ ±1% 0603	R159	
0009	RD00219	SMD precise resistor 1/10W	20.0KΩ ±1% 0603	R149,R150,R151,R152,R153,R201	
0010	RD00203	SMD precise resistor 1/10W	2.00KΩ ±1% 0603	R99,R110,R111,R112,R113	
0011	RD00323	SMD precise resistor 1/10W	3.09KΩ ±1% 0603	R154,R155,R156,R157	
0012	RD00370	SMD precise resistor 1/10W	33.2KΩ ±1% 0603	R161	
0013	RD00324	SMD precise resistor 1/10W	4.12KΩ ±1% 0603	R87,R88	
0014	RD00286	SMD precise resistor 1/10W	4.53KΩ ±1% 0603	R142	
0015	RD00415	SMD precise resistor 1/10W	4.70KΩ ±1% 0603	R217	
0016	RD00210	SMD precise resistor 1/10W	5.11KΩ ±1% 0603	R126,R127,R128,R129,R130,R131,R132,R133,R134,R135,R136,R218	
0017	RD00365	SMD precise resistor 1/10W	5.62KΩ ±1% 0603	R97,R98,R224	
0018	RD00299	SMD precise resistor 1/10W	5.76KΩ ±1% 0603	R147,R148,R158	
0019	RD00371	SMD precise resistor 1/10W	51.1KΩ ±1% 0603	R137,R138,R139,R167	
0020	RD00300	SMD precise resistor 1/10W	6.04KΩ ±1% 0603	R162	
0021	RD00287	SMD precise resistor 1/10W	6.34KΩ ±1% 0603	R163,R164,R165	
0022	RD00326	SMD precise resistor 1/10W	6.80KΩ ±1% 0603	R95,R96,R226,R227	
0023	RD00289	SMD precise resistor 1/10W	8.06KΩ ±1% 0603	R114,R115	
0024	RD00327	SMD precise resistor 1/10W	8.20KΩ ±1% 0603	R89,R90	
0025	RD00473	SMD precise resistor 1/10W	18.0KΩ ±1% 0603	R200	
0026	RD00339	SMD precise resistor 1/10W	47.0KΩ ±1% 0603	R204,R210,R214,R220,R225,R230	
0027	RD00338	SMD precise resistor 1/10W	9.10KΩ ±1% 0603	R202,R203,R205	
0028	RD00445	SMD precise resistor 1/10W	2.43KΩ ±1% 0603	R206,R207	
0029	RD00321	SMD precise resistor 1/10W	1.20KΩ ±1% 0603	R208,R228	
0030	RD00506	SMD precise resistor 1/10W	3.30KΩ ±1% 0603	R209	
0031	RD00334	SMD precise resistor 1/10W	11.0KΩ ±1% 0603	R211,R212	
0032	RD00322	SMD precise resistor 1/10W	2.70KΩ ±1% 0603	R213	
0033	RD00721	SMD fixed resistor-RS 1/10W	22.1KΩ ±1% 0603	R215,R216	
0034	RD00510	SMD precise resistor 1/10W	6.20KΩ ±1% 0603	R219	
0035	RD00406	SMD precise resistor 1/10W	3.60KΩ ±1% 0603	R229	
0036	RD00541	SMD precise resistance 1/10W	0Ω±1% 0603	R100	
0037	CI00129	SMD ceramic capacitor 0603	0.0015uF/50V X7R ±10%	C136,C151	
0038	CI00071	SMD ceramic capacitor 0603	0.01uF/50V X7R ±10%	C119,C120,C121,C122	
0039	CI00123	SMD ceramic capacitor 0603	0.027uF/50V X7R ±10%	C145,C146	
0040	CI00109	SMD ceramic capacitor 0603	20PF/50V C0G±5%(C1608C0G1H200JT)/TDK	C125,C126,C127,C128,C129,C130,C131,C132,C133,C134	

Rank	Part No	Description	Specification	Insert Location	Remark
0041	CI00234	SMD ceramic capacitor 0603	0.0033uF/50VCOG±5%(C1608C0G1H332JT)/TDK	C142,C143	
0042	CI00206	SMD ceramic capacitor 0603	0.047uF/50V ±10%(C1608X7R1H473KT)/TDK	C123,C124	
0043	CI00211	SMD ceramic capacitor 0603	0.15uF/25V X7R±10%(C1608X7R1E154KT)/TDK	C138,C139	
0044	CI00217	SMD ceramic capacitor 0603	100PF/50V C0G ±5%(C1608C0G1H101JT)/TDK	C89,C90,C91	
0045	CI00201	SMD ceramic capacitor 0603	0.01uF/50V ±10%(C1608X7R1H103KT)/TDK	C105,C106,C107,C108,C109,C110,C111,C112,C113,C114,C115,C116,C117,C118,C156,C157,C158,C159,C160,C161,C162,C163,C164,C165,C166,C167	
0046	CI00223	SMD ceramic capacitor 0603	390PF/50V C0G ±5%(C1608C0G1H391JT)/TDK	C141	
0047	CI00226	SMD ceramic capacitor 0603	680PF/50V C0G ±5%(C1608C0G1H681JT)/TDK	C140	
0048	AE00553	SenJu solder paste	M705-GRN360-K2-V 0.5KG/bottle		
0049	HB03332	PCB-RS	TS112A EQ PRE_VER110324		
0003	AC00603	lead free soldering bar	S100		
0029	HK13009	PC board-RS	P-TS112A PRE-DIP		
0001	CF00014	metal-film capacitor MEC	0.01uF/400V 10%	C14	
0002	SA00105	zener diode	1W 12V 1N4742	ZD1,ZD2,ZD3,ZD4,ZD6,ZD7,ZD8,ZD9	
0003	CB00065	electrolytic capacitor	470uF/25V φ10*16mm	C32,C33	
0004	HC00076	connector(male)	2P 2.5mm 180°	CN2,CN3,CN6	
0005	HC00077	connector(male)	3P 2.5mm 180°	CN1	
0006	HC00392	balance MIC jack-RS	JY-5030-030G 180°	MIC2	
0007	HI00162	push-button switch	2 paragraphs 6p PS-22E8552L	SW2,SW3	
0008	SB00014	Photodiode-RS-ACT	VTL5C4	D3	
0009	SA00053	L.E.D	φ3 round(red)long foot 26mm	DL1	
0010	SA00052	L.E.D	φ3 round(green)long foot 26	DL2	
0011	NI04453	LED spacer support-RS	LEDS-21 21mm	DL1,DL2	
0012	AC00603	lead free soldering bar	S100		
0013	HK13013	PC board-RS	P-TS112A PRE-AI		
0001	SB00034	transistor	2SC1815GR(SC43)/(TOSHIBA)	TR1	
0002	SB00033	transistor-RS-ACT	2SA1015-GR(SC43)/(TOSHIBA)	Q100	
0003	SB00096	transistor-RS-ACT	2SC2878A(SC43)/(TOSHIBA)	Q102	
0004	CB00263	electrolytic capacitor	10uF /25V φ4*7mm	C100	
0005	CB00194	electrolytic capacitor	47uF/25V φ5*11mm	C1,C2,C7,C8,C9,C11,C64,C66,C67,C70	
0006	CB00248	electrolytic capacitor	2.2uF/50V φ4*5mm	C101,C18,C19	
0007	CB00406	electrolytic capacitor-RS	220uF/16V 105 φ6.3*11mm	C102	
0008	CF00243	metal-film capacitor-RS	0.027uF/100V 5% CASE01	C20	
0009	CF00148	metal-film capacitor	0.0033uF/100V 5% CASE01	C47,C48	
0010	CF00019	metal-film capacitor MSC	0.015uF/100V 5% CASE01	C34,C35	
0011	CF00242	metal-film capacitor-RS	0.0056uF/100V 5% CASE01	C44,C45,C46	
0012	CF00183	metal-film capacitor MSC	0.1uF/100V 5% CASE01	C15,C16	
0013	CF00016	metal-film capacitor MSC	0.01uF/100V 5% CASE01	C21	
0014	CF00166	metal-film capacitor ESK	0.0027uF/100V 5% CASE01	C55	
0015	HK13011	PC board-RS	P-TS112A PRE-SMD		
0001	CI00029	SMD ceramic capacitor 0805	0.1uF/50V Y5V	C22,C23,C24,C25,C26,C27,C28,C29,C30,C31,C42,C43,C49,C50,C51,C52,C53,C54,C57,C58,C59,C60,C61,C62,C71,C72	
0002	RD00002	SMD fixed resistor 1/8W	0.0Ω ±5% 0805	R18,R64,R66A,R108,ZD5,R38	
0003	RD00006	SMD fixed resistor 1/8W	100Ω ±5% 0805	R25,R62	
0004	RD00049	SMD fixed resistor 1/8W	100KΩ ±5% 0805	R31,R32,R37,R39,R103,R104	
0005	RD00032	SMD fixed resistor 1/8W	10KΩ ±5% 0805	R8,R9,R10,R15,R20,R29,R30,R33B,R35,R36,R40,R42,R43,R46,R47,R49,R54,R55,R56,R57,R70,R77,R79	
0006	CI00001	SMD ceramic capacitor 0805	10PF/50V NPO	C17	
0007	RD00682	SMD precise resistor-RS 1/8W	13.0KΩ ±1% 0805	R53	
0008	RD00050	SMD fixed resistor 1/8W	150KΩ ±5% 0805	R17	
0009	RD00034	SMD fixed resistor 1/8W	15KΩ ±5% 0805	R3	
0010	RD00018	SMD fixed resistor 1/8W	1.0KΩ ±5% 0805	R21,R22	
0011	RD00056	SMD fixed resistor 1/8W	1.0MΩ ±5% 0805	R7,R78	
0012	RD00227	SMD precise resistor 1/8W	200Ω ±1% 0805	R105,R106	

Rank	Part No	Description	Specification	Insert Location	Remark	
	0013	RD00230	SMD precise resistor 1/8W	470Ω ±1% 0805	R14	
	0014	RD00037	SMD fixed resistor 1/8W	20KΩ ±5% 0805	R11,R71,R72	
	0015	RD00052	SMD fixed resistor 1/8W	220KΩ ±5% 0805	R23	
	0016	RD00038	SMD fixed resistor 1/8W	22KΩ ±5% 0805	R101	
	0017	CI00007	SMD ceramic capacitor 0805	22PF/50V NPO	C3,C4,C5,C6,C63,C65,C68,C69,C36,C37,C39,C40,C41	
	0018	RD00022	SMD fixed resistor 1/8W	2.0KΩ ±5% 0805	R26,R28	
	0019	RD00625	SMD precise resistor-RS 1/8W	3.32KΩ ±1% 0805	R27	
	0020	RD00012	SMD fixed resistor 1/8W	330Ω ±5% 0805	R73	
	0021	RD00024	SMD fixed resistor 1/8W	3KΩ ±5% 0805	R107	
	0022	RD00045	SMD fixed resistor 1/8W	51KΩ ±5% 0805	R109	
	0023	RD00027	SMD fixed resistor 1/8W	4.7KΩ ±5% 0805	R1,R2,R33,R74,R4,R5,R34,R76	
	0024	RD00044	SMD fixed resistor 1/8W	47KΩ ±5% 0805	R75	
	0025	CI00012	SMD ceramic capacitor 0805	47PF/50V NPO	C12,C13,C38	
	0026	RD00030	SMD fixed resistor 1/8W	6.8KΩ ±5% 0805	R13,R24	
	0027	RD00031	SMD fixed resistor 1/8W	7.5KΩ ±5% 0805	R58	
	0028	SE00011	SMD rectifier diode	RLS4148 0.5A (LL-34)	D1,D2,D100,D101,D102,D103	
	0029	SG00122	SMD integrated circuit-RS-ACT	NJM4580M-TE3(SOP8)/(JRC)	U1,U2,U3,U4,U5,U6,U7,U8,U9,U10,U11,U12	
	0030	AE00553	SenJu solder paste	M705-GRN360-K2-V 0.5KG/bottle		
	0031	RD00228	SMD precise resistor 1/8W	220Ω ±1% 0805	R6,R66	
	0032	RD00035	SMD fixed resistor 1/8W	16KΩ ±5% 0805	R12	
	0033	RD00675	SMD fixed resistor-RS 1/8W	4.12KΩ ±1% 0805	R41	
	0034	RD00026	SMD fixed resistor 1/8W	3.9KΩ ±5% 0805	R51	
	0035	HB03331	PCB-RS	TS112A PRE(1*4)_VER110324		
	0036	RD00481	SMD fixed resistor 1/8W	8.2KΩ ±5% 0805	R50	
	0014	HA03127	wire-RS	8P(male)-8P(female) 150mm UL1007 28AWG	CP4	
	0015	HA01919	jump	5mm	C56	
	0016	CG00063	filter-EMI FILTER	LF-22UH(WAH TAYI)	L1,L2,L3,L4	
	0017	RA01258	fixed resistor 1/4W	10Ω	R16	
	0018	RA01114	fixed resistor 1/4W	2.2KΩ	R102	
	0019	RA01234	fixed resistor 1/4W	4.7KΩ	R100	
	0020	HC01212	balance MIC jack-RS	K6X01V-6-3A	MIC1,MIC3	
	0021	RC00230	potentiometer	A100KΩ R0911NOB-V1-A104FN00-00	VR1,VR2	
	0022	RA01271	fixed resistor 1/4W	5.1KΩ		back solder on VR1 PIN2&C7 - : VR2 PIN2&C64-
	0030	MG00261	copper pillar	M3*8.5*0.5PH		fix EQ board
	0031	HA05536	wire-RS	280mm UL1007 18AWG		LOW OUT
	0032	HK13138	PC board-RS	P-DM 350W+65W MAIN-DIP		
	0001	MB06319	chassis-RS	DM 350W+65W(ME00221)_V1.2		
	0002	NI05590	barrier-RS	DM 350W+65W 0.5t*110*115_V1.0		
	0003	ME00016	color nut	4m/m		
	0004	ME00226	screw-RS	M3*0.5PH		IC*3+tab*3+Z tab*1+GND*1
	0005	MF00038	washer-RS	φ4*φ7*1t		
	0006	MG00162	screw	M3*8		latch Q104,Q105+fix PCB*7PCS
	0007	MG00566	screw	M3*10*0.5PH_V1.0		IC*3PCS+tab*3PCS+Z tab*1PCS
	0008	MI00178	heat-sink piece	MB217*25m/m*1PIN		latch Q104,Q105
	0009	MJ00344	solder plate	AMP		
	0010	MK00103	spring piece	0.5t*22.67*6.5*42.5_V1.0		latch Q102, Q103
	0011	MK00115	spring-RS	1.0T*7.6*13*34.2(ML00004)_V 1.3		latchU1
	0012	NC00129	mica-RS	PSA-31300 45*24*0.1t_V1.1		latch U1
	0013	NC00167	mica-RS	13*18(φ3.6)TO-220		latch Q104,Q105
	0014	NC01179	insulator spacer-RS	0.13t*40mm*55mm(HI-FLOW-625)		latch Q102, Q103
	0015	AD00012	twin adhesive-RS	90*120mm_V1.0		ZD-barrier
	0016	NI04253	sleeve-RS	φ28*50M T-2		MK00103
	0017	NI00224	sleeve	φ1*10mm		PR1
	0018	AC00603	lead free soldering bar	S100		
	0019	NE19290	label-RS-CT	DM 350W+65W_V1.0		
	0020	NE19289	label-RS	DM350W+65W_V1.0		
	0021	NI02249	plastic washer	TW-1(TO-220)		latch Q104,Q105
	0022	HA01219	wire-RS	40mm UL1015 18AWG	JP300	
	0023	CB00049	electrolytic capacitor	100uF/35V φ8*11mm	C140,C141	
	0024	CB00156	electrolytic capacitor	4700uF/63V φ25*35mm	C133,C135	

Rank	Part No	Description	Specification	Insert Location	Remark
0025	CB00170	electrolytic capacitor	1000uF/100V φ18*35.5mm	C115,C116	
0026	CB00321	electrolytic capacitor-RS	470uF/180V φ25*25mm	C124,C125	
0027	CB00322	electrolytic capacitor-RS	820uF/35V 105 WL φ10*30mm(JAMICON)	C160,C161	
0028	CF00033	metal-film capacitor MEF	0.1uF/250V 10%	C111,C113,C114	
0029	CF00059	metal-film capacitor FKP	220PF/630V (PFR5 221J630J11L4)	C109	
0030	CF00222	metal-film capacitor-RS MKT	1.0uF/250V 5%(BFC237341105)	C110	
0031	CF00223	metal-film capacitor-RS MKP	0.068uF/630V 5%(BFC238320683)	C138,C139	
0032	CG00018	filter-EMI FILTER	LF-22UH(WAH TAYI)	L101	
0033	CG00023	X1/Y1 capacitor	0.0022uF/250VAC Y5U	C120,C121,C122,C123	
0034	CG00056	X2 capacitor	0.47uF/275VAC	C118,C119	
0035	CG00065	X2-capacitor MPX	1.0uF/275V VDE/UL/CSA	C117	
0036	CN00069	inductance-EMI SUPPRESSOR-RS-ACT	TB36-13-850485	L106,L107	
0037	CN00160	inductance	2.7mH φ0.7*28.5T	L104,L105	
0038	CN00265	fixed inductance-RS	20uH/10A QY-10623218-01	L103	
0039	HA01919	jump	5mm	L102B	
0040	HA02441	jump	7.5mm	R401	
0041	HC00063	FUSE holder	JEF-501 (5.2mm)		
0042	HC00076	connector(male)	2P 2.5mm 180°	CN104,CN105,CN102,CN101	
0043	HC00077	connector(male)	3P 2.5mm 180°	CN100	
0044	HC00134	connector	2.54 180° 2P(gold-plated) 6/11.6mm	CON107	
0045	HC00324	connect terminal	6.5m/m (PC250)	J101,J102,J103,J104,J105,J106	
0046	HC00858	terminal block-RS	2P 2EHDV-02P male	J107	
0047	HD00011	glass tube fuse	5A 250V φ5.2*20mm CSA/S/UL/VDE	F101,F102	
0048	HD00114	ceramic tube fuse-RS	6.3A 250V φ5.2*20mm CSA/PSE/UL/VDE	F100	
0049	RA00006	metal-oxide-film resistor 1W	10Ω	R106,R131	
0050	RA00009	metal-oxide-film resistor 1W	47Ω	R175	
0051	RA00015	metal-oxide-film resistor 1W	1KΩ	R133,R176	
0052	RA00051	metal-oxide-film resistor 2W	5.6Ω	R178	
0053	RA00150	fixed resistor 1/2W	100KΩ	R148,R149	
0054	RA01409	fixed resistor 1/8W	1Ω	D127	
0055	RA01451	chassis bracket 7W	0.1Ω ±5% SQP type	R168	
0056	RA01724	metal-oxide-film resistor-RS	1Ω ±5%	R170,R172,R184	
0057	RG00012	over current protector	0.5A 60V MF-R050	R186	
0058	RH00013	thermistor	47KΩ (M891 B57891-M473-J)	R115	
0059	RH00033	thermistor-RS-CT	5Ω B57235S-0509M000/(EPCOS)	R147	
0060	RH00037	thermistor-RS-ACT	330Ω PTFLO4BG222Q2N34B0/(MURATA)	PR1,R119	
0061	SA00004	high speed diode-RS	2A/100V BYV27-200,113	D114,D115	
0062	SA00094	rectifier diode	1N4002/100V	D401	
0063	SA00134	diode-RS-ACT	6A/200V/35ns FE6D	D122,D123,D124,D125	
0064	SA00220	diode	3A/600V SF38	D128,D129,D130,D134	
0065	SA00316	bridge rectifier-RS	8A GBU-8K/(PANJIT)	D116	
0066	SB00081	voltage stabilized transistor-RS-ACT	UTC78L05(TO92)/(UTC)	U8	
0067	SB00083	voltage stabilized transistor-RS-ACT	UTC79L05(TO92)/(UTC)	U10	
0068	SB00223	transistor-RS-CT	HGTG7N60A4D(TO247)/(FAIRCHLD)	Q102,Q103	
0069	SB00284	transistor-RS	IRFB4020PBF(TO220AB)/(IR)	Q104,Q105	
0070	SD00084	integrated circuit	TDA7294(MULTIWATT15)/(ST)	U1	
0071	SD00341	integrated circuit-RS-C	NJM7815FA(TO220F)/(JRC)	U6	
0072	SD00342	integrated circuit-RS-C	NJM7915FA(TO220F)/(JRC)	U9	
0073	SD00380	integrated circuit-RS	NJM7812FA(TO220F)/(JRC)	U7	
0074	SD00441	integrated circuit-RS-ACT	LM317T-0.55T(TO220)/(ST)	U400	
0075	TC00430	transistor-RS	PT-DM 350W+65W	T1	
0076	HK13141	PC board-RS	P-DM 350W+65W MAIN-AI		
0001	CB00019	electrolytic capacitor	10uF/50V NP φ5*11mm	C108	
0002	CB00177	electrolytic capacitor	22uF/50V φ5*11mm	C150,C151,C152,C164,C165	
0003	CB00234	electrolytic capacitor	10uF/50V φ6*7mm	C166,C167	
0004	CB00235	electrolytic capacitor	100uF/25V φ6*11mm	C147,C148,C153,C401,C402,C403	
0005	CB00260	electrolytic capacitor	47uF/35V φ5*11mm 2.5mm	C142,C143,C168	
0006	CB00412	electrolytic capacitor-RS	1.0uF/50V 105 φ4*7mm	C131	
0007	CF00141	metal-film capacitor MSC	0.0068uF/100V 5% CASE01	C132	
0008	CF00155	metal-film capacitor MSC	0.22uF/63V 5% CASE02	C177	
0009	CF00179	metal-film capacitor ESK	0.0022uF/100V 5% CASE01	C176	
0010	CF00183	metal-film capacitor MSC	0.1uF/100V 5% CASE01	C112,C169,C145,C170	
0011	HK13140	PC board-RS	P-DM 350W+65W MAIN-SMD		
0001	CI00061	SMD ceramic capacitor 0603	220PF/50V NPO ±5%	C103,C174	



Rank	Part No	Description	Specification	Insert Location	Remark
0002	CI00075	SMD ceramic capacitor 0603	0.1uF/50V Y5V +80,-20%	C106,C107,C173,C100,C101,C102,C163,C175	
0003	CI00103	SMD ceramic capacitor 1206	100PF/50V NPO ±5%	C134	
0004	CI00136	SMD ceramic capacitor 1206	560PF/50V NPO ±5%	C126	
0005	CI00175	SMD ceramic capacitor 0603	1.0uF/16V X7R±10%(C1608X7R1C105KT)/TDK	C104	
0006	CI00195	SMD ceramic capacitor 1206	4.7uF/25V Y5V +80%,-20%	C178	
0007	CI00212	SMD ceramic capacitor1206	0.047uF/50V X7R ±5%	C127	
0008	CI00269	SMD ceramic capacitor-RS 1206	1.0uF/25V X7R ±10%	C146,C171,C172,C136,C128,C129,C130,C154	
0009	RD00059	SMD fixed resistor 1/10W	0.0Ω ±5% 0603	R158,R173,R114,R125	
0010	RD00065	SMD fixed resistor 1/10W	47Ω ±5% 0603	R144,R145,R118,R137,R157	
0011	RD00077	SMD fixed resistor 1/10W	390Ω ±5% 0603	R174	
0012	RD00083	SMD fixed resistor 1/10W	1.0KΩ ±5% 0603	R107,R123,R143,R160,R188,R190,R177	
0013	RD00087	SMD fixed resistor 1/10W	2.0KΩ ±5% 0603	R111,R113,R109,R134,R135	
0014	RD00101	SMD fixed resistor 1/10W	10KΩ ±5% 0603	R191,R192,R150,R187,R189	
0015	RD00106	SMD fixed resistor 1/10W	27KΩ ±5% 0603	R104	
0016	RD00116	SMD fixed resistor 1/10W	100KΩ ±5% 0603	R100,R101,R117,R122,R138,R140,R141,R142	
0017	RD00125	SMD fixed resistor 1/10W	1.0MΩ ±5% 0603	R105	
0018	RD00129	SMD fixed resistor 1/4W	0.0Ω ±5% 1206	R108	
0019	RD00130	SMD fixed resistor 1/4W	10Ω ±5% 1206	R159,R167,R165,R166	
0020	RD00133	SMD fixed resistor 1/4W	100Ω ±5% 1206	R181,D400	
0021	RD00142	SMD fixed resistor 1/4W	10KΩ ±5% 1206	R102	
0022	RD00145	SMD fixed resistor 1/4W	33KΩ ±5% 1206	R164	
0023	RD00147	SMD fixed resistor 1/4W	100KΩ ±5% 1206	R116,R146,R151,R152,R153,R154,R155,R156,R300,R301,R136	
0024	RD00247	SMD precise resistor 1/4W	2.20KΩ ±1% 1206	R103,R161,R129,R185,R163	
0025	RD00303	SMD precise resistor 1/10W	57.6KΩ ±1% 0603	R127	
0026	RD00417	SMD precise resistor 1/4W	27.0KΩ ±1% 1206	R139	
0027	RD00428	SMD fixed resistor 1/4W	680Ω ±5% 1206	R162	
0028	RF00003	SMD semi-fixed resistor	EVN5ES X50B53-5K	P2	
0029	SE00011	SMD rectifier diode	RLS4148 0.5A (LL-34)	D100,D101,D104,D105,D106,D107,D108,D109,D110,D111,D120,D135,D136,D103,D133,D131,D132,D3	
0030	SE00012	SMD rectifier diode-RS	BAV103(PHI)	D2	
0031	SE00018	SMD zener diode-RS-ACT	1/2W 6.8V LL-34	D112,D113	
0032	SE00084	SMD zener diode-RS	1W 13V(ISMA4743)DO214AC/(PANJIT)	D118	
0033	SE00097	SMD diode-RS-CT	1A/400V US1G(DO214AC)/(VISHAY)	D117,D121,D300,D301,D5,D7	
0034	SF00082	transistor-RS-ACT	MMBT5401LT1G(SOT23)/(ON)	Q100,Q101	
0035	SG00122	SMD integrated circuit-RS-ACT	NJM4580M-TE3(SOP8)/(JRC)	U13	
0036	SG00306	SMD integrated circuit	LM393DR(TI)/(MEXICO)	U3,U4,U14	
0037	SG00495	SMD integrated circuit-RS	IR2156SPBF(SO14)/(IR)	U5	
0038	AE00553	SenJu solder paste	M705-GRN360-K2-V 0.5KG/bottle		
0039	SE00038	SMD L.E.D	green KPJA-2107SGD 90° 0802	DS2	
0040	RD00027	SMD fixed resistor 1/8W	4.7KΩ ±5% 0805	R28	
0041	RD00484	SMD fixed resistor 1/8W	4.7Ω ±5% 0805	R23	
0042	RD00003	SMD fixed resistor 1/8W	10Ω ±5% 0805	R4,R8,R10	
0043	CL00006	SMD tantalum capacitor-RS-ACT	10uF/16V case B2	C4,C6,C16,C19	
0044	CL00028	SMD tantalum capacitor-RS	33uF/10V case B2 (NEC ESVB21A336M)	C11	
0045	RD00481	SMD fixed resistor 1/8W	8.2KΩ ±5% 0805	R14	
0046	RD00025	SMD fixed resistor 1/8W	3.3KΩ ±5% 0805	R6	
0047	RD00612	SMD precise resistor-RS 1/8W	4.99KΩ ±1% 0805	R20	
0048	CI00021	SMD ceramic capacitor 0805	0.001uF/50V NPO ±5%	C2,C22,C24	
0049	RD00024	SMD fixed resistor 1/8W	3KΩ ±5% 0805	R53	
0050	CI00112	SMD ceramic capacitor 0805	0.01uF/50V X7R ±10%	C31	
0051	RD00018	SMD fixed resistor 1/8W	1.0KΩ ±5% 0805	R22	
0052	RD00042	SMD fixed resistor 1/8W	33KΩ ±5% 0805	R39,R44	
0053	RD00032	SMD fixed resistor 1/8W	10KΩ ±5% 0805	R29,R42	
0054	SG00667	SMD integrated circuit-RS	IRS2092S(SOIC16N)/(IR)	U2	
0055	HB03330	PCB-RS	DM 350W+65W MAIN_VER110315		
0033	NC03371	insulation piece-RS	TS 112A 1t*86*86_V1.0		fan and barrier
0034	MA08851	panel-RS	TS112A MK ALTO CHINA_V1.1		
0035	HD00013	glass tube fuse	3.15A 250V φ5*20mm CSA/S/UL/VDE		
0036	NI02590	cable tie	YJ-203V0 UL94V-0		fix the GND

Rank	Part No	Description	Specification	Insert Location	Remark
0037	MF00014	washer	φ3*φ6.5*0.5t		PRE GND
0038	MG00269	screw-RS	M3*6		PRE *2+EQ*4
0027	MF00032	washer	φ6.3*φ11*0.8t_V1.0		latch the handle
0028	MG00925	screw-RS	M5*50		plastic front panel and plastic rear cover*14
0029	HA01429	wire-RS	2P 795mm UL1007 24AWG		
0030	NI00246	sleeve	φ3*20mm		speaker front panel LED & cable soldering point
0031	SA00194	L.E.D	φ3		
0032	MG00935	screw-RS-CT	M4*20 441134020CN		latch the grille *6
0033	NA01121	silk wadding-RS-CT	TS112_V1.1		
0034	NI06073	cushion-RS-CT	ZEOX 15A 108.7*30.54mm black_V1.0		latch on handle
0035	NI06072	handle-RS-CT	ZEOX 15A 169.9*52.7mm black_V1.0		
0036	NI06071	fixed bracket-RS-CT-ABS	φ178*30 black_V1.1		
0037	ND01211	EV foam-RS-CT	1t*φ26*φ36 black_V1.0		on speaker bracket and tweeter bracket joint
0038	ND01212	EV foam-RS-CT	1t*φ36*φ45 black_V1.0		on speaker front panel and tweeter bracket
0039	NI06079	speaker rear cover-RS	ZEOX 12A 384*644*293 black_V1.0		
0040	NI06077	speaker panel-RS-CT	ZEOX 12A 383.7*639.66*127 black_V1.0		
0041	MD01554	iron net-RS	ZEOX 12A_V1.0		
0042	NE20841	label-RS-CT	TS112A_V1.1		unit(inside and outside)*2 , carton*1, manual*1
0043	NE20821	label-RS	TS112A_V1.0		unit*1
0044	NF03534	assurance card-RS	ALTO ALESIS_V1.0		
0045	NB06875	carton-RS-CT	TS112A ALTO_V1.3		
0046	MG00838	screw-RS	FLASH12 φ30.5*51.5_V1.0		
0047	MI05478	label-RS-ACT	ALESIS		
0048	MG00373	screw	M3*5mm		latch heat sink and tweeter speaker
0049	MI05479	heat-sink-RS-CT	TS 115A 3*30*15*36_V1.0		
0050	NI06135	fixed piece-RS-CT	TS 112A 5.12*54.66*54.66_V1.0		
0051	ND01228	EV foam-RS-CT	1t*50.5*50.5 black_V1.0		on back side of AL label and plastic fixed piece
0052	NF03558	user manual-RS	TS112A ALTO_V1.0		
0053	NE21070	label-RS-CT	Truesonic series_V1.0		on upper right corner of grille

Rank	Part No	Description	Specification	Insert Location	Remark
PC01751		SPEAKER	TS115A_ALTO_220-240V_CHINA_(NUMARK)		
0001	HK12819	speaker	15inch 200W 4Q(TS115A)		
0001	NH00233	cover-RS	φ109.4*20		
0002	NH00237	cushion-RS	φ378*351*8 EVA_V1.2		
0003	ND00227	sponge	S0721B_NYLON NET D35		
0004	MI01613	bracket-RS	φ383*φ72*112 P:90_V1.1		
0005	MH01110	rivet	M0500A_OU-30		
0006	HC00426	terminal-RS	M0021B_PT2.1_V1.0		
0007	HA02493	strand	TA4X4YKA42W*110mm		
0008	MH02056	magnet-RS	ψ135*ψ57*19 Y30_V1.0		
0009	MH02077	T-shape middle pillar-RS	φ129*φ50*28.5*8 P:55_V1.1		
0010	NH00492	cone-RS	φ361*52.1*94.5 YD:HB380-126		
0011	HG00355	voice coil-RS	BASV2L 50.5*36*3.6*0.29 13.6_V1.0		
0012	MH02501	washer-RS	φ129*52.6*8 P:90_V1.0		
0013	ND01185	spider-RS	φ122.5*50.8*15 0.6/100g LK:D-1225_V1.0		
0014	NE20778	label-RS	HK12819_V1.0		
0002	NI05562	fixed board-RS-ABS	JH531φ102*φ26mm		latch tweeter
0003	MG00456	screw	M6*22*1.0PH		tweeter bracket and speakon bracket
0004	ME00130	nut-RS	M6*1.0PH		tweeter bracket and speakon bracket
0005	NI02728	rubber foot	φ29.5*14 black		
0006	MG00488	screw-RS	M3.5*15		rubber foot*4
0007	MG00411	screw	M14*26*1.0PH_V1.1		speaker rear cover hanging hole
0008	ME00116	nut	M14*5*1.0PH_V1.3		speaker rear cover hanging hole
0009	MF00089	washer-RS-ACT	φ27.5*φ14.8*1.4t_V1.2		speaker rear cover hanging hole
0010	MG00334	screw-RS	M3*16mm		front panel & speaker cabinet*12
0011	MG00843	screw-RS	M5*20*φ10		woofer *8
0012	MG00064	screw	M3*10		handle & handle cushion*6
0013	MG00511	screw-RS	M4*37_V1.1		tweter bracket & speaker front panel*4
0014	MG00842	screw-RS	M5*40*φ10		handle & speaker rear panel*4
0015	NI02250	MIC jack	φ17*φ23.5*9		
0016	ND00387	dustproof cloth-RS	700*430*0.35mm black_1.1		
0017	ND00270	absorb sound sponge	700*430*50		
0018	ND00398	EV foam	SR500A-SUB 1205.5*15*2_V1.0		back of woofer *1
0019	ND00468	EV foam	1.0t*1210*13.5_V1.0		on module front panel
0020	HG00428	speaker-RS	JS-J25204 8Ω 20W SCREW ON		
0021	HA00861	power cord Europe 3P	LT-312+LT-501		
0022	HA02320	single terminal wiring	800mm UL1015 18AWG		tweeter connector
0023	HA02520	single terminal wiring	750mm UL1015 18AWG		woofer connector
0024	NI00218	cable tie	ALT-102SB		for wiring
0025	NA00880	PE bag-RS	0.03t*1200*800mm12 hole		unit
0026	NA00858	PE bag-RS	0.04t*240*160mm_V1.0		manual and warranty card
0027	HK12824	faceplate-RS	TS115A_ALTO_220-240V		
0001	MI05057	fixed bracket-RS	PMB8.350 UM 1.5t*122*66*12mm_V1.0		
0002	NI00218	cable tie	ALT-102SB		
0003	NI02386	konb-RS	φ14*13mm		1.VOLUME
0004	NI01862	key	5.5*5.5*14.5_V1.1		
0005	ME00016	color nut	4m/m		GND*1
0006	MF00038	washer-RS	φ4*φ7*1t		GND*1
0007	MF00048	washer-RS	φ4*φ8*0.5t		GND*1
0008	MG00162	screw	M3*8		AMP*4+MC01108*6
0009	MG00607	screw	M5*10		fix the fan*8
0010	MG00042	screw	M3*10		1.AC inlet
0011	HI00019	power switch	4P MSR-8		
0012	HC00008	AC socket	3515 A TYPE(RF-2004-C-4.8)		
0013	HA03670	wire	3P(male)-3P(female) 330mm UL1007 22AWG		PRE CN1 TO AMP CN100
0014	HA02238	wire-RS	2P-2P 160mm UL1185 26AWG		PRE CN3 TO AMP CN101
0015	HA05345	wire-RS	250mm UL1015 18AWG		to OUT1-HI
0016	HA03186	wire	100mm UL1015 14AWG		GND
0017	HA02710	wire-RS	100mm UL1015 14AWG		GND
0018	HE00141	fan-RS	DC12V/4000RPM 80*80*15mm 480mm 2.5 2P		
0019	MG00020	screw	M3*8		L shaped bracket*4
0020	HA01054	wire-RS	2P-2P 180mm UL1185 26AWG		PRE CN6 TO AMP CN102
0021	NI06123	knob-RS-CT	9.2*9.2*7.3(3.3*3.3)_V1.0		
0022	MC01108	top cover-RS	DM 350W+65W 1.2t*115.7*11*200_V1.3		

Rank	Part No	Description	Specification	Insert Location	Remark
0023	HA02536	wrie	145mm UL1617 18AWG brown		AC SW to AMP
0024	HA02535	wrie	145mm UL1617 18AWG black		AC SW to AMP
0025	HA04143	wire	100mm UL1015 18AWG brown		AC SW to AC inlet
0026	HA04141	wire	100mm UL1015 18AWG blue		AC SW to AC inlet
0027	MG00918	screw-RS	M2.6*9		MIC jack*6
0028	HA05536	wire-RS	280mm UL1007 18AWG		LOW OUT
0029	HK13111	PC board-RS	P-TS115A PRE-EQ-DIP		
0001	HC00259	connector(male)	8P 2.0mm 180°	CN4	
0002	HK13115	PC board-RS	P-TS115A PRE-EQ-AI		
0001	CB00411	electrolytic capacitor-RS	100uF/16V 105 φ5*11mm	C147,C148,C149,C150,C135	
0002	CB00260	electrolytic capacitor	47uF/35V φ5*11mm 2.5mm	C92,C93,C94,C95,C96,C97,C98,C99,C103,C104	
0003	CB00251	electrolytic capacitor	220UF/25V φ8*11mm	C154,C155	
0004	HK13113	PC board-RS	P-TS115A PRE-EQ-SMD		
0001	RD00102	SMD fixed resistor 1/10W	12KΩ ±5% 0603	R63	
0002	SG00122	SMD integrated circuit-RS-ACT	NJM4580M-TE3(SOP8)(JRC)	IC28,IC29,IC30,U26,U27,U31,U21,U22,U23,U24,U25,U32,U33,U34,U35,U36	
0003	RD00201	SMD precise resistor 1/10W	1.50KΩ ±1% 0603	R143	
0004	RD00275	SMD precise resistor 1/10W	110Ω ±1% 0603	R140,R160,R213	
0005	RD00214	SMD precise resistor 1/10W	10.0KΩ ±1% 0603	R67,R68,R69,R80,R81,R116,R117,R118,R119,R120,R121,R122	
0006	RD00360	SMD precise resistor 1/10W	121Ω ±1% 0603	R166	
0007	RD00217	SMD precise resistor 1/10W	14.0KΩ ±1% 0603	R91,R92,R93,R94	
0008	RD00200	SMD precise resistor 1/10W	150Ω ±1% 0603	R123,R124,R125	
0009	RD00368	SMD precise resistor 1/10W	16.5KΩ ±1% 0603	R159,R211	
0010	RD00219	SMD precise resistor 1/10W	20.0KΩ ±1% 0603	R84,R149,R150,R151,R152,R153	
0011	RD00593	SMD precise resistor-RS 1/10W	22.6KΩ± 1% 0603	R83	
0012	RD00203	SMD precise resistor 1/10W	2.00KΩ ±1% 0603	R99,R110,R111,R112,R113,R209	
0013	RD00323	SMD precise resistor 1/10W	3.09KΩ ±1% 0603	R154,R155,R156	
0014	RD00370	SMD precise resistor 1/10W	33.2KΩ ±1% 0603	R161	
0015	RD00324	SMD precise resistor 1/10W	4.12KΩ ±1% 0603	R87,R88	
0016	RD00286	SMD precise resistor 1/10W	4.53KΩ ±1% 0603	R142	
0017	RD00415	SMD precise resistor 1/10W	4.70KΩ ±1% 0603	R45,R229	
0018	RD00386	SMD precise resistor 1/10W	4.75KΩ ±1% 0603	R65	
0019	RD00210	SMD precise resistor 1/10W	5.11KΩ ±1% 0603	R126,R127,R128,R129,R130,R131,R132,R133,R134,R135,R136	
0020	RD00365	SMD precise resistor 1/10W	5.62KΩ ±1% 0603	R82,R97,R98	
0021	RD00299	SMD precise resistor 1/10W	5.76KΩ ±1% 0603	R147,R148,R158	
0022	RD00371	SMD precise resistor 1/10W	51.1KΩ ±1% 0603	R137,R138,R139,R167	
0023	RD00822	SMD precise resistor 1/10W	5.60KΩ ±1% 0603	R44,R52,R59,R168,R169	
0024	RD00300	SMD precise resistor 1/10W	6.04KΩ ±1% 0603	R162	
0025	RD00287	SMD precise resistor 1/10W	6.34KΩ ±1% 0603	R163,R164,R165	
0026	RD00326	SMD precise resistor 1/10W	6.80KΩ ±1% 0603	R95,R96	
0027	RD00289	SMD precise resistor 1/10W	8.06KΩ ±1% 0603	R114,R115	
0028	RD00327	SMD precise resistor 1/10W	8.20KΩ ±1% 0603	R89,R90,R60,R61,R170,R171	
0029	CI00129	SMD ceramic capacitor 0603	0.0015uF/50V X7R ±10%	C136,C151	
0030	CI00071	SMD ceramic capacitor 0603	0.01uF/50V X7R ±10%	C119,C120,C121,C122	
0031	CI00123	SMD ceramic capacitor 0603	0.027uF/50V X7R ±10%	C145,C146	
0032	CI00065	SMD ceramic capacitor 0603	0.001uF/50V X7R ±10%	C71,C81	
0033	CI00109	SMD ceramic capacitor 0603	20PF/50V C0G±5%(C1608C0G1H200JT)/TDK	C125,C126,C127,C128,C129,C130,C131,C132,C133,C134	
0034	CI00174	SMD ceramic capacitor 0603	0.47uF/25V +80;-20%(C1608Y5V1E474ZT)/TDK	C74,C75,C76,C77	
0035	CI00348	SMD ceramic capacitor 0805	0.33uF/50V X7R ±10%	C78,C79,C152,C153	
0036	CI00234	SMD ceramic capacitor 0603	0.0033uF/50VC0G±5%(C1608C0G1H332JT)/TDK	C142,C143	
0037	CI00206	SMD ceramic capacitor 0603	0.047uF/50V ±10%(C1608X7R1H473KT)/TDK	C123,C124	

Rank	Part No	Description	Specification	Insert Location	Remark
0038	CI00211	SMD ceramic capacitor 0603	0.15uF/25V X7R±10%(C1608X7R1E154KT)/TDK	C138,C139	
0039	CI00185	SMD ceramic capacitor 0603	0.1uF/50V X7R±10%(C1608X7R1H104KT)/TDK	C82,C83,C84,C85,C86,C87,C88	
0040	CI00217	SMD ceramic capacitor 0603	100PF/50V C0G ±5%(C1608C0G1H101JT)/TDK	C89,C90,C91	
0041	CI00201	SMD ceramic capacitor 0603	0.01uF/50V ±10%(C1608X7R1H103KT)/TDK	C105,C106,C107,C108,C109,C110,C111,C112,C113,C114,C115,C116,C117,C118,C156,C157,C158,C159,C160,C161,C162,C163,C164,C165,C166,C167	
0042	CI00223	SMD ceramic capacitor 0603	390PF/50V C0G ±5%(C1608C0G1H391JT)/TDK	C141	
0043	CI00055	SMD ceramic capacitor 0603	47PF/50V C0G±5%(C1608C0G1H470JT)/TDK	C10,C72,C73	
0044	CI00226	SMD ceramic capacitor 0603	680PF/50V C0G ±5%(C1608C0G1H681JT)/TDK	C140	
0045	CI00227	SMD ceramic capacitor 0603	820PF/50V C0G ±5%(C1608C0G1H821JT)/TDK	C80	
0046	AE00553	SenJu solder paste	M705-GRN360-K2-V 0.5KG/bottle		
0047	RD00322	SMD precise resistor 1/10W	2.70KΩ ±1% 0603	R157	
0048	RD00302	SMD precise resistor 1/10W	28.0KΩ ±1% 0603	R85,R86	
0049	RD00332	SMD precise resistor 1/10W	680Ω ±1% 0603	R228	
0050	RD00330	SMD precise resistor 1/10W	39.0KΩ ±1% 0603	R226,R227	
0051	RD00445	SMD precise resistor 1/10W	2.43KΩ ±1% 0603	R224	
0052	RD00701	SMD precise resistor-RS	2.20KΩ ± 0.1% 0603	R223	
0053	RD00450	SMD precise resistor 1/10W	48.7KΩ ±1% 0603	R221,R222	
0054	RD00349	SMD fixed resistor 1/10W	910Ω ±5% 0603	R219	
0055	RD00334	SMD precise resistor 1/10W	11.0KΩ ±1% 0603	R217	
0056	RD00329	SMD precise resistor 1/10W	30.0KΩ ±1% 0603	R215,R216	
0057	RD00321	SMD precise resistor 1/10W	1.20KΩ ±1% 0603	R208,R218	
0058	RD00338	SMD precise resistor 1/10W	9.10KΩ ±1% 0603	R206,R207	
0059	RD00385	SMD precise resistor 1/10W	3.01KΩ ±1% 0603	R205	
0060	RD00339	SMD precise resistor 1/10W	47.0KΩ ±1% 0603	R204,R210,R214,R220,R225,R230	
0061	RD00483	SMD precise resistor 1/10W	16.0KΩ ±1% 0603	R202,R203,R212	
0062	RD00221	SMD precise resistor 1/10W	27.4KΩ ±1% 0603	R200,R201	
0063	HB03332	PCB-RS	TS112A EQ PRE_VER110324		
0003	AC00603	lead free soldering bar	S100		
0030	MG00261	copper pillar	M3*8.5*0.5PH		fix EQ board
0031	HK13138	PC board-RS	P-DM 350W+65W MAIN-DIP		
0001	MB06319	chassis-RS	DM 350W+65W(ME00221)_V1.2		
0002	NI05590	barrier-RS	DM 350W+65W 0.5*110*115_V1.0		
0003	ME00016	color nut	4m/m		
0004	ME00226	screw-RS	M3*0.5PH		IC*3+tab*3+Z tab*1+GND*1
0005	MF00038	washer-RS	φ4*φ7*1t		
0006	MG00162	screw	M3*8		latch Q104,Q105+fix PCB*7PCS
0007	MG00566	screw	M3*10*0.5PH_V1.0		IC*3PCS+tab*3PCS+Z tab*1PCS
0008	MI00178	heat-sink piece	MB217*25m/m*1PIN		latch Q104,Q105
0009	MJ00344	solder plate	AMP		
0010	MK00103	spring piece	0.5t*22.67*6.5*42.5_V1.0		latch Q102, Q103
0011	MK00115	spring-RS	1.0T*7.6*13*34.2(ML00004)_V 1.3		latchU1
0012	NC00129	mica-RS	PSA-31300 45*24*0.1t_V1.1		latch U1
0013	NC00167	mica-RS	13*18(φ3.6)TO-220		latch Q104,Q105
0014	NC01179	insulator spacer-RS	0.13t*40mm*55mm(HI-FLOW-625)		latch Q102, Q103
0015	AD00012	twin adhesive-RS	90*120mm_V1.0		ZD-barrier
0016	NI04253	sleeve-RS	φ28*50M T-2		MK00103
0017	NI00224	sleeve	φ1*10mm		PR1
0018	AC00603	lead free soldering bar	S100		
0019	NE19290	label-RS-CT	DM 350W+65W_V1.0		
0020	NE19289	label-RS	DM350W+65W_V1.0		
0021	NI02249	plastic washer	TW-1(TO-220)		latch Q104,Q105
0022	HA01219	wire-RS	40mm UL1015 18AWG	JP300	
0023	CB00049	electrolytic capacitor	100uF/35V φ8*11mm	C140,C141	
0024	CB00156	electrolytic capacitor	4700uF/63V φ25*35mm	C133,C135	

Rank	Part No	Description	Specification	Insert Location	Remark
0025	CB00170	electrolytic capacitor	1000uF/100V φ18*35.5mm	C115,C116	
0026	CB00321	electrolytic capacitor-RS	470uF/180V φ25*25mm	C124,C125	
0027	CB00322	electrolytic capacitor-RS	820uF/35V 105 WL φ10*30mm(JAMICON)	C160,C161	
0028	CF00033	metal-film capacitor MEF	0.1uF/250V 10%	C111,C113,C114	
0029	CF00059	metal-film capacitor FKP	220PF/630V (PFR5 221J630J11L4)	C109	
0030	CF00222	metal-film capacitor-RS MKT	1.0uF/250V 5%(BFC237341105)	C110	
0031	CF00223	metal-film capacitor-RS MKP	0.068uF/630V 5%(BFC238320683)	C138,C139	
0032	CG00018	filter-EMI FILTER	LF-22UH(WAH TAYI)	L101	
0033	CG00023	X1/Y1 capacitor	0.0022uF/250VAC Y5U	C120,C121,C122,C123	
0034	CG00056	X2 capacitor	0.47uF/275VAC	C118,C119	
0035	CG00065	X2-capacitor MPX	1.0uF/275V VDE/UL/CSA	C117	
0036	CN00069	inductance-EMI SUPPRESSOR-RS-ACT	TB36-13-850485	L106,L107	
0037	CN00160	inductance	2.7mH φ0.7*28.5T	L104,L105	
0038	CN00265	fixed inductance-RS	20uH/10A QY-10623218-01	L103	
0039	HA01919	jump	5mm	L102B	
0040	HA02441	jump	7.5mm	R401	
0041	HC00063	FUSE holder	JEF-501 (5.2mm)		
0042	HC00076	connector(male)	2P 2.5mm 180°	CN104,CN105,CN102,CN101	
0043	HC00077	connector(male)	3P 2.5mm 180°	CN100	
0044	HC00134	connector	2.54 180° 2P(gold-plated) 6/11.6mm	CON107	
0045	HC00324	connect terminal	6.5m/m (PC250)	J101,J102,J103,J104,J105,J106	
0046	HC00858	terminal block-RS	2P 2EHDV-02P male	J107	
0047	HD00011	glass tube fuse	5A 250V φ5.2*20mm CSA/S/UL/VDE	F101,F102	
0048	HD00114	ceramic tube fuse-RS	6.3A 250V φ5.2*20mm CSA/PSE/UL/VDE	F100	
0049	RA00006	metal-oxide-film resistor 1W	10Ω	R106,R131	
0050	RA00009	metal-oxide-film resistor 1W	47Ω	R175	
0051	RA00015	metal-oxide-film resistor 1W	1KΩ	R133,R176	
0052	RA00051	metal-oxide-film resistor 2W	5.6Ω	R178	
0053	RA00150	fixed resistor 1/2W	100KΩ	R148,R149	
0054	RA01409	fixed resistor 1/8W	1Ω	D127	
0055	RA01451	chassis bracket 7W	0.1Ω ±5% SQP type	R168	
0056	RA01724	metal-oxide-film resistor-RS	1Ω ±5%	R170,R172,R184	
0057	RG00012	over current protector	0.5A 60V MF-R050	R186	
0058	RH00013	thermistor	47KΩ (M891 B57891-M473-J)	R115	
0059	RH00033	thermistor-RS-CT	5Ω B57235S-0509M000/(EPCOS)	R147	
0060	RH00037	thermistor-RS-ACT	330Ω PTFLO4BG222Q2N34B0/(MURATA)	PR1,R119	
0061	SA00004	high speed diode-RS	2A/100V BYV27-200,113	D114,D115	
0062	SA00094	rectifier diode	1N4002/100V	D401	
0063	SA00134	diode-RS-ACT	6A/200V/35ns FE6D	D122,D123,D124,D125	
0064	SA00220	diode	3A/600V SF38	D128,D129,D130,D134	
0065	SA00316	bridge rectifier-RS	8A GBU-8K/(PANJIT)	D116	
0066	SB00081	voltage stabilized transistor-RS-ACT	UTC78L05(TO92)/(UTC)	U8	
0067	SB00083	voltage stabilized transistor-RS-ACT	UTC79L05(TO92)/(UTC)	U10	
0068	SB00223	transistor-RS-CT	HGTG7N60A4D(TO247)/(FAIRCHLD)	Q102,Q103	
0069	SB00284	transistor-RS	IRFB4020PBF(TO220AB)/(IR)	Q104,Q105	
0070	SD00084	integrated circuit	TDA7294(MULTIWATT15)/(ST)	U1	
0071	SD00341	integrated circuit-RS-C	NJM7815FA(TO220F)/(JRC)	U6	
0072	SD00342	integrated circuit-RS-C	NJM7915FA(TO220F)/(JRC)	U9	
0073	SD00380	integrated circuit-RS	NJM7812FA(TO220F)/(JRC)	U7	
0074	SD00441	integrated circuit-RS-ACT	LM317T-0.55T(TO220)/(ST)	U400	
0075	TC00430	transistor-RS	PT-DM 350W+65W	T1	
0076	HK13141	PC board-RS	P-DM 350W+65W MAIN-AI		
0001	CB00019	electrolytic capacitor	10uF/50V NP φ5*11mm	C108	
0002	CB00177	electrolytic capacitor	22uF/50V NP φ5*11mm	C150,C151,C152,C164,C165	
0003	CB00234	electrolytic capacitor	10uF/50V φ6*7mm	C166,C167	
0004	CB00235	electrolytic capacitor	100uF/25V φ6*11mm	C147,C148,C153,C401,C402,C403	
0005	CB00260	electrolytic capacitor	47uF/35V φ5*11mm 2.5mm	C142,C143,C168	
0006	CB00412	electrolytic capacitor-RS	1.0uF/50V 105 φ4*7mm	C131	
0007	CF00141	metal-film capacitor MSC	0.0068uF/100V 5% CASE01	C132	
0008	CF00155	metal-film capacitor MSC	0.22uF/63V 5% CASE02	C177	
0009	CF00179	metal-film capacitor ESK	0.0022uF/100V 5% CASE01	C176	
0010	CF00183	metal-film capacitor MSC	0.1uF/100V 5% CASE01	C112,C169,C145,C170	
0011	HK13140	PC board-RS	P-DM 350W+65W MAIN-SMD		
0001	CI00061	SMD ceramic capacitor 0603	220PF/50V NPO ±5%	C103,C174	
0002	CI00075	SMD ceramic capacitor 0603	0.1uF/50V Y5V +80,-20%	C106,C107,C173,C100,C101,C102,C163,C175	

Rank	Part No	Description	Specification	Insert Location	Remark
	0003	CI00103	SMD ceramic capacitor 1206	100PF/50V NPO ±5%	C134
	0004	CI00136	SMD ceramic capacitor 1206	560PF/50V NPO ±5%	C126
	0005	CI00175	SMD ceramic capacitor 0603	1.0uF/16V X7R±10%(C1608X7R1C105KT)/TDK	C104
	0006	CI00195	SMD ceramic capacitor 1206	4.7uF/25V Y5V +80%;-20%	C178
	0007	CI00212	SMD ceramic capacitor1206	0.047uF/50V X7R ±5%	C127
	0008	CI00269	SMD ceramic capacitor-RS 1206	1.0uF/25V X7R ±10%	C146,C171,C172,C136,C128,C129,C130,C154
	0009	RD00059	SMD fixed resistor 1/10W	0.0Ω ±5% 0603	R158,R173,R114,R125
	0010	RD00065	SMD fixed resistor 1/10W	47Ω ±5% 0603	R144,R145,R118,R137,R157
	0011	RD00077	SMD fixed resistor 1/10W	390Ω ±5% 0603	R174
	0012	RD00083	SMD fixed resistor 1/10W	1.0KΩ ±5% 0603	R107,R123,R143,R160,R188,R190,R177
	0013	RD00087	SMD fixed resistor 1/10W	2.0KΩ ±5% 0603	R111,R113,R109,R134,R135
	0014	RD00101	SMD fixed resistor 1/10W	10KΩ ±5% 0603	R191,R192,R150,R187,R189
	0015	RD00106	SMD fixed resistor 1/10W	27KΩ ±5% 0603	R104
	0016	RD00116	SMD fixed resistor 1/10W	100KΩ ±5% 0603	R100,R101,R117,R122,R138,R140,R141,R142
	0017	RD00125	SMD fixed resistor 1/10W	1.0MΩ ±5% 0603	R105
	0018	RD00129	SMD fixed resistor 1/4W	0.0Ω ±5% 1206	R108
	0019	RD00130	SMD fixed resistor 1/4W	10Ω ±5% 1206	R159,R167,R165,R166
	0020	RD00133	SMD fixed resistor 1/4W	100Ω ±5% 1206	R181,D400
	0021	RD00142	SMD fixed resistor 1/4W	10KΩ ±5% 1206	R102
	0022	RD00145	SMD fixed resistor 1/4W	33KΩ ±5% 1206	R164
	0023	RD00147	SMD fixed resistor 1/4W	100KΩ ±5% 1206	R116,R146,R151,R152,R153,R154,R155,R156,R300,R301,R136
	0024	RD00247	SMD precise resistor 1/4W	2.20KΩ ±1% 1206	R103,R161,R129,R185,R163
	0025	RD00303	SMD precise resistor 1/10W	57.6KΩ ±1% 0603	R127
	0026	RD00417	SMD precise resistor 1/4W	27.0KΩ ±1% 1206	R139
	0027	RD00428	SMD fixed resistor 1/4W	680Ω ±5% 1206	R162
	0028	RF00003	SMD semi-fixed resistor	EVN5ES X50B53-5K	P2
	0029	SE00011	SMD rectifier diode	RLS4148 0.5A (LL-34)	D100,D101,D104,D105,D106,D107,D108,D109,D110,D111,D120,D135,D136,D103,D133,D131,D132,D3
	0030	SE00012	SMD rectifier diode-RS	BAV103(PHI)	D2
	0031	SE00018	SMD zener diode-RS-ACT	1/2W 6.8V LL-34	D112,D113
	0032	SE00084	SMD zener diode-RS	1W 13V(ISMA4743)DO214AC/(PANJIT)	D118
	0033	SE00097	SMD diode-RS-CT	1A400V US1G(DO214AC)/(VISHAY)	D117,D121,D300,D301,D5,D7
	0034	SF00082	transistor-RS-ACT	MMBT5401LT1G(SOT23)/(ON)	Q100,Q101
	0035	SG00122	SMD integrated circuit-RS-ACT	NJM4580M-TE3(SOP8)/(JRC)	U13
	0036	SG00306	SMD integrated circuit	LM393DR(TI)/(MEXICO)	U3,U4,U14
	0037	SG00495	SMD integrated circuit-RS	IR2156SPBF(SO14)/(IR)	U5
	0038	AE00553	SenJu solder paste	M705-GRN360-K2-V 0.5KG/bottle	
	0039	SE00038	SMD L.E.D	green KPJA-2107SGD 90° 0802	DS2
	0040	RD00027	SMD fixed resistor 1/8W	4.7KΩ ±5% 0805	R28
	0041	RD00484	SMD fixed resistor 1/8W	4.7Ω ±5% 0805	R23
	0042	RD00003	SMD fixed resistor 1/8W	10Ω ±5% 0805	R4,R8,R10
	0043	CL00006	SMD tantalum capacitor-RS-ACT	10uF/16V case B2	C4,C6,C16,C19
	0044	CL00028	SMD tantalum capacitor-RS	33uF/10V case B2 (NEC ESVB21A336M)	C11
	0045	RD00481	SMD fixed resistor 1/8W	8.2KΩ ±5% 0805	R14
	0046	RD00025	SMD fixed resistor 1/8W	3.3KΩ ±5% 0805	R6
	0047	RD00612	SMD precise resistor-RS 1/8W	4.99KΩ ±1% 0805	R20
	0048	CI00021	SMD ceramic capacitor 0805	0.001uF/50V NPO ±5%	C2,C22,C24
	0049	RD00024	SMD fixed resistor 1/8W	3KΩ ±5% 0805	R53
	0050	CI00112	SMD ceramic capacitor 0805	0.01uF/50V X7R ±10%	C31
	0051	RD00018	SMD fixed resistor 1/8W	1.0KΩ ±5% 0805	R22
	0052	RD00042	SMD fixed resistor 1/8W	33KΩ ±5% 0805	R39,R44
	0053	RD00032	SMD fixed resistor 1/8W	10KΩ ±5% 0805	R29,R42
	0054	SG00667	SMD integrated circuit-RS	IRS2092S(SOIC16N)/(IR)	U2
	0055	HB03330	PCB-RS	DM 350W+65W MAIN_VER110315	
0032	NC03371	insulation piece-RS	TS 112A 1t*86*86_V1.0		fan and barrier
0033	MA08850	panel-RS	TS115A MK ALTO CHINA_V1.1		
0034	HD00013	glass tube fuse	3.15A 250V φ5*20mm CSA/S/UL/VDE		
0035	HK13153	PC board-RS	P-TS115A PRE-DIP		
0001	CF00014	metal-film capacitor MEC	0.01uF/400V 10%	C14	
0002	SA00105	zener diode	1W 12V 1N4742	ZD1,ZD2,ZD3,ZD4,ZD6,ZD7,ZD8,ZD9	
0003	CB00065	electrolytic capacitor	470uF/25V φ10*16mm	C32,C33	
0004	HC00076	connector(male)	2P 2.5mm 180°	CN2,CN3,CN6	
0005	HC00077	connector(male)	3P 2.5mm 180°	CN1	

Rank	Part No	Description	Specification	Insert Location	Remark
0006	HC00392	balance MIC jack-RS	JY-5030-030G 180°	MIC2	
0007	HI00162	push-button switch	2 paragraphs 6p PS-22E8552L	SW2,SW3	
0008	SB00014	Photodiode-RS-ACT	VTL5C4	D3	
0009	SA00053	L.E.D	φ3 round(red)long foot 26mm	DL1	
0010	SA00052	L.E.D	φ3 round(green)long foot 26	DL2	
0011	NI04453	LED spacer support-RS	LEDS-21 21mm	DL1,DL2	
0012	AC00603	lead free soldering bar	S100		
0013	HK13155	PC board-RS	P-TS115A PRE-AI		
0001	SB00034	transistor	2SC1815GR(SC43)/(TOSHIBA)	TR1	
0002	SB00033	transistor-RS-ACT	2SA1015-GR(SC43)/(TOSHIBA)	Q100	
0003	SB00096	transistor-RS-ACT	2SC2878A(SC43)/(TOSHIBA)	Q102	
0004	CB00263	electrolytic capacitor	10uF /25V φ4*7mm	C100	
0005	CB00194	electrolytic capacitor	47uF/25V φ5*11mm	C1,C2,C7,C8,C9,C11,C64,C66,C67,C70	
0006	CB00248	electrolytic capacitor	2.2uF/50V φ4*5mm	C101,C18,C19	
0007	CB00406	electrolytic capacitor-RS	220uF/16V 105 φ6.3*11mm	C102	
0008	CF00243	metal-film capacitor-RS	0.027uF/100V 5% CASE01	C20	
0009	CF00148	metal-film capacitor	0.0033uF/100V 5% CASE01	C47,C48	
0010	CF00019	metal-film capacitor MSC	0.015uF/100V 5% CASE01	C34,C35	
0011	CF00242	metal-film capacitor-RS	0.0056uF/100V 5% CASE01	C44,C45,C46	
0012	CF00183	metal-film capacitor MSC	0.1uF/100V 5% CASE01	C15,C16	
0013	CF00016	metal-film capacitor MSC	0.01uF/100V 5% CASE01	C21	
0014	CF00166	metal-film capacitor ESK	0.0027uF/100V 5% CASE01	C55	
0015	HK13154	PC board-RS	P-TS115A PRE-SMD		
0001	CI00029	SMD ceramic capacitor 0805	0.1uF/50V Y5V	C22,C23,C24,C25,C26,C27,C28,C29,C30,C31,C42,C43,C49,C50,C51,C52,C53,C54,C57,C58,C59,C60,C61,C62,C71,C72	
0002	RD00002	SMD fixed resistor 1/8W	0.0Ω ±5% 0805	R18,R64,R66A,R108,ZD5	
0003	RD00006	SMD fixed resistor 1/8W	100Ω ±5% 0805	R25,R62	
0004	RD00049	SMD fixed resistor 1/8W	100KΩ ±5% 0805	R31,R32,R37,R38,R39,R103,R104	
0005	RD00032	SMD fixed resistor 1/8W	10KΩ ±5% 0805	R8,R9,R10,R15,R20,R29,R30,R33B,R35,R36,R40,R42,R43,R46,R47,R48,R49,R50,R54,R55,R56,R57,R70,R77,R79	
0006	CI00001	SMD ceramic capacitor 0805	10PF/50V NPO	C17	
0007	RD00682	SMD precise resistor-RS 1/8W	13.0KΩ ±1% 0805	R53	
0008	RD00050	SMD fixed resistor 1/8W	150KΩ ±5% 0805	R17	
0009	RD00034	SMD fixed resistor 1/8W	15KΩ ±5% 0805	R3	
0010	RD00018	SMD fixed resistor 1/8W	1.0KΩ ±5% 0805	R21,R22	
0011	RD00056	SMD fixed resistor 1/8W	1.0MΩ ±5% 0805	R7,R78	
0012	RD00227	SMD precise resistor 1/8W	200Ω ±1% 0805	R105,R106	
0013	RD00230	SMD precise resistor 1/8W	470Ω ±1% 0805	R14	
0014	RD00037	SMD fixed resistor 1/8W	20KΩ ±5% 0805	R11,R71,R72	
0015	RD00052	SMD fixed resistor 1/8W	220KΩ ±5% 0805	R23	
0016	RD00038	SMD fixed resistor 1/8W	22KΩ ±5% 0805	R101	
0017	CI00007	SMD ceramic capacitor 0805	22PF/50V NPO	C3,C4,C5,C6,C63,C65,C68,C69,C36,C37,C39,C40,C41	
0018	RD00022	SMD fixed resistor 1/8W	2.0KΩ ±5% 0805	R26,R28	
0019	RD00625	SMD precise resistor-RS 1/8W	3.32KΩ ±1% 0805	R27	
0020	RD00012	SMD fixed resistor 1/8W	330Ω ±5% 0805	R73	
0021	RD00024	SMD fixed resistor 1/8W	3KΩ ±5% 0805	R107	
0022	RD00045	SMD fixed resistor 1/8W	51KΩ ±5% 0805	R109	
0023	RD00027	SMD fixed resistor 1/8W	4.7KΩ ±5% 0805	R1,R2,R33,R74,R4,R5,R34,R76	
0024	RD00044	SMD fixed resistor 1/8W	47KΩ ±5% 0805	R75	
0025	CI00012	SMD ceramic capacitor 0805	47PF/50V NPO	C12,C13,C38	
0026	RD00030	SMD fixed resistor 1/8W	6.8KΩ ±5% 0805	R13,R24	
0027	RD00031	SMD fixed resistor 1/8W	7.5KΩ ±5% 0805	R58	
0028	SE00011	SMD rectifier diode	RLS4148 0.5A (LL-34)	D1,D2,D100,D101,D102,D103	
0029	SG00122	SMD integrated circuit-RS-ACT	NJM4580M-TE3(SOP8)/(JRC)	U1,U2,U3,U4,U5,U6,U7,U8,U9,U10,U11,U12	
0030	AE00553	SenJu solder paste	M705-GRN360-K2-V 0.5KG/bottle		
0031	RD00228	SMD precise resistor 1/8W	220Ω ±1% 0805	R6,R66	
0032	RD00035	SMD fixed resistor 1/8W	16KΩ ±5% 0805	R12	
0033	RD00675	SMD fixed resistor-RS 1/8W	4.12KΩ ±1% 0805	R41	
0034	RD00739	SMD precise resistor-RS	5.1KΩ ±1% 0805	R51	



Rank	Part No	Description	Specification	Insert Location	Remark
0035	HB03331	PCB-RS	TS112A PRE(1*4)_VER110324		
0014	HA03127	wire-RS	8P(male)-8P(female) 150mm UL1007 28AWG	CP4	
0015	HA01919	jump	5mm	C56	
0016	CG00063	filter-EMI FILTER	LF-22UH(WAH TAYI)	L1,L2,L3,L4	
0017	RA01258	fixed resistor 1/4W	10Ω	R16	
0018	RA01114	fixed resistor 1/4W	2.2KΩ	R102	
0019	RA01234	fixed resistor 1/4W	4.7KΩ	R100	
0020	HC01212	balance MIC jack-RS	K6X01V-6-3A	MIC1,MIC3	
0021	RC00230	potentiometer	A100KΩ R0911NOB-V1-A104FN00-00	VR1,VR2	
0022	RA01271	fixed resistor 1/4W	5.1KΩ		
0036	NI02590	cable tie	YJ-203V0 UL94V-0		fix the GND
0037	MF00014	washer	φ3*φ6.5*0.5t		PRE GND
0038	MG00269	screw-RS	M3*6		PRE *2+EQ*4
0028	MF00032	washer	φ6.3*φ11*0.8t_V1.0		latch the handle
0029	MG00925	screw-RS	M5*50		plastic front panel and plastic rear cover*14
0030	HA01429	wire-RS	2P 795mm UL1007 24AWG		
0031	NI00246	sleeve	φ3*20mm		speaker front panel LED & cable soldering point
0032	SA00194	L.E.D	φ3		
0033	MG00935	screw-RS-CT	M4*20 441134020CN		latch the grille *6
0034	NA01122	silk wadding-RS-CT	TS115_V1.1		
0035	NI06073	cushion-RS-CT	ZEOX 15A 108.7*30.54mm black_V1.0		latch on handle
0036	NI06071	fixed bracket-RS-CT-ABS	φ178*30 black_V1.1		
0037	ND01211	EV foam-RS-CT	1t*φ26*φ36 black_V1.0		on speakon bracket and tweeter bracket joint
0038	ND01212	EV foam-RS-CT	1t*φ36*φ45 black_V1.0		on speaker front panel and tweeter bracket
0039	NI06082	speaker rear cover-RS	ZEOX 15A 429.93*679*312.7 black_V1.0		
0040	NI06080	speaker panel-RS-CT	ZEOX 15A 430.8*674.7*172 black_V1.1		
0041	NI06072	handle-RS-CT	ZEOX 15A 169.9*52.7mm black_V1.0		
0042	MD01556	iron net-RS	ZEOX 15A_V1.0		
0043	NE20842	label-RS-CT	TS115A_V1.1		unit(inside and outside)*2 , carton*1, manual*1
0044	NE20822	label-RS	TS115A_V1.0		unit*1
0045	NB06877	carton-RS-CT	TS115A ALTO_V1.3		
0046	NF03534	assurance card-RS	ALTO ALESIS_V1.0		
0047	MG00838	screw-RS	FLASH12 φ30.5*51.5_V1.0		
0048	MI05478	label-RS-ACT	ALESIS		
0049	MG00373	screw	M3*5mm		latch heat sink and tweeter speakon
0050	MI05479	heat-sink-RS-CT	TS 115A 3*30*15*36_V1.0		
0051	NI06135	fixed piece-RS-CT	TS 112A 5.12*54.66*54.66_V1.0		
0052	ND01228	EV foam-RS-CT	1t*50.5*50.5 black_V1.0		on back side of AL label and plastic fixed piece
0053	NF03557	user manual-RS	TS115A ALTO_V1.0		
0054	NE21070	label-RS-CT	Truesonic series_V1.0		on upper right corner of grille

Rank	Part No	Description	Specification	Insert Location	Remark
PC01815		SPEAKER	TS112A_ALTO_240V_CHINA_(NUMARK)		
0001	SA00194	L.E.D	φ3		
0002	NI00246	sleeve	φ3*20mm		LED on speaker front panel & cable boning joint
0003	NI00218	cable tie	ALT-102SB		for wiring
0004	NI02728	rubber foot	φ29.5*14 black		
0005	NI02250	MIC jack	φ17*φ23.5*9		
0006	ND00270	absorb sound sponge	700*430*50		on back side of tweeter
0007	ND00468	EV foam	1.0t*1210*13.5_V1.0		on front panel of module
0008	ND00374	EV foam	2.0t*948*18mm black_V1.0		on back side of woofer*1
0009	MG00064	screw	M3*10		latch handle & handle cushion*6
0010	MG00411	screw	M14*26*1.0PH_V1.1		speaker rear cover hanging hole
0011	ME00130	nut-RS	M6*1.0PH		tweeter bracket & speakon bracket
0012	ME00116	nut	M14*5*1.0PH_V1.3		speaker rear cover hanging hole
0013	MG00456	screw	M6*22*1.0PH		tweeter bracket & speakon bracket
0014	MG00334	screw-RS	M3*16mm		front panel & cabinet*12
0015	MG00488	screw-RS	M3.5*15		1.rubber foot *4
0016	MG00511	screw-RS	M4*37_V1.1		tweeter bracket & speaker front panel* 4
0017	HA01429	wire-RS	2P 795mm UL1007 24AWG		
0018	HA00866	power cord (British 3P)	LT-318+0.75*3C(H05VV-F) 6FT+LT-501		
0019	HA02320	signle terminal wiring	800mm UL1015 18AWG		tweeter connector
0020	HA02520	signle terminal wiring	750mm UL1015 18AWG		woofer connector
0021	MG00843	screw-RS	M5*20*φ10		woofer*8
0022	MG00842	screw-RS	M5*40*φ10		latch handle & speaker rear cap*4
0023	NA00880	PE bag-RS	0.03t*1200*800mm12 hole		packaging unit
0024	NA00858	PE bag-RS	0.04t*240*160mm_V1.0		manual & warranty card
0025	NI05562	fixed board-RS-ABS	JH531φ102*φ26mm		latch tweeter
0026	MF00032	washer	φ6.3*φ11*0.8t_V1.0		latch the handle
0027	MF00089	washer-RS-ACT	φ27.5*φ14.8*1.4t_V1.2		speaker rear cover hanging hole
0028	HK12183	SPEAKER	12inch 200W 4Q(PS4LA)		
0001	NH00241	cover-RS	φ97*18.4		
0002	NH00243	cushion-RS	φ315*280*8 EVA_V1.1		
0003	ND00350	spider-RS	φ150*φ50.8*8 MC-1038 0.6/50g_V1.0		
0004	ND00227	sponge	S0721B_NYLON NET D35		
0005	MI01517	bracket-RS	φ318*φ60*64 P:76_V1.0		
0006	MH01568	WASHER-RS	φ129*φ52.5*8 P:76_V1.2		
0007	MH02056	magnet-RS	ψ135*ψ57*19 Y30_V1.0		
0008	MH01110	rivet	M0500A_OU-30		
0009	HC00426	terminal-RS	M0021B_PT2.1_V1.0		
0010	NI02583	terminal block	3.5*24.5*3t		
0011	HA02493	strand	TA4X4YKA42W*110mm		
0012	HG00355	voice coil-RS	BASV2L 50.5*36*3.6*0.29 13.6_V1.0		
0013	MH02077	T-shape middle pillar-RS	φ129*φ50*28.5*8 P:55_V1.1		
0014	MH01975	magnet-RS	ψ100*ψ45*15 Y30_V1.0		
0015	NE20041	label-RS	HK12183_V1.0		
0016	NH00620	cone-RS	φ297*φ51.2*76 HC:1232-NP-WN11_V1.0		
0029	HG00428	speaker-RS	JS-J25204 8Q 20W SCREW ON		
0030	MG00925	screw-RS	M5*50		latch plastic front panel & plastic rear cap*14
0031	MG00935	screw-RS-CT	M4*20 441134020CN		latch grille *6
0032	NI06073	cushion-RS-CT	ZEOX 15A 108.7*30.54mm black_V1.0		latch onto plastic handle
0033	ND01211	EV foam-RS-CT	1t*φ26*φ36 black_V1.0		on speaker fixed board & tweeter bracket joint
0034	ND01212	EV foam-RS-CT	1t*φ36*φ45 black_V1.0		on speaker front panel & tweeter bracket joint
0035	NI06072	handle-RS-CT	ZEOX 15A 169.9*52.7mm black_V1.0		

Rank	Part No	Description	Specification	Insert Location	Remark
0036	NI06071	fixed bracket-RS-CT-ABS	φ178*30 black_V1.1		
0037	NI06077	speaker panel-RS-CT	ZEOX 12A 383.7*639.66*127 black_V1.0		
0038	NI06079	speaker rear cover-RS	ZEOX 12A 384*644*293 black_V1.0		
0039	NA01121	silik wadding-RS-CT	TS112_V1.1		
0040	MD01554	iron net-RS	ZEOX 12A_V1.0		
0041	HK12822	faceplate-RS	TS112A_ALTO_220-240V		
0001	MI05057	fixed bracket-RS	PMB8.350 UM 1.5t*122*66*12mm_V1.0		
0002	NI00218	cable tie	ALT-102SB		
0003	NI02386	konb-RS	φ14*13mm		1.VOLUME
0004	NI01862	key	5.5*5.5*14.5_V1.1		
0005	ME00016	color nut	4m/m		GND*1
0006	MF00038	washer-RS	φ4*φ7*1t		GND*1
0007	MF00048	washer-RS	φ4*φ8*0.5t		GND*1
0008	MG00162	screw	M3*8		AMP*4+MC01108*6
0009	MG00607	screw	M5*10		fix the fan*8
0010	MG00042	screw	M3*10		1.AC inlet
0011	HI00019	power switch	4P MSR-8		
0012	HC00008	AC socket	3515 A TYPE(RF-2004-C-4.8)		
0013	HA03670	wire	3P(male)-3P(famale) 330mm UL1007 22AWG		PRE CN1 TO AMP CN100
0014	HA02238	wire-RS	2P-2P 160mm UL1185 26AWG		PRE CN3 TO AMP CN101
0015	HA05345	wire-RS	250mm UL1015 18AWG		to OUT1-HI
0016	HA03186	wire	100mm UL1015 14AWG		GND
0017	HA02710	wire-RS	100mm UL1015 14AWG		GND
0018	HE00141	fan-RS	DC12V/4000RPM 80*80*15mm 480mm 2.5 2P		
0019	MG00020	screw	M3*8		L shape bracket*4
0020	HA01054	wire-RS	2P-2P 180mm UL1185 26AWG		PRE CN6 TO AMP CN102
0021	NI06123	knob-RS-CT	9.2*9.2*7.3(3.3*3.3)_V1.0		
0022	MC01108	top cover-RS	DM 350W+65W 1.2t*115.7*11*200_V1.3		
0023	HA02536	wrie	145mm UL1617 18AWG brown		AC SW to AMP
0024	HA02535	wrie	145mm UL1617 18AWG black		AC SW to AMP
0025	HA04143	wire	100mm UL1015 18AWG brown		AC SW to AC inlet
0026	HA04141	wire	100mm UL1015 18AWG blue		AC SW to AC inlet
0027	MG00918	screw-RS	M2.6*9		MIC jack*6
0028	HK13110	PC board-RS	P-TS112A PRE-EQ-DIP		
0001	HC00259	connector(male)	8P 2.0mm 180°	CN4	
0002	HK13114	PC board-RS	P-TS112A PRE-EQ-AI		
0001	CB00411	electrolytic capacitor-RS	100uF/16V 105 φ5*11mm	C135,C147,C148,C149,C150	
0002	CB00260	electrolytic capacitor	47uF/35V φ5*11mm 2.5mm	C92,C93,C94,C95,C96,C97,C98,C99,C103,C104	
0003	CB00251	electrolytic capacitor	220UF/25V φ8*11mm	C154,C155	
0004	HK13112	PC board-RS	P-TS112A PRE-EQ-SMD		
0001	SG00122	SMD integrated circuit-RS-ACT	NJM4580M-TE3(SOP8)/(JRC)	U26,U27,U31,U21,U22,U23,U24,U25,U32,U33,U34,U35,U36	
0002	RD00201	SMD precise resistor 1/10W	1.50KΩ ±1% 0603	R143,R223	
0003	RD00275	SMD precise resistor 1/10W	110Ω ±1% 0603	R140,R160	
0004	RD00214	SMD precise resistor 1/10W	10.0KΩ ±1% 0603	R116,R117,R118,R119,R120,R121,R122	
0005	RD00360	SMD precise resistor 1/10W	121Ω ±1% 0603	R166	
0006	RD00217	SMD precise resistor 1/10W	14.0KΩ ±1% 0603	R91,R92,R93,R94,R221,R222	
0007	RD00200	SMD precise resistor 1/10W	150Ω ±1% 0603	R123,R124,R125	
0008	RD00368	SMD precise resistor 1/10W	16.5KΩ ±1% 0603	R159	
0009	RD00219	SMD precise resistor 1/10W	20.0KΩ ±1% 0603	R149,R150,R151,R152,R153,R201	
0010	RD00203	SMD precise resistor 1/10W	2.00KΩ ±1% 0603	R99,R110,R111,R112,R113	
0011	RD00323	SMD precise resistor 1/10W	3.09KΩ ±1% 0603	R154,R155,R156,R157	
0012	RD00370	SMD precise resistor 1/10W	33.2KΩ ±1% 0603	R161	
0013	RD00324	SMD precise resistor 1/10W	4.12KΩ ±1% 0603	R87,R88	
0014	RD00286	SMD precise resistor 1/10W	4.53KΩ ±1% 0603	R142	
0015	RD00415	SMD precise resistor 1/10W	4.70KΩ ±1% 0603	R217	
0016	RD00210	SMD precise resistor 1/10W	5.11KΩ ±1% 0603	R126,R127,R128,R129,R130,R131,R132,R133,R134,R135,R136,R218	
0017	RD00365	SMD precise resistor 1/10W	5.62KΩ ±1% 0603	R97,R98,R224	
0018	RD00299	SMD precise resistor 1/10W	5.76KΩ ±1% 0603	R147,R148,R158	
0019	RD00371	SMD precise resistor 1/10W	51.1KΩ ±1% 0603	R137,R138,R139,R167	
0020	RD00300	SMD precise resistor 1/10W	6.04KΩ ±1% 0603	R162	

Rank	Part No	Description	Specification	Insert Location	Remark
0021	RD00287	SMD precise resistor 1/10W	6.34KΩ ±1% 0603	R163,R164,R165	
0022	RD00326	SMD precise resistor 1/10W	6.80KΩ ±1% 0603	R95,R96,R226,R227	
0023	RD00289	SMD precise resistor 1/10W	8.06KΩ ±1% 0603	R114,R115	
0024	RD00327	SMD precise resistor 1/10W	8.20KΩ ±1% 0603	R89,R90	
0025	RD00473	SMD precise resistor 1/10W	18.0KΩ ±1% 0603	R200	
0026	RD00339	SMD precise resistor 1/10W	47.0KΩ ±1% 0603	R204,R210,R214,R220,R225,R230	
0027	RD00338	SMD precise resistor 1/10W	9.10KΩ ±1% 0603	R202,R203,R205	
0028	RD00445	SMD precise resistor 1/10W	2.43KΩ ±1% 0603	R206,R207	
0029	RD00321	SMD precise resistor 1/10W	1.20KΩ ±1% 0603	R208,R228	
0030	RD00506	SMD precise resistor 1/10W	3.30KΩ ±1% 0603	R209	
0031	RD00334	SMD precise resistor 1/10W	11.0KΩ ±1% 0603	R211,R212	
0032	RD00322	SMD precise resistor 1/10W	2.70KΩ ±1% 0603	R213	
0033	RD00721	SMD fixed resistor-RS 1/10W	22.1KΩ ±1% 0603	R215,R216	
0034	RD00510	SMD precise resistor 1/10W	6.20KΩ ±1% 0603	R219	
0035	RD00406	SMD precise resistor 1/10W	3.60KΩ ±1% 0603	R229	
0036	RD00541	SMD precise resistance 1/10W	0Ω±1% 0603	R100	
0037	CI00129	SMD ceramic capacitor 0603	0.0015uF/50V X7R ±10%	C136,C151	
0038	CI00071	SMD ceramic capacitor 0603	0.01uF/50V X7R ±10%	C119,C120,C121,C122	
0039	CI00123	SMD ceramic capacitor 0603	0.027uF/50V X7R ±10%	C145,C146	
0040	CI00109	SMD ceramic capacitor 0603	20PF/50V C0G±5%(C1608C0G1H200JT)/TDK	C125,C126,C127,C128,C129,C130,C131,C132,C133,C134	
0041	CI00234	SMD ceramic capacitor 0603	0.0033uF/50VC0G±5%(C1608C0G1H332JT)/TDK	C142,C143	
0042	CI00206	SMD ceramic capacitor 0603	0.047uF/50V ±10%(C1608X7R1H473KT)/TDK	C123,C124	
0043	CI00211	SMD ceramic capacitor 0603	0.15uF/25V X7R±10%(C1608X7R1E154KT)/TDK	C138,C139	
0044	CI00217	SMD ceramic capacitor 0603	100PF/50V C0G ±5%(C1608C0G1H101JT)/TDK	C89,C90,C91	
0045	CI00201	SMD ceramic capacitor 0603	0.01uF/50V ±10%(C1608X7R1H103KT)/TDK	C105,C106,C107,C108,C109,C110,C111,C112,C113,C114,C115,C116,C117,C118,C156,C157,C158,C159,C160,C161,C162,C163,C164,C165,C166,C167	
0046	CI00223	SMD ceramic capacitor 0603	390PF/50V C0G ±5%(C1608C0G1H391JT)/TDK	C141	
0047	CI00226	SMD ceramic capacitor 0603	680PF/50V C0G ±5%(C1608C0G1H681JT)/TDK	C140	
0048	AE00553	SenJu solder paste	M705-GRN360-K2-V 0.5KG/bottle		
0049	HB03332	PCB-RS	TS112A EQ PRE_VER110324		
0003	AC00603	lead free soldering bar	S100		
0029	HK13009	PC board-RS	P-TS112A PRE-DIP		
0001	CF00014	metal-film capacitor MEC	0.01uF/400V 10%	C14	
0002	SA00105	zener diode	1W 12V 1N4742	ZD1,ZD2,ZD3,ZD4,ZD6,ZD7,ZD8,ZD9	
0003	CB00065	electrolytic capacitor	470uF/25V φ10*16mm	C32,C33	
0004	HC00076	connector(male)	2P 2.5mm 180°	CN2,CN3,CN6	
0005	HC00077	connector(male)	3P 2.5mm 180°	CN1	
0006	HC00392	balance MIC jack-RS	JY-5030-030G 180°	MIC2	
0007	HI00162	push-button switch	2 paragraphs 6p PS-22E8552L	SW2,SW3	
0008	SB00014	Photodiode-RS-ACT	VTL5C4	D3	
0009	SA00053	L.E.D	φ3 round(red)long foot 26mm	DL1	
0010	SA00052	L.E.D	φ3 round(green)long foot 26	DL2	
0011	NI04453	LED spacer support-RS	LEDS-21 21mm	DL1,DL2	
0012	AC00603	lead free soldering bar	S100		
0013	HK13013	PC board-RS	P-TS112A PRE-AI		
0001	SB00034	transistor	2SC1815GR(SC43)/(TOSHIBA)	TR1	
0002	SB00033	transistor-RS-ACT	2SA1015-GR(SC43)/(TOSHIBA)	Q100	
0003	SB00096	transistor-RS-ACT	2SC2878A(SC43)/(TOSHIBA)	Q102	
0004	CB00263	electrolytic capacitor	10uF /25V φ4*7mm	C100	
0005	CB00194	electrolytic capacitor	47uF/25V φ5*11mm	C1,C2,C7,C8,C9,C11,C64,C66,C67,C70	
0006	CB00248	electrolytic capacitor	2.2uF/50V φ4*5mm	C101,C18,C19	
0007	CB00406	electrolytic capacitor-RS	220uF/16V 105 φ6.3*11mm	C102	
0008	CF00243	metal-film capacitor-RS	0.027uF/100V 5% CASE01	C20	

Rank	Part No	Description	Specification	Insert Location	Remark
0009	CF00148	metal-film capacitor	0.0033uF/100V 5% CASE01	C47,C48	
0010	CF00019	metal-film capacitor MSC	0.015uF/100V 5% CASE01	C34,C35	
0011	CF00242	metal-film capacitor-RS	0.0056uF/100V 5% CASE01	C44,C45,C46	
0012	CF00183	metal-film capacitor MSC	0.1uF/100V 5% CASE01	C15,C16	
0013	CF00016	metal-film capacitor MSC	0.01uF/100V 5% CASE01	C21	
0014	CF00166	metal-film capacitor ESK	0.0027uF/100V 5% CASE01	C55	
0015	HK13011	PC board-RS	P-TS112A PRE-SMD		
0001	CI00029	SMD ceramic capacitor 0805	0.1uF/50V Y5V	C22,C23,C24,C25,C26,C27,C28,C29,C30,C31,C42,C43,C49,C50,C51,C52,C53,C54,C57,C58,C59,C60,C61,C62,C71,C72	
0002	RD00002	SMD fixed resistor 1/8W	0.0Ω ±5% 0805	R18,R64,R66A,R108,ZD5,R38	
0003	RD00006	SMD fixed resistor 1/8W	100Ω ±5% 0805	R25,R62	
0004	RD00049	SMD fixed resistor 1/8W	100KΩ ±5% 0805	R31,R32,R37,R39,R103,R104	
0005	RD00032	SMD fixed resistor 1/8W	10KΩ ±5% 0805	R8,R9,R10,R15,R20,R29,R30,R33B,R35,R36,R40,R42,R43,R46,R47,R49,R54,R55,R56,R57,R70,R77,R79	
0006	CI00001	SMD ceramic capacitor 0805	10PF/50V NPO	C17	
0007	RD00682	SMD precise resistor-RS 1/8W	13.0KΩ ±1% 0805	R53	
0008	RD00050	SMD fixed resistor 1/8W	150KΩ ±5% 0805	R17	
0009	RD00034	SMD fixed resistor 1/8W	15KΩ ±5% 0805	R3	
0010	RD00018	SMD fixed resistor 1/8W	1.0KΩ ±5% 0805	R21,R22	
0011	RD00056	SMD fixed resistor 1/8W	1.0MΩ ±5% 0805	R7,R78	
0012	RD00227	SMD precise resistor 1/8W	200Ω ±1% 0805	R105,R106	
0013	RD00230	SMD precise resistor 1/8W	470Ω ±1% 0805	R14	
0014	RD00037	SMD fixed resistor 1/8W	20KΩ ±5% 0805	R11,R71,R72	
0015	RD00052	SMD fixed resistor 1/8W	220KΩ ±5% 0805	R23	
0016	RD00038	SMD fixed resistor 1/8W	22KΩ ±5% 0805	R101	
0017	CI00007	SMD ceramic capacitor 0805	22PF/50V NPO	C3,C4,C5,C6,C63,C65,C68,C69,C36,C37,C39,C40,C41	
0018	RD00022	SMD fixed resistor 1/8W	2.0KΩ ±5% 0805	R26,R28	
0019	RD00625	SMD precise resistor-RS 1/8W	3.32KΩ ±1% 0805	R27	
0020	RD00012	SMD fixed resistor 1/8W	330Ω ±5% 0805	R73	
0021	RD00024	SMD fixed resistor 1/8W	3KΩ ±5% 0805	R107	
0022	RD00045	SMD fixed resistor 1/8W	51KΩ ±5% 0805	R109	
0023	RD00027	SMD fixed resistor 1/8W	4.7KΩ ±5% 0805	R1,R2,R33,R74,R4,R5,R34,R76	
0024	RD00044	SMD fixed resistor 1/8W	47KΩ ±5% 0805	R75	
0025	CI00012	SMD ceramic capacitor 0805	47PF/50V NPO	C12,C13,C38	
0026	RD00030	SMD fixed resistor 1/8W	6.8KΩ ±5% 0805	R13,R24	
0027	RD00031	SMD fixed resistor 1/8W	7.5KΩ ±5% 0805	R58	
0028	SE00011	SMD rectifier diode	RLS4148 0.5A (LL-34)	D1,D2,D100,D101,D102,D103	
0029	SG00122	SMD integrated circuit-RS-ACT	NJM4580M-TE3(SOP8)(JRC)	U1,U2,U3,U4,U5,U6,U7,U8,U9,U10,U11,U12	
0030	AE00553	SenJu solder paste	M705-GRN360-K2-V 0.5KG/bottle		
0031	RD00228	SMD precise resistor 1/8W	220Ω ±1% 0805	R6,R66	
0032	RD00035	SMD fixed resistor 1/8W	16KΩ ±5% 0805	R12	
0033	RD00675	SMD fixed resistor-RS 1/8W	4.12KΩ ±1% 0805	R41	
0034	RD00026	SMD fixed resistor 1/8W	3.9KΩ ±5% 0805	R51	
0035	HB03331	PCB-RS	TS112A PRE(1*4)_VER110324		
0036	RD00481	SMD fixed resistor 1/8W	8.2KΩ ±5% 0805	R50	
0014	HA03127	wire-RS	8P(male)-8P(female) 150mm UL1007 28AWG	CP4	
0015	HA01919	jump	5mm	C56	
0016	CG00063	filter-EMI FILTER	LF-22UH(WAH TAYI)	L1,L2,L3,L4	
0017	RA01258	fixed resistor 1/4W	10Ω	R16	
0018	RA01114	fixed resistor 1/4W	2.2KΩ	R102	
0019	RA01234	fixed resistor 1/4W	4.7KΩ	R100	
0020	HC01212	balance MIC jack-RS	K6X01V-6-3A	MIC1,MIC3	
0021	RC00230	potentiometer	A100KΩ R0911NOB-V1-A104FN00-00	VR1,VR2	
0022	RA01271	fixed resistor 1/4W	5.1KΩ		
0030	MG00261	copper pillar	M3*8.5*0.5PH		fix EQ board
0031	HA05536	wire-RS	280mm UL1007 18AWG		LOW OUT
0032	HK13138	PC board-RS	P-DM 350W+65W MAIN-DIP		
0001	MB06319	chassis-RS	DM 350W+65W(ME00221)_V1.2		
0002	NI05590	barrier-RS	DM 350W+65W 0.5*110*115_V1.0		

Rank	Part No	Description	Specification	Insert Location	Remark
0003	ME00016	color nut	4m/m		
0004	ME00226	screw-RS	M3*0.5PH		IC*3+tab*3+Z tab*1+GND*1
0005	MF00038	washer-RS	φ4*φ7*1t		
0006	MG00162	screw	M3*8		latch Q104,Q105+fix PCB*7PCS
0007	MG00566	screw	M3*10*0.5PH_V1.0		IC*3PCS+tab*3PCS+Z tab*1PCS
0008	MI00178	heat-sink piece	MB217*25m/m*1PIN		latch Q104,Q105
0009	MJ00344	solder plate	AMP		
0010	MK00103	spring piece	0.5*22.67*6.5*42.5_V1.0		latch Q102, Q103
0011	MK00115	spring-RS	1.0T*7.6*13*34.2(ML00004)_V 1.3		latch U1
0012	NC00129	mica-RS	PSA-31300 45*24*0.1t_V1.1		latch U1
0013	NC00167	mica-RS	13*18(φ3.6)TO-220		latch Q104,Q105
0014	NC01179	insulator spacer-RS	0.13*40mm*55mm(HI-FLOW-625)		latch Q102, Q103
0015	AD00012	twin adhesive-RS	90*120mm_V1.0		ZD-barrier
0016	NI04253	sleeve-RS	φ28*50M T-2		
0017	NI00224	sleeve	φ1*10mm		PR1
0018	AC00603	lead free soldering bar	S100		
0019	NE19290	label-RS-CT	DM 350W+65W_V1.0		
0020	NE19289	label-RS	DM350W+65W_V1.0		
0021	NI02249	plastic washer	TW-1(TO-220)		latch Q104,Q105
0022	HA01219	wire-RS	40mm UL1015 18AWG	JP300	
0023	CB00049	electrolytic capacitor	100uF/35V φ8*11mm	C140,C141	
0024	CB00156	electrolytic capacitor	4700uF/63V φ25*35mm	C133,C135	
0025	CB00170	electrolytic capacitor	1000uF/100V φ18*35.5mm	C115,C116	
0026	CB00321	electrolytic capacitor-RS	470uF/180V φ25*25mm	C124,C125	
0027	CB00322	electrolytic capacitor-RS	820uF/35V 105 WL φ10*30mm(JAMICON)	C160,C161	
0028	CF00033	metal-film capacitor MEF	0.1uF/250V 10%	C111,C113,C114	
0029	CF00059	metal-film capacitor FKP	220PF/630V (PFR5 221J630J11L4)	C109	
0030	CF00222	metal-film capacitor-RS MKT	1.0uF/250V 5%(BFC237341105)	C110	
0031	CF00223	metal-film capacitor-RS MKP	0.068uF/630V 5%(BFC238320683)	C138,C139	
0032	CG00018	filter-EMI FILTER	LF-22UH(WAH TAYI)	L101	
0033	CG00023	X1/Y1 capacitor	0.0022uF/250VAC Y5U	C120,C121,C122,C123	
0034	CG00056	X2 capacitor	0.47uF/275VAC	C118,C119	
0035	CG00065	X2-capacitor MPX	1.0uF/275V VDE/UL/CSA	C117	
0036	CN00069	inductance-EMI SUPPRESSOR-RS-ACT	TB36-13-850485	L106,L107	
0037	CN00160	inductance	2.7mH φ0.7*28.5T	L104,L105	
0038	CN00265	fixed inductance-RS	20uH/10A QY-10623218-01	L103	
0039	HA01919	jump	5mm	L102B	
0040	HA02441	jump	7.5mm	R401	
0041	HC00063	FUSE holder	JEF-501 (5.2mm)		
0042	HC00076	connector(male)	2P 2.5mm 180°	CN104,CN105,CN102,CN101	
0043	HC00077	connector(male)	3P 2.5mm 180°	CN100	
0044	HC00134	connector	2.54 180° 2P(gold-plated) 6/11.6mm	CON107	
0045	HC00324	connect terminal	6.5m/m (PC250)	J101,J102,J103,J104,J105,J106	
0046	HC00858	terminal block-RS	2P 2EHDV-02P male	J107	
0047	HD00011	glass tube fuse	5A 250V φ5.2*20mm CSA/S/UL/VDE	F101,F102	
0048	HD00114	ceramic tube fuse-RS	6.3A 250V φ5.2*20mm CSA/PSE/UL/VDE	F100	
0049	RA00006	metal-oxide-film resistor 1W	10Ω	R106,R131	
0050	RA00009	metal-oxide-film resistor 1W	47Ω	R175	
0051	RA00015	metal-oxide-film resistor 1W	1KΩ	R133,R176	
0052	RA00051	metal-oxide-film resistor 2W	5.6Ω	R178	
0053	RA00150	fixed resistor 1/2W	100KΩ	R148,R149	
0054	RA01409	fixed resistor 1/8W	1Ω	D127	
0055	RA01451	chassis bracket 7W	0.1Ω ±5% SQP type	R168	
0056	RA01724	metal-oxide-film resistor-RS	1Ω ±5%	R170,R172,R184	
0057	RG00012	over current protector	0.5A 60V MF-R050	R186	
0058	RH00013	thermistor	47KΩ (M891 B57891-M473-J)	R115	
0059	RH00033	thermistor-RS-CT	5Ω B57235S-0509M000/(EPCOS)	R147	
0060	RH00037	thermistor-RS-ACT	330Ω PTFLO4BG222Q2N34B0/(MURATA)	PR1,R119	
0061	SA00004	high speed diode-RS	2A/100V BYV27-200,113	D114,D115	
0062	SA00094	rectifier diode	1N4002/100V	D401	
0063	SA00134	diode-RS-ACT	6A/200V/35ns FE6D	D122,D123,D124,D125	
0064	SA00220	diode	3A/600V SF38	D128,D129,D130,D134	
0065	SA00316	bridge rectifier-RS	8A GBU-8K/(PANJIT)	D116	
0066	SB00081	voltage stabilized transistor-RS-ACT	UTC78L05(TO92)/(UTC)	U8	
0067	SB00083	voltage stabilized transistor-RS-ACT	UTC79L05(TO92)/(UTC)	U10	

Rank	Part No	Description	Specification	Insert Location	Remark
0068	SB00223	transistor-RS-CT	HGTG7N60A4D(TO247)/(FAIRCHLD)	Q102,Q103	
0069	SB00284	transistor-RS	IRFB4020PBF(TO220AB)/(IR)	Q104,Q105	
0070	SD00084	integrated circuit	TDA7294(MULTIWATT15)/(ST)	U1	
0071	SD00341	integrated circuit-RS-C	NJM7815FA(TO220F)/(JRC)	U6	
0072	SD00342	integrated circuit-RS-C	NJM7915FA(TO220F)/(JRC)	U9	
0073	SD00380	integrated circuit-RS	NJM7812FA(TO220F)/(JRC)	U7	
0074	SD00441	integrated circuit-RS-ACT	LM317T-0.55T(TO220)/(ST)	U400	
0075	TC00430	transistor-RS	PT-DM 350W+65W	T1	
0076	HK13141	PC board-RS	P-DM 350W+65W MAIN-AI		
0001	CB00019	electrolytic capacitor	10uF/50V NP $\phi$ 5*11mm	C108	
0002	CB00177	electrolytic capacitor	22uF/50V $\phi$ 5*11mm	C150,C151,C152,C164,C165	
0003	CB00234	electrolytic capacitor	10uF/50V $\phi$ 6*7mm	C166,C167	
0004	CB00235	electrolytic capacitor	100uF/25V $\phi$ 6*11mm	C147,C148,C153,C401,C402,C403	
0005	CB00260	electrolytic capacitor	47uF/35V $\phi$ 5*11mm 2.5mm	C142,C143,C168	
0006	CB00412	electrolytic capacitor-RS	1.0uF/50V 105 $\phi$ 4*7mm	C131	
0007	CF00141	metal-film capacitor MSC	0.0068uF/100V 5% CASE01	C132	
0008	CF00155	metal-film capacitor MSC	0.22uF/63V 5% CASE02	C177	
0009	CF00179	metal-film capacitor ESK	0.0022uF/100V 5% CASE01	C176	
0010	CF00183	metal-film capacitor MSC	0.1uF/100V 5% CASE01	C112,C169,C145,C170	
0011	HK13140	PC board-RS	P-DM 350W+65W MAIN-SMD		
0001	CI00061	SMD ceramic capacitor 0603	220PF/50V NPO $\pm$ 5%	C103,C174	
0002	CI00075	SMD ceramic capacitor 0603	0.1uF/50V Y5V +80,-20%	C106,C107,C173,C100,C101,C102,C163,C175	
0003	CI00103	SMD ceramic capacitor 1206	100PF/50V NPO $\pm$ 5%	C134	
0004	CI00136	SMD ceramic capacitor 1206	560PF/50V NPO $\pm$ 5%	C126	
0005	CI00175	SMD ceramic capacitor 0603	1.0uF/16V X7R $\pm$ 10%(C1608X7R1C105KT)/TDK	C104	
0006	CI00195	SMD ceramic capacitor 1206	4.7uF/25V Y5V +80%,-20%	C178	
0007	CI00212	SMD ceramic capacitor1206	0.047uF/50V X7R $\pm$ 5%	C127	
0008	CI00269	SMD ceramic capacitor-RS 1206	1.0uF/25V X7R $\pm$ 10%	C146,C171,C172,C136,C128,C129,C130,C154	
0009	RD00059	SMD fixed resistor 1/10W	0.0 $\Omega$ $\pm$ 5% 0603	R158,R173,R114,R125	
0010	RD00065	SMD fixed resistor 1/10W	47 $\Omega$ $\pm$ 5% 0603	R144,R145,R118,R137,R157	
0011	RD00077	SMD fixed resistor 1/10W	390 $\Omega$ $\pm$ 5% 0603	R174	
0012	RD00083	SMD fixed resistor 1/10W	1.0K $\Omega$ $\pm$ 5% 0603	R107,R123,R143,R160,R188,R190,R177	
0013	RD00087	SMD fixed resistor 1/10W	2.0K $\Omega$ $\pm$ 5% 0603	R111,R113,R109,R134,R135	
0014	RD00101	SMD fixed resistor 1/10W	10K $\Omega$ $\pm$ 5% 0603	R191,R192,R150,R187,R189	
0015	RD00106	SMD fixed resistor 1/10W	27K $\Omega$ $\pm$ 5% 0603	R104	
0016	RD00116	SMD fixed resistor 1/10W	100K $\Omega$ $\pm$ 5% 0603	R100,R101,R117,R122,R138,R140,R141,R142	
0017	RD00125	SMD fixed resistor 1/10W	1.0M $\Omega$ $\pm$ 5% 0603	R105	
0018	RD00129	SMD fixed resistor 1/4W	0.0 $\Omega$ $\pm$ 5% 1206	R108	
0019	RD00130	SMD fixed resistor 1/4W	10 $\Omega$ $\pm$ 5% 1206	R159,R167,R165,R166	
0020	RD00133	SMD fixed resistor 1/4W	100 $\Omega$ $\pm$ 5% 1206	R181,D400	
0021	RD00142	SMD fixed resistor 1/4W	10K $\Omega$ $\pm$ 5% 1206	R102	
0022	RD00145	SMD fixed resistor 1/4W	33K $\Omega$ $\pm$ 5% 1206	R164	
0023	RD00147	SMD fixed resistor 1/4W	100K $\Omega$ $\pm$ 5% 1206	R116,R146,R151,R152,R153,R154,R155,R156,R300,R301,R136	
0024	RD00247	SMD precise resistor 1/4W	2.20K $\Omega$ $\pm$ 1% 1206	R103,R161,R129,R185,R163	
0025	RD00303	SMD precise resistor 1/10W	57.6K $\Omega$ $\pm$ 1% 0603	R127	
0026	RD00417	SMD precise resistor 1/4W	27.0K $\Omega$ $\pm$ 1% 1206	R139	
0027	RD00428	SMD fixed resistor 1/4W	680 $\Omega$ $\pm$ 5% 1206	R162	
0028	RF00003	SMD semi-fixed resistor	EVN5ES X50B53-5K	P2	
0029	SE00011	SMD rectifier diode	RLS4148 0.5A (LL-34)	D100,D101,D104,D105,D106,D107,D108,D109,D110,D111,D120,D135,D136,D103,D133,D131,D132,D3	
0030	SE00012	SMD rectifier diode-RS	BAV103(PHI)	D2	
0031	SE00018	SMD zener diode-RS-ACT	1/2W 6.8V LL-34	D112,D113	
0032	SE00084	SMD zener diode-RS	1W 13V(ISMA4743)DO214AC/(PANJIT)	D118	
0033	SE00097	SMD diode-RS-CT	1A/400V US1G(DO214AC)/(VISHAY)	D117,D121,D300,D301,D5,D7	
0034	SF00082	transistor-RS-ACT	MMBT5401LT1G(SOT23)/(ON)	Q100,Q101	
0035	SG00122	SMD integrated circuit-RS-ACT	NJM4580M-TE3(SOP8)/(JRC)	U13	
0036	SG00306	SMD integrated circuit	LM393DR(TI)/(MEXICO)	U3,U4,U14	
0037	SG00495	SMD integrated circuit-RS	IR2156SPBF(SO14)/(IR)	U5	
0038	AE00553	SenJu solder paste	M705-GRN360-K2-V 0.5KG/bottle		

Rank	Part No	Description	Specification	Insert Location	Remark
0039	SE00038	SMD L.E.D	green KPJA-2107SGD 90° 0802	DS2	
0040	RD00027	SMD fixed resistor 1/8W	4.7KΩ ±5% 0805	R28	
0041	RD00484	SMD fixed resistor 1/8W	4.7Ω ±5% 0805	R23	
0042	RD00003	SMD fixed resistor 1/8W	10Ω ±5% 0805	R4,R8,R10	
0043	CL00006	SMD tantalum capacitor-RS-ACT	10uF/16V case B2	C4,C6,C16,C19	
0044	CL00028	SMD tantalum capacitor-RS	33uF/10V case B2 (NEC ESVB21A336M)	C11	
0045	RD00481	SMD fixed resistor 1/8W	8.2KΩ ±5% 0805	R14	
0046	RD00025	SMD fixed resistor 1/8W	3.3KΩ ±5% 0805	R6	
0047	RD00612	SMD precise resistor-RS 1/8W	4.99KΩ ±1% 0805	R20	
0048	CI00021	SMD ceramic capacitor 0805	0.001uF/50V NPO ±5%	C2,C22,C24	
0049	RD00024	SMD fixed resistor 1/8W	3KΩ ±5% 0805	R53	
0050	CI00112	SMD ceramic capacitor 0805	0.01uF/50V X7R ±10%	C31	
0051	RD00018	SMD fixed resistor 1/8W	1.0KΩ ±5% 0805	R22	
0052	RD00042	SMD fixed resistor 1/8W	33KΩ ±5% 0805	R39,R44	
0053	RD00032	SMD fixed resistor 1/8W	10KΩ ±5% 0805	R29,R42	
0054	SG00667	SMD integrated circuit-RS	IRS2092S(SOIC16N)/(IR)	U2	
0055	HB03330	PCB-RS	DM 350W+65W MAIN_VER110315		
0033	NC03371	insulation piece-RS	TS 112A 1t*86*86_V1.0		fan & barrier
0034	MA08851	panel-RS	TS112A MK ALTO CHINA_V1.1		
0035	HD00013	glass tube fuse	3.15A 250V φ5*20mm CSA/S/UL/VDE		
0036	NI02590	cable tie	YJ-203V0 UL94V-0		fix the GND
0037	MF00014	washer	φ3*φ6.5*0.5t		PRE GND
0038	MG00269	screw-RS	M3*6		PRE *2+EQ*4
0042	NE20841	label-RS-CT	TS112A_V1.1		unit*2, carton*1, manual*1
0043	NE20821	label-RS	TS112A_V1.0		unit*1
0044	NF03534	assurance card-RS	ALTO ALESIS_V1.0		
0045	NB06875	carton-RS-CT	TS112A ALTO_V1.3		
0046	MG00838	screw-RS	FLASH12 φ30.5*51.5_V1.0		
0047	MI05478	label-RS-ACT	ALESIS		
0048	MG00373	screw	M3*5mm		latch heat sink & tweeter
0049	MI05479	heat-sink-RS-CT	TS 115A 3*30*15*36_V1.0		
0050	NI06135	fixed piece-RS-CT	TS 112A 5.12*54.66*54.66_V1.0		
0051	ND01228	EV foam-RS-CT	1t*50.5*50.5 black_V1.0		paste on AL nameplate and plastic fixed piece
0052	NF03558	user manual-RS	TS112A ALTO_V1.0		
0053	NE21070	label-RS-CT	Truesonic series_V1.0		paste on upper right corner of grille



Rank	Part No	Description	Specification	Insert Location	Remark
PC01816		SPEAKER	TS115A_ALTO_240V_CHINA_(NUMARK)		
0001	SA00194	L.E.D	φ3		
0002	NI00246	sleeve	φ3*20mm		LED on speaker front panel & cable boning joint
0003	NI00218	cable tie	ALT-102SB		for wiring
0004	NI02728	rubber foot	φ29.5*14 black		
0005	NI02250	MIC jack	φ17*φ23.5*9		
0006	ND00387	dustproof cloth-RS	700*430*0.35mm black_1.1		
0007	ND00398	EV foam	SR500A-SUB 1205.5*15*2_V1.0		on back side of tweeter
0008	ND00270	absorb sound sponge	700*430*50		
0009	ND00468	EV foam	1.0t*1210*13.5_V1.0		on front panel of module
0010	MG00064	screw	M3*10		latch handle & handle cushion*6
0011	MG00411	screw	M14*26*1.0PH_V1.1		speaker rear cover hanging hole
0012	ME00130	nut-RS	M6*1.0PH		tweeter bracket & speakon bracket
0013	ME00116	nut	M14*5*1.0PH_V1.3		speaker rear cover hanging hole
0014	MG00456	screw	M6*22*1.0PH		tweeter bracket & speakon bracket
0015	MG00334	screw-RS	M3*16mm		front panel & cabinet*12
0016	MG00488	screw-RS	M3.5*15		1.rubber foot *4
0017	MG00511	screw-RS	M4*37_V1.1		tweeter bracket & speaker front panel* 4
0018	HA01429	wire-RS	2P 795mm UL1007 24AWG		
0019	HA00866	power cord (British 3P)	LT-318+0.75*3C(H05VV-F) 6FT+LT-501		
0020	HA02320	signle terminal wiring	800mm UL1015 18AWG		tweeter connector
0021	HA02520	signle terminal wiring	750mm UL1015 18AWG		woofer connector
0022	MG00843	screw-RS	M5*20*φ10		woofer*8
0023	MG00842	screw-RS	M5*40*φ10		latch handle & speaker rear cap*4
0024	NA00880	PE bag-RS	0.03t*1200*800mm12 hole		packaging unit
0025	NA00858	PE bag-RS	0.04t*240*160mm_V1.0		manual & warranty card
0026	NI05562	fixed board-RS-ABS	JH531φ102*φ26mm		latch tweeter
0027	MF00032	washer	φ6.3*φ11*0.8t_V1.0		latch the handle
0028	MF00089	washer-RS-ACT	φ27.5*φ14.8*1.4t_V1.2		speaker rear cover hanging hole
0029	HG00428	speaker-RS	JS-J25204 8Ω 20W SCREW ON		
0030	MG00925	screw-RS	M5*50		latch plastic front panel & plastic rear cap*14
0031	HK12819	speaker	15inch 200W 4Ω(TS115A)		
0001	NH00233	cover-RS	φ109.4*20		
0002	NH00237	cushion-RS	φ378*351*8 EVA_V1.2		
0003	ND00227	sponge	S0721B_NYLON NET D35		
0004	MI01613	bracket-RS	φ383*φ72*112 P:90_V1.1		
0005	MH01110	rivet	M0500A_OU-30		
0006	HC00426	terminal-RS	M0021B_PT2.1_V1.0		
0007	HA02493	strand	TA4X4YKA42W*110mm		
0008	MH02056	magnet-RS	ψ135*ψ57*19 Y30_V1.0		
0009	MH02077	T-shape middle pillar-RS	φ129*φ50*28.5*8 P:55_V1.1		
0010	NH00492	cone-RS	φ361*52.1*94.5 YD:HB380-126		
0011	HG00355	voice coil-RS	BASV2L 50.5*36*3.6*0.29 13.6_V1.0		
0012	MH02501	washer-RS	φ129*52.6*8 P:90_V1.0		
0013	ND01185	spider-RS	φ122.5*50.8*15 0.6/100g LK:D-1225_V1.0		
0014	NE20778	label-RS	HK12819_V1.0		
0032	MG00935	screw-RS-CT	M4*20 441134020CN		latch grille *6
0033	NI06073	cushion-RS-CT	ZEOX 15A 108.7*30.54mm black_V1.0		latch onto plastic handle
0034	ND01211	EV foam-RS-CT	1t*φ26*φ36 black_V1.0		on speaker fixed board & tweeter bracket joint
0035	ND01212	EV foam-RS-CT	1t*φ36*φ45 black_V1.0		on speaker front panel & tweeter bracket joint

Rank	Part No	Description	Specification	Insert Location	Remark
0036	NI06072	handle-RS-CT	ZEOX 15A 169.9*52.7mm black_V1.0		
0037	NI06071	fixed bracket-RS-CT-ABS	φ178*30 black_V1.1		
0038	NI06082	speaker rear cover-RS	ZEOX 15A 429.93*679*312.7 black_V1.0		
0039	NI06080	speaker panel-RS-CT	ZEOX 15A 430.8*674.7*172 black_V1.1		
0040	NA01122	silik wadding-RS-CT	TS115_V1.1		
0041	MD01556	iron net-RS	ZEOX 15A_V1.0		
0042	HK12824	faceplate-RS	TS115A_ALTO_220-240V		
0001	MI05057	fixed bracket-RS	PMB8.350 UM 1.5t*122*66*12mm_V1.0		
0002	NI00218	cable tie	ALT-102SB		
0003	NI02386	konb-RS	φ14*13mm		1.VOLUME
0004	NI01862	key	5.5*5.5*14.5_V1.1		
0005	ME00016	color nut	4m/m		GND*1
0006	MF00038	washer-RS	φ4*φ7*1t		GND*1
0007	MF00048	washer-RS	φ4*φ8*0.5t		GND*1
0008	MG00162	screw	M3*8		AMP*4+MC01108*6
0009	MG00607	screw	M5*10		fix the fan*8
0010	MG00042	screw	M3*10		1.AC inlet
0011	HI00019	power switch	4P MSR-8		
0012	HC00008	AC socket	3515 A TYPE(RF-2004-C-4.8)		
0013	HA03670	wire	3P(male)-3P(female) 330mm UL1007 22AWG		PRE CN1 TO AMP CN100
0014	HA02238	wire-RS	2P-2P 160mm UL1185 26AWG		PRE CN3 TO AMP CN101
0015	HA05345	wire-RS	250mm UL1015 18AWG		to OUT1-HI
0016	HA03186	wire	100mm UL1015 14AWG		GND
0017	HA02710	wire-RS	100mm UL1015 14AWG		GND
0018	HE00141	fan-RS	DC12V/4000RPM 80*80*15mm 480mm 2.5 2P		
0019	MG00020	screw	M3*8		L shape bracket*4
0020	HA01054	wire-RS	2P-2P 180mm UL1185 26AWG		PRE CN6 TO AMP CN102
0021	NI06123	knob-RS-CT	9.2*9.2*7.3(3.3*3.3)_V1.0		
0022	MC01108	top cover-RS	DM 350W+65W 1.2*115.7*11*200_V1.3		
0023	HA02536	wrie	145mm UL1617 18AWG brown		AC SW to AMP
0024	HA02535	wrie	145mm UL1617 18AWG black		AC SW to AMP
0025	HA04143	wire	100mm UL1015 18AWG brown		AC SW to AC inlet
0026	HA04141	wire	100mm UL1015 18AWG blue		AC SW to AC inlet
0027	MG00918	screw-RS	M2.6*9		MIC jack*6
0028	HA05536	wire-RS	280mm UL1007 18AWG		LOW OUT
0029	HK13111	PC board-RS	P-TS115A PRE-EQ-DIP		
0001	HC00259	connector(male)	8P 2.0mm 180°	CN4	
0002	HK13115	PC board-RS	P-TS115A PRE-EQ-AI		
0001	CB00411	electrolytic capacitor-RS	100uF/16V 105 φ5*11mm	C147,C148,C149,C150,C135	
0002	CB00260	electrolytic capacitor	47uF/35V φ5*11mm 2.5mm	C92,C93,C94,C95,C96,C97,C98,C99,C103,C104	
0003	CB00251	electrolytic capacitor	220UF/25V φ8*11mm	C154,C155	
0004	HK13113	PC board-RS	P-TS115A PRE-EQ-SMD		
0001	RD00102	SMD fixed resistor 1/10W	12KΩ ±5% 0603	R63	
0002	SG00122	SMD integrated circuit-RS-ACT	NJM4580M-TE3(SOP8)(JRC)	IC28,IC29,IC30,U26,U27,U31,U21,U22,U23,U24,U25,U32,U33,U34,U35,U36	
0003	RD00201	SMD precise resistor 1/10W	1.50KΩ ±1% 0603	R143	
0004	RD00275	SMD precise resistor 1/10W	110Ω ±1% 0603	R140,R160,R213	
0005	RD00214	SMD precise resistor 1/10W	10.0KΩ ±1% 0603	R67,R68,R69,R80,R81,R116,R117,R118,R119,R120,R121,R122	
0006	RD00360	SMD precise resistor 1/10W	121Ω ±1% 0603	R166	
0007	RD00217	SMD precise resistor 1/10W	14.0KΩ ±1% 0603	R91,R92,R93,R94	
0008	RD00200	SMD precise resistor 1/10W	150Ω ±1% 0603	R123,R124,R125	
0009	RD00368	SMD precise resistor 1/10W	16.5KΩ ±1% 0603	R159,R211	
0010	RD00219	SMD precise resistor 1/10W	20.0KΩ ±1% 0603	R84,R149,R150,R151,R152,R153	
0011	RD00593	SMD precise resistor-RS 1/10W	22.6KΩ± 1% 0603	R83	
0012	RD00203	SMD precise resistor 1/10W	2.00KΩ ±1% 0603	R99,R110,R111,R112,R113,R209	
0013	RD00323	SMD precise resistor 1/10W	3.09KΩ ±1% 0603	R154,R155,R156	
0014	RD00370	SMD precise resistor 1/10W	33.2KΩ ±1% 0603	R161	
0015	RD00324	SMD precise resistor 1/10W	4.12KΩ ±1% 0603	R87,R88	
0016	RD00286	SMD precise resistor 1/10W	4.53KΩ ±1% 0603	R142	
0017	RD00415	SMD precise resistor 1/10W	4.70KΩ ±1% 0603	R45,R229	
0018	RD00386	SMD precise resistor 1/10W	4.75KΩ ±1% 0603	R65	

Rank	Part No	Description	Specification	Insert Location	Remark
	0019	RD00210	SMD precise resistor 1/10W	5.11KΩ ±1% 0603	R126,R127,R128,R129,R130,R131,R132,R133,R134,R135,R136
	0020	RD00365	SMD precise resistor 1/10W	5.62KΩ ±1% 0603	R82,R97,R98
	0021	RD00299	SMD precise resistor 1/10W	5.76KΩ ±1% 0603	R147,R148,R158
	0022	RD00371	SMD precise resistor 1/10W	51.1KΩ ±1% 0603	R137,R138,R139,R167
	0023	RD00822	SMD precise resistor 1/10W	5.60KΩ ±1% 0603	R44,R52,R59,R168,R169
	0024	RD00300	SMD precise resistor 1/10W	6.04KΩ ±1% 0603	R162
	0025	RD00287	SMD precise resistor 1/10W	6.34KΩ ±1% 0603	R163,R164,R165
	0026	RD00326	SMD precise resistor 1/10W	6.80KΩ ±1% 0603	R95,R96
	0027	RD00289	SMD precise resistor 1/10W	8.06KΩ ±1% 0603	R114,R115
	0028	RD00327	SMD precise resistor 1/10W	8.20KΩ ±1% 0603	R89,R90,R60,R61,R170,R171
	0029	CI00129	SMD ceramic capacitor 0603	0.0015uF/50V X7R ±10%	C136,C151
	0030	CI00071	SMD ceramic capacitor 0603	0.01uF/50V X7R ±10%	C119,C120,C121,C122
	0031	CI00123	SMD ceramic capacitor 0603	0.027uF/50V X7R ±10%	C145,C146
	0032	CI00065	SMD ceramic capacitor 0603	0.001uF/50V X7R ±10%	C71,C81
	0033	CI00109	SMD ceramic capacitor 0603	20PF/50V C0G±5%(C1608C0G1H200JT)/TDK	C125,C126,C127,C128,C129,C130,C131,C132,C133,C134
	0034	CI00174	SMD ceramic capacitor 0603	0.47uF/25V +80;-20%(C1608Y5V1E474ZT)/TDK	C74,C75,C76,C77
	0035	CI00348	SMD ceramic capacitor 0805	0.33uF/50V X7R ±10%	C78,C79,C152,C153
	0036	CI00234	SMD ceramic capacitor 0603	0.0033uF/50VC0G±5%(C1608C0G1H332JT)/TDK	C142,C143
	0037	CI00206	SMD ceramic capacitor 0603	0.047uF/50V ±10%(C1608X7R1H473KT)/TDK	C123,C124
	0038	CI00211	SMD ceramic capacitor 0603	0.15uF/25V X7R±10%(C1608X7R1E154KT)/TDK	C138,C139
	0039	CI00185	SMD ceramic capacitor 0603	0.1uF/50V X7R±10%(C1608X7R1H104KT)/TDK	C82,C83,C84,C85,C86,C87,C88
	0040	CI00217	SMD ceramic capacitor 0603	100PF/50V C0G ±5%(C1608C0G1H101JT)/TDK	C89,C90,C91
	0041	CI00201	SMD ceramic capacitor 0603	0.01uF/50V ±10%(C1608X7R1H103KT)/TDK	C105,C106,C107,C108,C109,C110,C111,C112,C113,C114,C115,C116,C117,C118,C156,C157,C158,C159,C160,C161,C162,C163,C164,C165,C166,C167
	0042	CI00223	SMD ceramic capacitor 0603	390PF/50V C0G ±5%(C1608C0G1H391JT)/TDK	C141
	0043	CI00055	SMD ceramic capacitor 0603	47PF/50V C0G±5%(C1608C0G1H470JT)/TDK	C10,C72,C73
	0044	CI00226	SMD ceramic capacitor 0603	680PF/50V C0G ±5%(C1608C0G1H681JT)/TDK	C140
	0045	CI00227	SMD ceramic capacitor 0603	820PF/50V C0G ±5%(C1608C0G1H821JT)/TDK	C80
	0046	AE00553	SenJu solder paste	M705-GRN360-K2-V 0.5KG/bottle	
	0047	RD00322	SMD precise resistor 1/10W	2.70KΩ ±1% 0603	R157
	0048	RD00302	SMD precise resistor 1/10W	28.0KΩ ±1% 0603	R85,R86
	0049	RD00332	SMD precise resistor 1/10W	680Ω ±1% 0603	R228
	0050	RD00330	SMD precise resistor 1/10W	39.0KΩ ±1% 0603	R226,R227
	0051	RD00445	SMD precise resistor 1/10W	2.43KΩ ±1% 0603	R224
	0052	RD00701	SMD precise resistor-RS	2.20KΩ ± 0.1% 0603	R223
	0053	RD00450	SMD precise resistor 1/10W	48.7KΩ ±1% 0603	R221,R222
	0054	RD00349	SMD fixed resistor 1/10W	910Ω ±5% 0603	R219
	0055	RD00334	SMD precise resistor 1/10W	11.0KΩ ±1% 0603	R217
	0056	RD00329	SMD precise resistor 1/10W	30.0KΩ ±1% 0603	R215,R216
	0057	RD00321	SMD precise resistor 1/10W	1.20KΩ ±1% 0603	R208,R218
	0058	RD00338	SMD precise resistor 1/10W	9.10KΩ ±1% 0603	R206,R207
	0059	RD00385	SMD precise resistor 1/10W	3.01KΩ ±1% 0603	R205

Rank	Part No	Description	Specification	Insert Location	Remark
0060	RD00339	SMD precise resistor 1/10W	47.0KΩ ±1% 0603	R204,R210,R214,R220,R225,R230	
0061	RD00483	SMD precise resistor 1/10W	16.0KΩ ±1% 0603	R202,R203,R212	
0062	RD00221	SMD precise resistor 1/10W	27.4KΩ ±1% 0603	R200,R201	
0063	HB03332	PCB-RS	TS112A EQ PRE_VER110324		
0003	AC00603	lead free soldering bar	S100		
0030	MG00261	copper pillar	M3*8.5*0.5PH		fix EQ board
0031	HK13138	PC board-RS	P-DM 350W+65W MAIN-DIP		
0001	MB06319	chassis-RS	DM 350W+65W(ME00221)_V1.2		
0002	NI05590	barrier-RS	DM 350W+65W 0.5*110*115_V1.0		
0003	ME00016	color nut	4m/m		
0004	ME00226	screw-RS	M3*0.5PH		IC*3+tab*3+Z tab*1+GND*1
0005	MF00038	washer-RS	φ4*φ7*1t		
0006	MG00162	screw	M3*8		latch Q104,Q105+fix PCB*7PCS
0007	MG00566	screw	M3*10*0.5PH_V1.0		IC*3PCS+tab*3PCS+Z tab*1PCS
0008	MI00178	heat-sink piece	MB217*25mm/m*1PIN		latch Q104,Q105
0009	MJ00344	solder plate	AMP		
0010	MK00103	spring piece	0.5*22.67*6.5*42.5_V1.0		latch Q102, Q103
0011	MK00115	spring-RS	1.0T*7.6*13*34.2(ML00004)_V 1.3		latch U1
0012	NC00129	mica-RS	PSA-31300 45*24*0.1t_V1.1		latch U1
0013	NC00167	mica-RS	13*18(φ3.6)TO-220		latch Q104,Q105
0014	NC01179	insulator spacer-RS	0.13*40mm*55mm(HI-FLOW-625)		latch Q102, Q103
0015	AD00012	twin adhesive-RS	90*120mm_V1.0		ZD-barrier
0016	NI04253	sleeve-RS	φ28*50M T-2		
0017	NI00224	sleeve	φ1*10mm		PR1
0018	AC00603	lead free soldering bar	S100		
0019	NE19290	label-RS-CT	DM 350W+65W_V1.0		
0020	NE19289	label-RS	DM350W+65W_V1.0		
0021	NI02249	plastic washer	TW-1(TO-220)		latch Q104,Q105
0022	HA01219	wire-RS	40mm UL1015 18AWG	JP300	
0023	CB00049	electrolytic capacitor	100uF/35V φ8*11mm	C140,C141	
0024	CB00156	electrolytic capacitor	4700uF/63V φ25*35mm	C133,C135	
0025	CB00170	electrolytic capacitor	1000uF/100V φ18*35.5mm	C115,C116	
0026	CB00321	electrolytic capacitor-RS	470uF/180V φ25*25mm	C124,C125	
0027	CB00322	electrolytic capacitor-RS	820uF/35V 105 WL φ10*30mm(JAMICON)	C160,C161	
0028	CF00033	metal-film capacitor MEF	0.1uF/250V 10%	C111,C113,C114	
0029	CF00059	metal-film capacitor FKP	220PF/630V (PFR5 221J630J11L4)	C109	
0030	CF00222	metal-film capacitor-RS MKT	1.0uF/250V 5%(BFC237341105)	C110	
0031	CF00223	metal-film capacitor-RS MKP	0.068uF/630V 5%(BFC238320683)	C138,C139	
0032	CG00018	filter-EMI FILTER	LF-22UH(WAH TAYI)	L101	
0033	CG00023	X1/Y1 capacitor	0.0022uF/250VAC Y5U	C120,C121,C122,C123	
0034	CG00056	X2 capacitor	0.47uF/275VAC	C118,C119	
0035	CG00065	X2-capacitor MPX	1.0uF/275V VDE/UL/CSA	C117	
0036	CN00069	inductance-EMI SUPPRESSOR-RS-ACT	TB36-13-850485	L106,L107	
0037	CN00160	inductance	2.7mH φ0.7*28.5T	L104,L105	
0038	CN00265	fixed inductance-RS	20uH/10A QY-10623218-01	L103	
0039	HA01919	jump	5mm	L102B	
0040	HA02441	jump	7.5mm	R401	
0041	HC00063	FUSE holder	JEF-501 (5.2mm)		
0042	HC00076	connector(male)	2P 2.5mm 180°	CN104,CN105,CN102,CN101	
0043	HC00077	connector(male)	3P 2.5mm 180°	CN100	
0044	HC00134	connector	2.54 180° 2P(gold-plated) 6/11.6mm	CON107	
0045	HC00324	connect terminal	6.5m/m (PC250)	J101,J102,J103,J104,J105,J106	
0046	HC00858	terminal block-RS	2P 2EHDV-02P male	J107	
0047	HD00011	glass tube fuse	5A 250V φ5.2*20mm CSA/S/UL/VDE	F101,F102	
0048	HD00114	ceramic tube fuse-RS	6.3A 250V φ5.2*20mm CSA/PSE/UL/VDE	F100	
0049	RA00006	metal-oxide-film resistor 1W	10Ω	R106,R131	
0050	RA00009	metal-oxide-film resistor 1W	47Ω	R175	
0051	RA00015	metal-oxide-film resistor 1W	1KΩ	R133,R176	
0052	RA00051	metal-oxide-film resistor 2W	5.6Ω	R178	
0053	RA00150	fixed resistor 1/2W	100KΩ	R148,R149	
0054	RA01409	fixed resistor 1/8W	1Ω	D127	
0055	RA01451	chassis bracket 7W	0.1Ω ±5% SQP type	R168	
0056	RA01724	metal-oxide-film resistor-RS	1Ω ±5%	R170,R172,R184	
0057	RG00012	over current protector	0.5A 60V MF-R050	R186	
0058	RH00013	thermistor	47KΩ (M891 B57891-M473-J)	R115	

Rank	Part No	Description	Specification	Insert Location	Remark
0059	RH00033	thermistor-RS-CT	5Ω B57235S-0509M000/(EPCOS)	R147	
0060	RH00037	thermistor-RS-ACT	330Ω PTFL04BG222Q2N34B0/(MURATA)	PR1,R119	
0061	SA00004	high speed diode-RS	2A/100V BYV27-200,113	D114,D115	
0062	SA00094	rectifier diode	1N4002/100V	D401	
0063	SA00134	diode-RS-ACT	6A/200V/35ns FE6D	D122,D123,D124,D125	
0064	SA00220	diode	3A/600V SF38	D128,D129,D130,D134	
0065	SA00316	bridge rectifier-RS	8A GBU-8K/(PANJIT)	D116	
0066	SB00081	voltage stabilized transistor-RS-ACT	UTC78L05(TO92)/(UTC)	U8	
0067	SB00083	voltage stabilized transistor-RS-ACT	UTC79L05(TO92)/(UTC)	U10	
0068	SB00223	transistor-RS-CT	HGTG7N60A4D(TO247)/(FAIRCHLD)	Q102,Q103	
0069	SB00284	transistor-RS	IRFB4020PBF(TO220AB)/(IR)	Q104,Q105	
0070	SD00084	integrated circuit	TDA7294(MULTIWATT15)/(ST)	U1	
0071	SD00341	integrated circuit-RS-C	NJM7815FA(TO220F)/(JRC)	U6	
0072	SD00342	integrated circuit-RS-C	NJM7915FA(TO220F)/(JRC)	U9	
0073	SD00380	integrated circuit-RS	NJM7812FA(TO220F)/(JRC)	U7	
0074	SD00441	integrated circuit-RS-ACT	LM317T-0.55T(TO220)/(ST)	U400	
0075	TC00430	transistor-RS	PT-DM 350W+65W	T1	
0076	HK13141	PC board-RS	P-DM 350W+65W MAIN-AI		
0001	CB00019	electrolytic capacitor	10uF/50V NP φ5*11mm	C108	
0002	CB00177	electrolytic capacitor	22uF/50V φ5*11mm	C150,C151,C152,C164,C165	
0003	CB00234	electrolytic capacitor	10uF/50V φ6*7mm	C166,C167	
0004	CB00235	electrolytic capacitor	100uF/25V φ6*11mm	C147,C148,C153,C401,C402,C403	
0005	CB00260	electrolytic capacitor	47uF/35V φ5*11mm 2.5mm	C142,C143,C168	
0006	CB00412	electrolytic capacitor-RS	1.0uF/50V 105 φ4*7mm	C131	
0007	CF00141	metal-film capacitor MSC	0.0068uF/100V 5% CASE01	C132	
0008	CF00155	metal-film capacitor MSC	0.22uF/63V 5% CASE02	C177	
0009	CF00179	metal-film capacitor ESK	0.0022uF/100V 5% CASE01	C176	
0010	CF00183	metal-film capacitor MSC	0.1uF/100V 5% CASE01	C112,C169,C145,C170	
0011	HK13140	PC board-RS	P-DM 350W+65W MAIN-SMD		
0001	CI00061	SMD ceramic capacitor 0603	220PF/50V NPO ±5%	C103,C174	
0002	CI00075	SMD ceramic capacitor 0603	0.1uF/50V Y5V +80,-20%	C106,C107,C173,C100,C101,C102,C163,C175	
0003	CI00103	SMD ceramic capacitor 1206	100PF/50V NPO ±5%	C134	
0004	CI00136	SMD ceramic capacitor 1206	560PF/50V NPO ±5%	C126	
0005	CI00175	SMD ceramic capacitor 0603	1.0uF/16V X7R±10%(C1608X7R1C105KT)/TDK	C104	
0006	CI00195	SMD ceramic capacitor 1206	4.7uF/25V Y5V +80%;-20%	C178	
0007	CI00212	SMD ceramic capacitor1206	0.047uF/50V X7R ±5%	C127	
0008	CI00269	SMD ceramic capacitor-RS 1206	1.0uF/25V X7R ±10%	C146,C171,C172,C136,C128,C129,C130,C154	
0009	RD00059	SMD fixed resistor 1/10W	0.0Ω ±5% 0603	R158,R173,R114,R125	
0010	RD00065	SMD fixed resistor 1/10W	47Ω ±5% 0603	R144,R145,R118,R137,R157	
0011	RD00077	SMD fixed resistor 1/10W	390Ω ±5% 0603	R174	
0012	RD00083	SMD fixed resistor 1/10W	1.0KΩ ±5% 0603	R107,R123,R143,R160,R188,R190,R177	
0013	RD00087	SMD fixed resistor 1/10W	2.0KΩ ±5% 0603	R111,R113,R109,R134,R135	
0014	RD00101	SMD fixed resistor 1/10W	10KΩ ±5% 0603	R191,R192,R150,R187,R189	
0015	RD00106	SMD fixed resistor 1/10W	27KΩ ±5% 0603	R104	
0016	RD00116	SMD fixed resistor 1/10W	100KΩ ±5% 0603	R100,R101,R117,R122,R138,R140,R141,R142	
0017	RD00125	SMD fixed resistor 1/10W	1.0MΩ ±5% 0603	R105	
0018	RD00129	SMD fixed resistor 1/4W	0.0Ω ±5% 1206	R108	
0019	RD00130	SMD fixed resistor 1/4W	10Ω ±5% 1206	R159,R167,R165,R166	
0020	RD00133	SMD fixed resistor 1/4W	100Ω ±5% 1206	R181,D400	
0021	RD00142	SMD fixed resistor 1/4W	10KΩ ±5% 1206	R102	
0022	RD00145	SMD fixed resistor 1/4W	33KΩ ±5% 1206	R164	
0023	RD00147	SMD fixed resistor 1/4W	100KΩ ±5% 1206	R116,R146,R151,R152,R153,R154,R155,R156,R300,R301,R136	
0024	RD00247	SMD precise resistor 1/4W	2.20KΩ ±1% 1206	R103,R161,R129,R185,R163	
0025	RD00303	SMD precise resistor 1/10W	57.6KΩ ±1% 0603	R127	
0026	RD00417	SMD precise resistor 1/4W	27.0KΩ ±1% 1206	R139	
0027	RD00428	SMD fixed resistor 1/4W	680Ω ±5% 1206	R162	
0028	RF00003	SMD semi-fixed resistor	EVN5ES X50B53-5K	P2	
0029	SE00011	SMD rectifier diode	RLS4148 0.5A (LL-34)	D100,D101,D104,D105,D106,D107,D108,D109,D110,D111,D120,D135,D136,D103,D133,D131,D132,D3	
0030	SE00012	SMD rectifier diode-RS	BAV103(PHI)	D2	

Rank	Part No	Description	Specification	Insert Location	Remark
0031	SE00018	SMD zener diode-RS-ACT	1/2W 6.8V LL-34	D112,D113	
0032	SE00084	SMD zener diode-RS	1W 13V(ISMA4743)DO214AC/(PANJIT)	D118	
0033	SE00097	SMD diode-RS-CT	1A/400V US1G(DO214AC)/(VISHAY)	D117,D121,D300,D301,D5,D7	
0034	SF00082	transistor-RS-ACT	MMBT5401LT1G(SOT23)/(ON)	Q100,Q101	
0035	SG00122	SMD integrated circuit-RS-ACT	NJM4580M-TE3(SOP8)/(JRC)	U13	
0036	SG00306	SMD integrated circuit	LM393DR(TI)/(MEXICO)	U3,U4,U14	
0037	SG00495	SMD integrated circuit-RS	IR2156SPBF(SO14)/(IR)	U5	
0038	AE00553	SenJu solder paste	M705-GRN360-K2-V 0.5KG/bottle		
0039	SE00038	SMD L.E.D	green KPJA-2107SGD 90° 0802	DS2	
0040	RD00027	SMD fixed resistor 1/8W	4.7KΩ ±5% 0805	R28	
0041	RD00484	SMD fixed resistor 1/8W	4.7Ω ±5% 0805	R23	
0042	RD00003	SMD fixed resistor 1/8W	10Ω ±5% 0805	R4,R8,R10	
0043	CL00006	SMD tantalum capacitor-RS-ACT	10uF/16V case B2	C4,C6,C16,C19	
0044	CL00028	SMD tantalum capacitor-RS	33uF/10V case B2 (NEC ESVB21A336M)	C11	
0045	RD00481	SMD fixed resistor 1/8W	8.2KΩ ±5% 0805	R14	
0046	RD00025	SMD fixed resistor 1/8W	3.3KΩ ±5% 0805	R6	
0047	RD00612	SMD precise resistor-RS 1/8W	4.99KΩ ±1% 0805	R20	
0048	CI00021	SMD ceramic capacitor 0805	0.001uF/50V NPO ±5%	C2,C22,C24	
0049	RD00024	SMD fixed resistor 1/8W	3KΩ ±5% 0805	R53	
0050	CI00112	SMD ceramic capacitor 0805	0.01uF/50V X7R ±10%	C31	
0051	RD00018	SMD fixed resistor 1/8W	1.0KΩ ±5% 0805	R22	
0052	RD00042	SMD fixed resistor 1/8W	33KΩ ±5% 0805	R39,R44	
0053	RD00032	SMD fixed resistor 1/8W	10KΩ ±5% 0805	R29,R42	
0054	SG00667	SMD integrated circuit-RS	IRS2092S(SOIC16N)/(IR)	U2	
0055	HB03330	PCB-RS	DM 350W+65W MAIN_VER110315		
0032	NC03371	insulation piece-RS	TS 112A 1t*86*86_V1.0		fan & barrier
0033	MA08850	panel-RS	TS115A MK ALTO CHINA_V1.1		
0034	HD00013	glass tube fuse	3.15A 250V φ5*20mm CSA/S/UL/VDE		
0035	HK13153	PC board-RS	P-TS115A PRE-DIP		
0001	CF00014	metal-film capacitor MEC	0.01uF/400V 10%	C14	
0002	SA00105	zener diode	1W 12V 1N4742	ZD1,ZD2,ZD3,ZD4,ZD6,ZD7,ZD8,ZD9	
0003	CB00065	electrolytic capacitor	470uF/25V φ10*16mm	C32,C33	
0004	HC00076	connector(male)	2P 2.5mm 180°	CN2,CN3,CN6	
0005	HC00077	connector(male)	3P 2.5mm 180°	CN1	
0006	HC00392	balance MIC jack-RS	JY-5030-030G 180°	MIC2	
0007	HI00162	push-button switch	2 paragraphs 6p PS-22E8552L	SW2,SW3	
0008	SB00014	Photodiode-RS-ACT	VTL5C4	D3	
0009	SA00053	L.E.D	φ3 round(red)long foot 26mm	DL1	
0010	SA00052	L.E.D	φ3 round(green)long foot 26	DL2	
0011	NI04453	LED spacer support-RS	LEDS-21 21mm	DL1,DL2	
0012	AC00603	lead free soldering bar	S100		
0013	HK13155	PC board-RS	P-TS115A PRE-AI		
0001	SB00034	transistor	2SC1815GR(SC43)/(TOSHIBA)	TR1	
0002	SB00033	transistor-RS-ACT	2SA1015-GR(SC43)/(TOSHIBA)	Q100	
0003	SB00096	transistor-RS-ACT	2SC2878A(SC43)/(TOSHIBA)	Q102	
0004	CB00263	electrolytic capacitor	10uF /25V φ4*7mm	C100	
0005	CB00194	electrolytic capacitor	47uF/25V φ5*11mm	C1,C2,C7,C8,C9,C11,C64,C66,C67,C70	
0006	CB00248	electrolytic capacitor	2.2uF/50V φ4*5mm	C101,C18,C19	
0007	CB00406	electrolytic capacitor-RS	220uF/16V 105 φ6.3*11mm	C102	
0008	CF00243	metal-film capacitor-RS	0.027uF/100V 5% CASE01	C20	
0009	CF00148	metal-film capacitor	0.0033uF/100V 5% CASE01	C47,C48	
0010	CF00019	metal-film capacitor MSC	0.015uF/100V 5% CASE01	C34,C35	
0011	CF00242	metal-film capacitor-RS	0.0056uF/100V 5% CASE01	C44,C45,C46	
0012	CF00183	metal-film capacitor MSC	0.1uF/100V 5% CASE01	C15,C16	
0013	CF00016	metal-film capacitor MSC	0.01uF/100V 5% CASE01	C21	
0014	CF00166	metal-film capacitor ESK	0.0027uF/100V 5% CASE01	C55	
0015	HK13154	PC board-RS	P-TS115A PRE-SMD		
0001	CI00029	SMD ceramic capacitor 0805	0.1uF/50V Y5V	C22,C23,C24,C25,C26,C27,C28,C29,C30,C31,C42,C43,C49,C50,C51,C52,C53,C54,C57,C58,C59,C60,C61,C62,C71,C72	
0002	RD00002	SMD fixed resistor 1/8W	0.0Ω ±5% 0805	R18,R64,R66A,R108,ZD5	
0003	RD00006	SMD fixed resistor 1/8W	100Ω ±5% 0805	R25,R62	

Rank	Part No	Description	Specification	Insert Location	Remark
0004	RD00049	SMD fixed resistor 1/8W	100KΩ ±5% 0805	R31,R32,R37,R38,R39,R103,R104	
0005	RD00032	SMD fixed resistor 1/8W	10KΩ ±5% 0805	R8,R9,R10,R15,R20,R29,R30,R33B,R35,R36,R40,R42,R43,R46,R47,R48,R49,R50,R54,R55,R56,R57,R70,R77,R79	
0006	CI00001	SMD ceramic capacitor 0805	10PF/50V NPO	C17	
0007	RD00682	SMD precise resistor-RS 1/8W	13.0KΩ ±1% 0805	R53	
0008	RD00050	SMD fixed resistor 1/8W	150KΩ ±5% 0805	R17	
0009	RD00034	SMD fixed resistor 1/8W	15KΩ ±5% 0805	R3	
0010	RD00018	SMD fixed resistor 1/8W	1.0KΩ ±5% 0805	R21,R22	
0011	RD00056	SMD fixed resistor 1/8W	1.0MΩ ±5% 0805	R7,R78	
0012	RD00227	SMD precise resistor 1/8W	200Ω ±1% 0805	R105,R106	
0013	RD00230	SMD precise resistor 1/8W	470Ω ±1% 0805	R14	
0014	RD00037	SMD fixed resistor 1/8W	20KΩ ±5% 0805	R11,R71,R72	
0015	RD00052	SMD fixed resistor 1/8W	220KΩ ±5% 0805	R23	
0016	RD00038	SMD fixed resistor 1/8W	22KΩ ±5% 0805	R101	
0017	CI00007	SMD ceramic capacitor 0805	22PF/50V NPO	C3,C4,C5,C6,C63,C65,C68,C69,C36,C37,C39,C40,C41	
0018	RD00022	SMD fixed resistor 1/8W	2.0KΩ ±5% 0805	R26,R28	
0019	RD00625	SMD precise resistor-RS 1/8W	3.32KΩ ±1% 0805	R27	
0020	RD00012	SMD fixed resistor 1/8W	330Ω ±5% 0805	R73	
0021	RD00024	SMD fixed resistor 1/8W	3KΩ ±5% 0805	R107	
0022	RD00045	SMD fixed resistor 1/8W	51KΩ ±5% 0805	R109	
0023	RD00027	SMD fixed resistor 1/8W	4.7KΩ ±5% 0805	R1,R2,R33,R74,R4,R5,R34,R76	
0024	RD00044	SMD fixed resistor 1/8W	47KΩ ±5% 0805	R75	
0025	CI00012	SMD ceramic capacitor 0805	47PF/50V NPO	C12,C13,C38	
0026	RD00030	SMD fixed resistor 1/8W	6.8KΩ ±5% 0805	R13,R24	
0027	RD00031	SMD fixed resistor 1/8W	7.5KΩ ±5% 0805	R58	
0028	SE00011	SMD rectifier diode	RLS4148 0.5A (LL-34)	D1,D2,D100,D101,D102,D103	
0029	SG00122	SMD integrated circuit-RS-ACT	NJM4580M-TE3(SOP8)/(JRC)	U1,U2,U3,U4,U5,U6,U7,U8,U9,U10,U11,U12	
0030	AE00553	SenJu solder paste	M705-GRN360-K2-V 0.5KG/bottle		
0031	RD00228	SMD precise resistor 1/8W	220Ω ±1% 0805	R6,R66	
0032	RD00035	SMD fixed resistor 1/8W	16KΩ ±5% 0805	R12	
0033	RD00675	SMD fixed resistor-RS 1/8W	4.12KΩ ±1% 0805	R41	
0034	RD00739	SMD precise resistor-RS	5.1KΩ ±1% 0805	R51	
0035	HB03331	PCB-RS	TS112A PRE(1*4)_VER110324		
0014	HA03127	wire-RS	8P(male)-8P(female) 150mm UL1007 28AWG	CP4	
0015	HA01919	jump	5mm	C56	
0016	CG00063	filter-EMI FILTER	LF-22UH(WAH TAYI)	L1,L2,L3,L4	
0017	RA01258	fixed resistor 1/4W	10Ω	R16	
0018	RA01114	fixed resistor 1/4W	2.2KΩ	R102	
0019	RA01234	fixed resistor 1/4W	4.7KΩ	R100	
0020	HC01212	balance MIC jack-RS	K6X01V-6-3A	MIC1,MIC3	
0021	RC00230	potentiometer	A100KΩ R0911NOB-V1-A104FN00-00	VR1,VR2	
0022	RA01271	fixed resistor 1/4W	5.1KΩ		
0036	NI02590	cable tie	YJ-203V0 UL94V-0		fix the GND
0037	MF00014	washer	φ3*φ6.5*0.5t		PRE GND
0038	MG00269	screw-RS	M3*6		PRE *2+EQ*4
0043	NE20842	label-RS-CT	TS115A_V1.1		unit*2, carton*1, manual*1
0044	NE20822	label-RS	TS115A_V1.0		unit*1
0045	NB06877	carton-RS-CT	TS115A ALTO_V1.3		
0046	NF03534	assurance card-RS	ALTO ALESIS_V1.0		
0047	MG00838	screw-RS	FLASH12 φ30.5*51.5_V1.0		
0048	MI05478	label-RS-ACT	ALESIS		
0049	MG00373	screw	M3*5mm		latch heat sink & tweeter
0050	MI05479	heat-sink-RS-CT	TS 115A 3*30*15*36_V1.0		
0051	NI06135	fixed piece-RS-CT	TS 112A 5.12*54.66*54.66_V1.0		
0052	ND01228	EV foam-RS-CT	1t*50.5*50.5 black_V1.0		paste on AL nameplate and plastic fixed piece
0053	NF03557	user manual-RS	TS115A ALTO_V1.0		
0054	NE21070	label-RS-CT	Truesonic series_V1.0		paste on upper right corner of grille