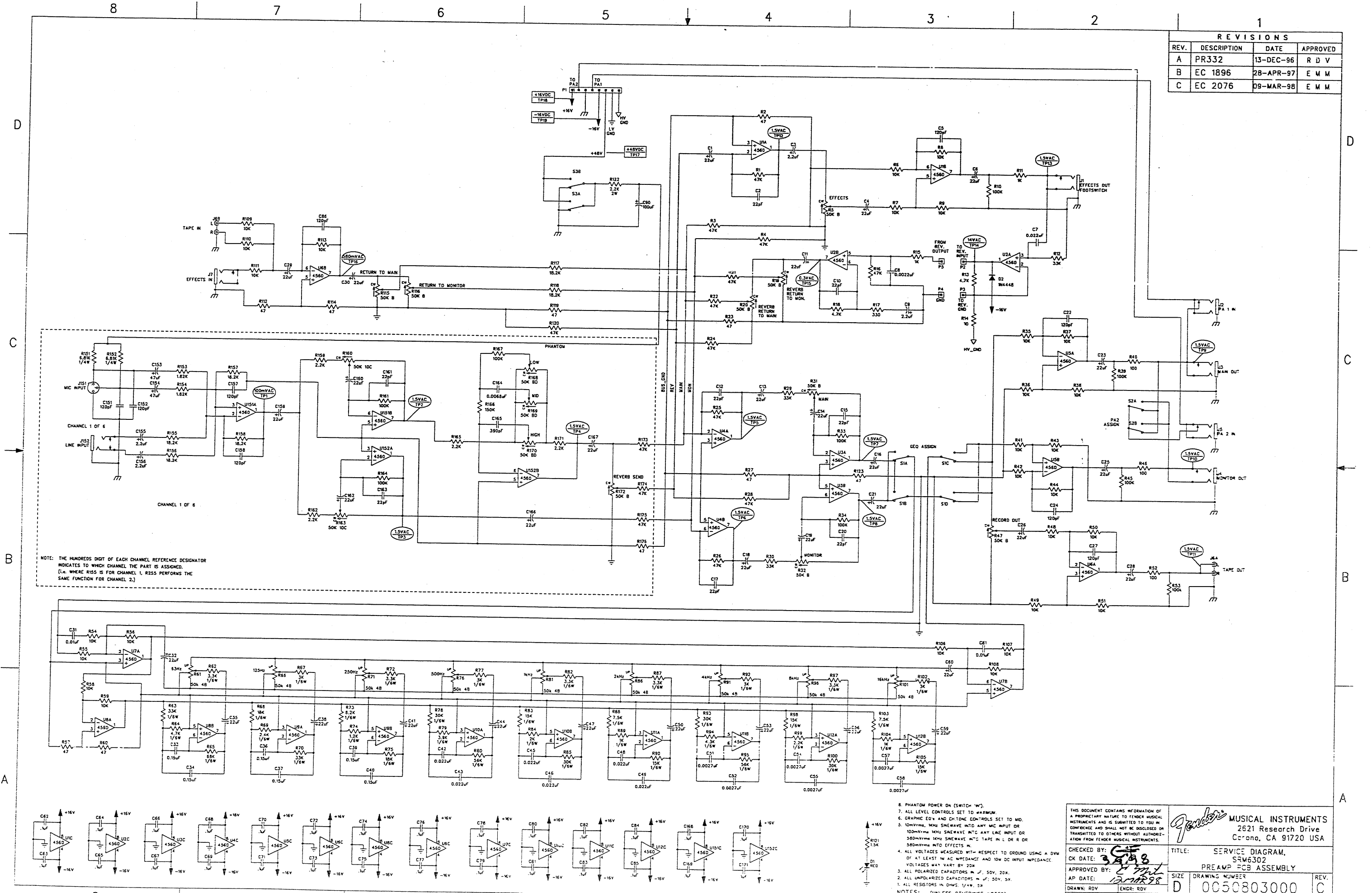


REVISIONS			
REV.	DESCRIPTION	DATE	APPROVED
A	PR332	13-DEC-96	R D V
B	EC 1896	28-APR-97	E M M
C	EC 2076	09-MAR-98	E M M



NOTE: THE HUNDREDS DIGIT OF EACH CHANNEL REFERENCE DESIGNATOR INDICATES TO WHICH CHANNEL THE PART IS ASSIGNED. (I.E. WHERE R155 IS FOR CHANNEL 1, R255 PERFORMS THE SAME FUNCTION FOR CHANNEL 2.)

- PHANTOM POWER ON (SWITCH "M").
 - ALL LEVEL CONTROLS SET TO MAXIMUM.
 - GRAPHIC EQ'S AND CH-TONE CONTROLS SET TO MID.
 - LOW-FREQUENCY SINEWAVE INTO ANY MIC INPUT OR 100mVrms 10kHz SINEWAVE INTO ANY LINE INPUT OR 300mVrms 10kHz SINEWAVE INTO TAPE IN L OR R OR 300mVrms INTO EFFECTS IN.
 - ALL VOLTAGES MEASURED WITH RESPECT TO GROUND USING A DVM OF AT LEAST 1M AC IMPEDANCE AND 10M DC INPUT IMPEDANCE. VOLTAGES MAY VARY BY 20%.
 - ALL POLARIZED CAPACITORS IN μ , 50V, 20X.
 - ALL UNPOLARIZED CAPACITORS IN μ , 50V, 5X.
 - ALL RESISTORS IN OHMS, 1% OR 5%.
- NOTES: (UNLESS OTHERWISE NOTED)

THIS DOCUMENT CONTAINS INFORMATION OF A PROPRIETARY NATURE TO FENDER MUSICAL INSTRUMENTS AND IS LOANED TO YOU IN CONFIDENCE AND SHALL NOT BE DISCLOSED OR TRANSMITTED TO OTHERS WITHOUT AUTHORIZATION FROM FENDER MUSICAL INSTRUMENTS.

Fender MUSICAL INSTRUMENTS
2621 Research Drive
Corona, CA 91720 USA

CHECKED BY: *[Signature]*
OK DATE: 3/2/98
APPROVED BY: *[Signature]*
AP DATE: 12/27/98
DRAWN: RDV
ENCR: RDV

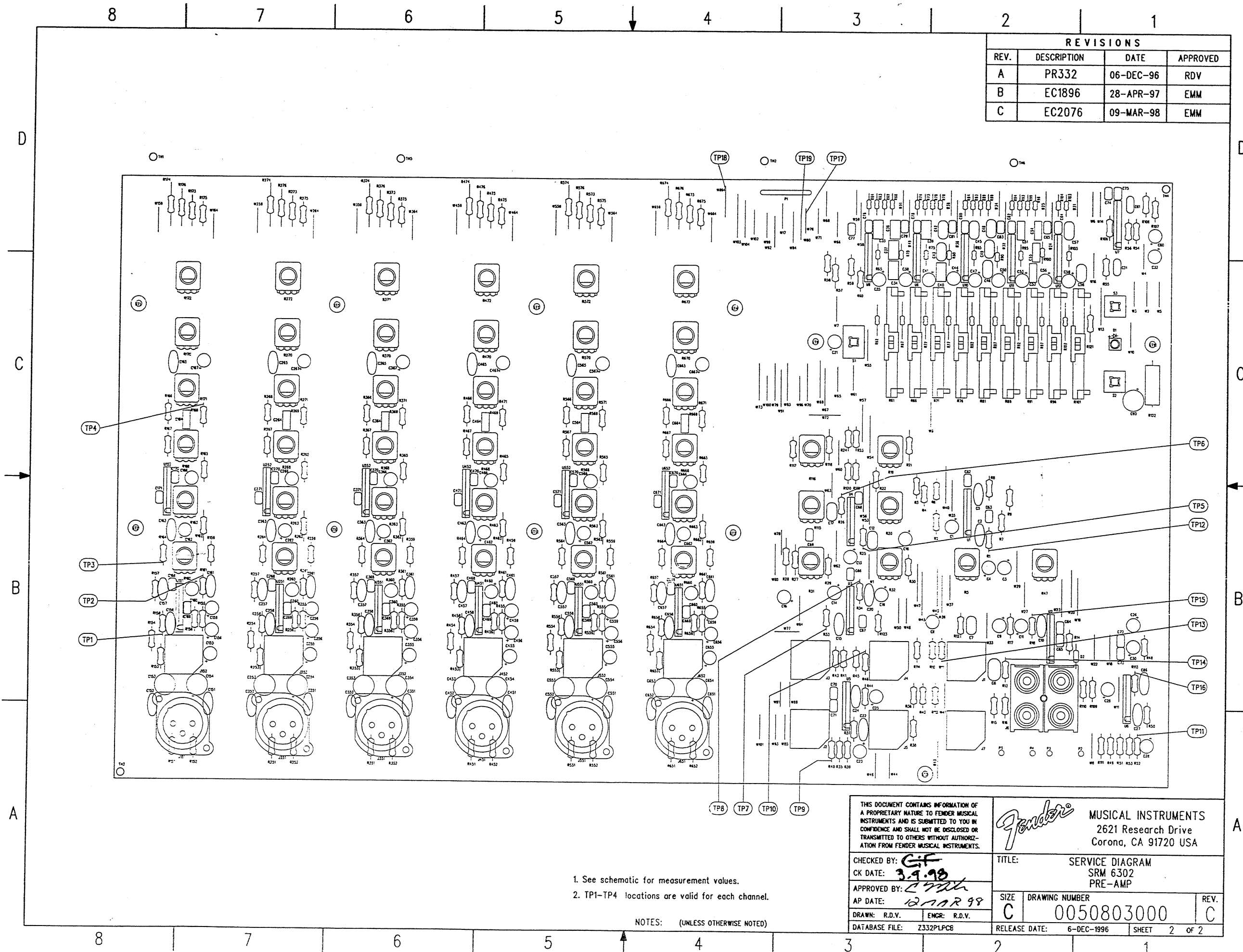
TITLE: SERVICE DIAGRAM, SRW6302
PREAMP PCB ASSEMBLY

SIZE: DRAWING NUMBER
D 0050803000

REV. C

RELEASE DATE: 13-DEC-96 | SHEET: 1 OF 2

FILE: z3321.sch




REVISIONS			
REV.	DESCRIPTION	DATE	APPROVED
A	PR332	06-DEC-96	RDV
B	EC1896	28-APR-97	EMM
C	EC2076	09-MAR-98	EMM

D
C
B
A

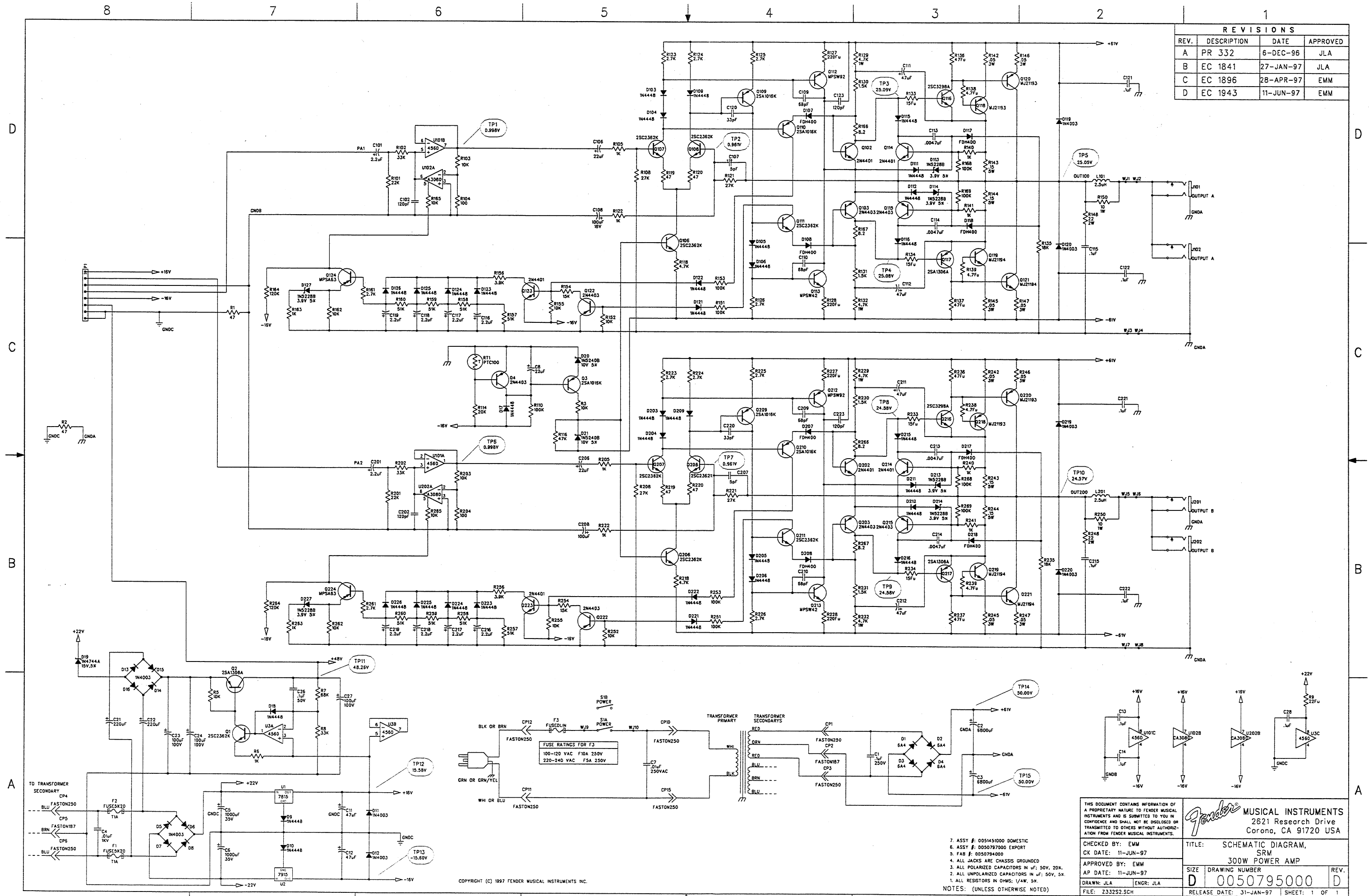
D
C
B
A

- See schematic for measurement values.
- TP1-TP4 locations are valid for each channel.

NOTES: (UNLESS OTHERWISE NOTED)

THIS DOCUMENT CONTAINS INFORMATION OF A PROPRIETARY NATURE TO FENDER MUSICAL INSTRUMENTS AND IS SUBMITTED TO YOU IN CONFIDENCE AND SHALL NOT BE DISCLOSED OR TRANSMITTED TO OTHERS WITHOUT AUTHORIZATION FROM FENDER MUSICAL INSTRUMENTS.		 MUSICAL INSTRUMENTS 2621 Research Drive Corona, CA 91720 USA	
CHECKED BY: <i>GF</i> CK DATE: <i>3.9.98</i>		TITLE: SERVICE DIAGRAM SRM 6302 PRE-AMP	
APPROVED BY: <i>EMM</i> AP DATE: <i>12 MAR 98</i>		SIZE: C	DRAWING NUMBER: 0050803000
DRAWN: R.D.V.	ENGR: R.D.V.	RELEASE DATE: 6-DEC-1996	SHEET 2 OF 2
DATABASE FILE: Z332PLPCB		REV. C	

REVISIONS			
REV.	DESCRIPTION	DATE	APPROVED
A	PR 332	6-DEC-96	JLA
B	EC 1841	27-JAN-97	JLA
C	EC 1896	28-APR-97	EMM
D	EC 1943	11-JUN-97	EMM



FUSE RATINGS FOR F3
 100-120 VAC F10A 250V
 220-240 VAC F5A 250V

THIS DOCUMENT CONTAINS INFORMATION OF A PROPRIETARY NATURE TO FENDER MUSICAL INSTRUMENTS AND IS SUBMITTED TO YOU IN CONFIDENCE AND SHALL NOT BE DISCLOSED OR TRANSMITTED TO OTHERS WITHOUT AUTHORIZATION FROM FENDER MUSICAL INSTRUMENTS.

Fender MUSICAL INSTRUMENTS
 2621 Research Drive
 Corona, CA 91720 USA

CHECKED BY: EMM
 CK DATE: 11-JUN-97

APPROVED BY: EMM
 AP DATE: 11-JUN-97

DRAWN: JLA ENGR: JLA

FILE: Z332S2.SCH

TITLE: SCHEMATIC DIAGRAM, SRM 300W POWER AMP

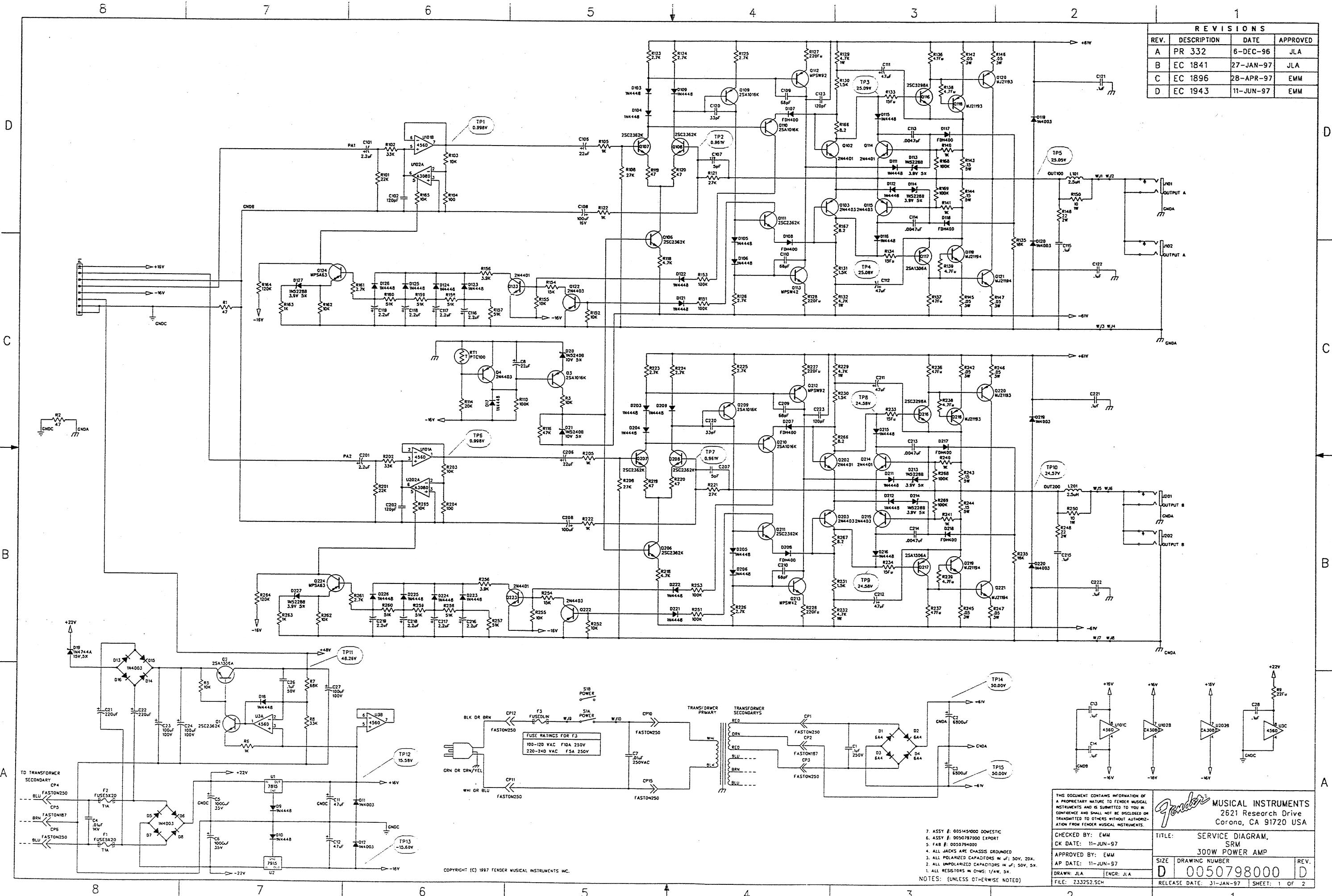
SIZE: DRAWING NUMBER
 D 0050795000

REV. D

RELEASE DATE: 31-JAN-97 SHEET: 1 OF 1

- NOTES: (UNLESS OTHERWISE NOTED)
7. ASSY #: 0051451000 DOMESTIC
 8. ASSY #: 0050797000 EXPORT
 9. FAB #: 0050794000
 10. ALL JACKS ARE CHASSIS GROUNDED
 11. ALL POLARIZED CAPACITORS IN UF; 50V, 20X.
 12. ALL UNPOLARIZED CAPACITORS IN UF; 50V, 5X.
 13. ALL RESISTORS IN OHMS; 1/4W, 5X.

REVISIONS			
REV.	DESCRIPTION	DATE	APPROVED
A	PR 332	6-DEC-96	JLA
B	EC 1841	27-JAN-97	JLA
C	EC 1896	28-APR-97	EMM
D	EC 1943	11-JUN-97	EMM



FUSE RATINGS FOR FJ
 100-120 VAC F1DA 250V
 220-240 VAC FSA 250V

COPYRIGHT (C) 1997 FENDER MUSICAL INSTRUMENTS, INC.

THIS DOCUMENT CONTAINS INFORMATION OF A PROPRIETARY NATURE TO FENDER MUSICAL INSTRUMENTS AND IS SUBMITTED TO YOU IN CONFIDENCE AND SHALL NOT BE DISCLOSED OR TRANSMITTED TO OTHERS WITHOUT AUTHORIZATION FROM FENDER MUSICAL INSTRUMENTS.

Fender MUSICAL INSTRUMENTS
 2621 Research Drive
 Corona, CA 91720 USA

CHECKED BY: EMM
 CK DATE: 11-JUN-97

APPROVED BY: EMM
 AP DATE: 11-JUN-97

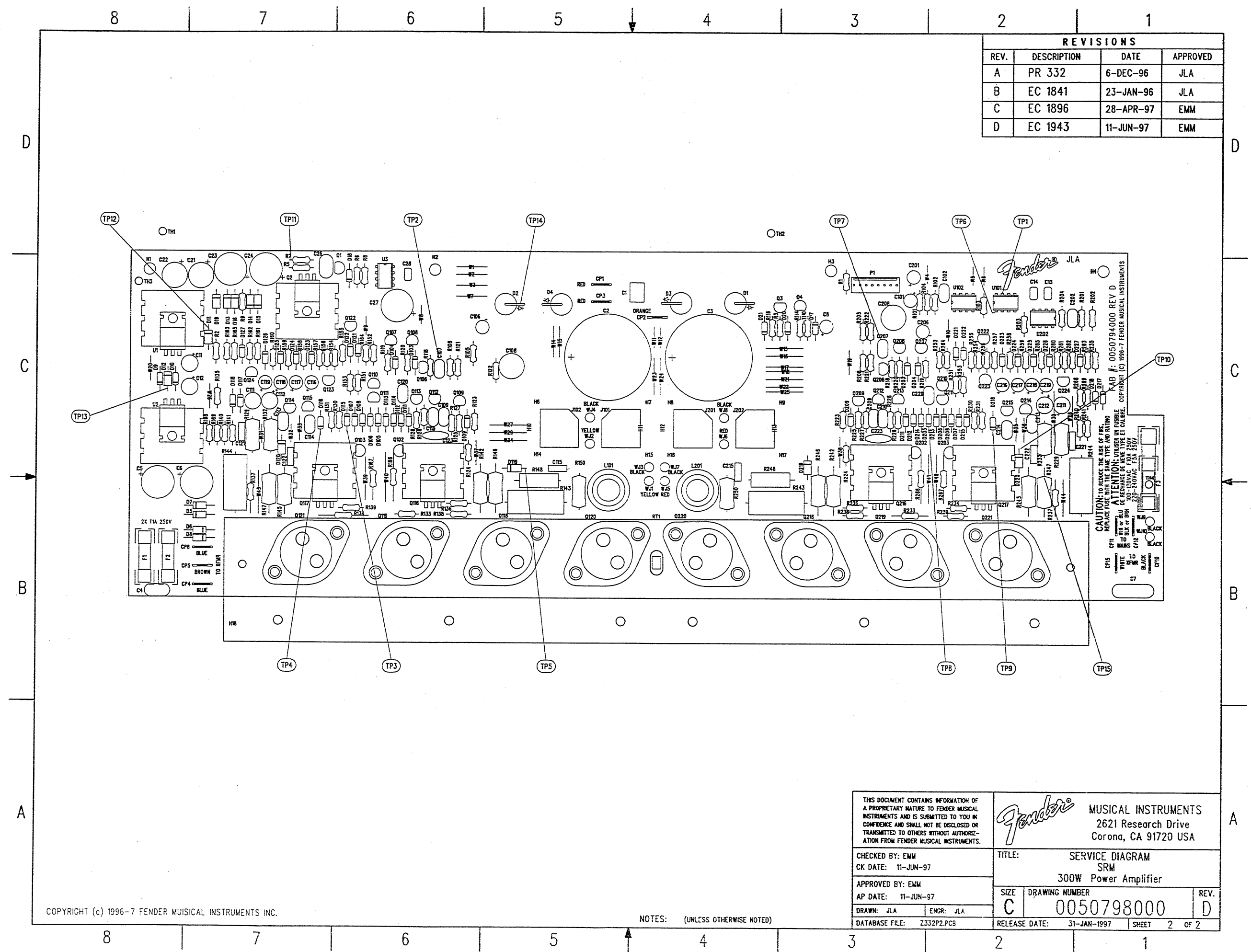
DRAWN: JLA ENGR: JLA
 FILE: Z3J252.SCH

TITLE: SERVICE DIAGRAM,
 SRM
 300W POWER AMP

SIZE DRAWING NUMBER
D 0050798000

RELEASE DATE: 31-JAN-97 SHEET: 1 OF 2

1. ALL JACKS ARE CHASSIS GROUNDING
 2. ALL POLARIZED CAPACITORS IN μ F; 50V, 20X.
 3. ALL UNPOLARIZED CAPACITORS IN μ F; 50V, 5X.
 4. ALL RESISTORS IN Ω 'S; 1/4W, 5X.
- NOTES: (UNLESS OTHERWISE NOTED)



REVISIONS			
REV.	DESCRIPTION	DATE	APPROVED
A	PR 332	6-DEC-96	JLA
B	EC 1841	23-JAN-96	JLA
C	EC 1896	28-APR-97	EMM
D	EC 1943	11-JUN-97	EMM

COPYRIGHT (c) 1996-7 FENDER MUSICAL INSTRUMENTS INC.

NOTES: (UNLESS OTHERWISE NOTED)

THIS DOCUMENT CONTAINS INFORMATION OF A PROPRIETARY NATURE TO FENDER MUSICAL INSTRUMENTS AND IS SUBMITTED TO YOU IN CONFIDENCE AND SHALL NOT BE DISCLOSED OR TRANSMITTED TO OTHERS WITHOUT AUTHORIZATION FROM FENDER MUSICAL INSTRUMENTS.		MUSICAL INSTRUMENTS 2621 Research Drive Corona, CA 91720 USA	
CHECKED BY: EMM CK DATE: 11-JUN-97		TITLE: SERVICE DIAGRAM SRM 300W Power Amplifier	
APPROVED BY: EMM AP DATE: 11-JUN-97		SIZE: C	DRAWING NUMBER: 0050798000
DRAWN: JLA	ENGR: JLA	RELEASE DATE: 31-JAN-1997	REV: D SHEET 2 OF 2
DATABASE FILE: Z332P2.PCB			

CAUTION: TO REPLACE THE BULK OF FUSE
 REPLACE FUSE WITH THE SAME TYPE AND RATING
 ATTENTION: UNLESS OTHERWISE SPECIFIED
 ALL RESISTORS ARE 1/4W 5% TOLERANCE
 UNLESS OTHERWISE SPECIFIED
 ALL CAPACITORS ARE 50V UNLESS OTHERWISE SPECIFIED
 UNLESS OTHERWISE SPECIFIED
 UNLESS OTHERWISE SPECIFIED

CP15
 WHITE 10
 W10
 BLACK CP10
 CP11
 BLUE TO XTHR
 CP4 BLUE
 CP5 BROWN
 CP6 BLUE
 D6
 D5
 D4
 D3
 D2
 D1

KAB #: 0050794000 REV D
 COPYRIGHT (C) 1986-7 FENDER MUSICAL INSTRUMENTS