

BILL OF MATERIALS REPORT

BOARD NAME: TR112PRE REPORT DATE: 23OCT00
 ASSEMBLY LEVEL NUMBER: 99099001 DESIGNER: GARY GOODIN
 PROJECT NUMBER: P9900099

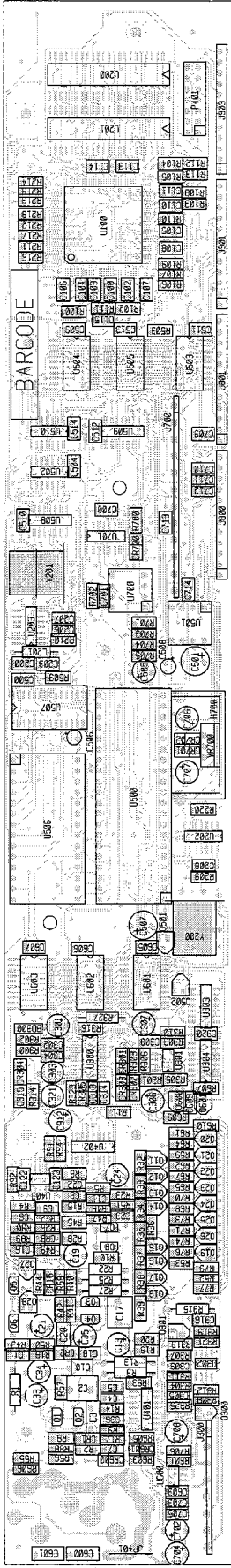
CBS PART DESCRIPTION AND
 PART NUMBER DEVICE DESIGNATIONS *****
 ** QTY NAME VALUE NUMBER DEVICE DESIGNATIONS *****

CBS PART	VALUE	NUMBER	DEVICE DESIGNATIONS
I 72100660	72100660	ECN#0019	PCB
5 .0015S	.0015	70300037	.0015MF X7R 50V 10% SMT 1206
4 .001S	.001	70300036	.001MF X7R 50V 10% SMT 1206
4 .0022S	.0022	70300019	.0022MF-X7R-----10%-SMT
I .0068M	.0068M	70330117	.0068mf--5%--50vdc--ny--&a
I .015S	.015	70300024	.015UF--SURFACE MNT--1206 PACK
4 .047S	.047	70300027	.047-----SURFACE MNT--1206 PACK
10 .1P10S	.1P10	70300028	.1mfid x7r 50v 10% 1206
53 .1S	.1	70300035	.1MF Z5U 50V 20% SMT 1206
			C1, C100, C102, C103, C104, C108, C109, C110, C111, C112, C113, C114, C122, C123, C200, C301, C202, C208, C300, C302, C304, C308, C313, C314, C320, C322, C323, C324, C325, C401, C402, C403, C404, C500, C502, C504, C509, C510, C511, C512, C513, C514, C515, C602, C603, C605, C606, C607, C609, C700, C701, C703, C705
3 .15F	.15F	70330113	0.10 MFD 10% 100V STCK FILM T&A
2 .225F2	.225F2	70330114	0.22 MF 5% 100V STCK FILM &a
			C3, C600, C601

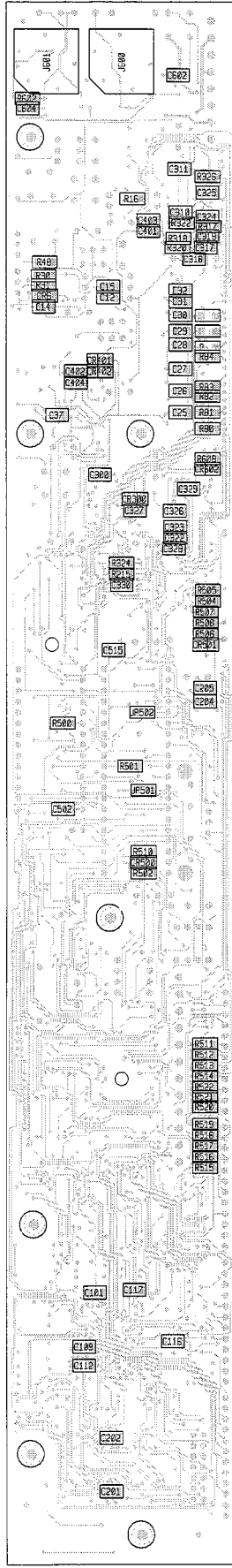
1 1.3KS	1.3K	70200062	1.3K--1/8W--5%--SM
			R51
5 1.5KS	1.5K	70200020	1.5K--1/8W--5%--smt
5 100KS	100K	70200034	100K--1/8W--5%--SM
			R19, R41, R42, R43, R38
I 100PFS	100PF	70300044	100PF COG 50V 5% SMT 1206
			R9, R11, R32, R40, R93
2 100S	100	70200013	100--1/8W--5%--smt
			C107
27 10KS	10K	70200028	10K--1/8W--5%--SMT
			R501, R506
			R35, R102, R104, R105, R108, R112, R113, R301, R303, R305, R306, R310, R505, R511, R512, R513, R514, R515, R516, R517, R518, R519, R520, R521, R522, R610, R702
I 10PFS	10PF	70300010	10PF COG 50V 5% SMT 1206
4 10K50L	10K50L	70320185	10MF-----20%-----50VDC--LL-T&A
			C207
I 11.289M	11.289M	70800026	11.2894 MHZ CRYSTAL
			C306, C312, C505, C708
2 12KS	12K	70200029	12K--1/8W--5%--SMT
			Y200
4 12SRHDRU	73717071	73717071	12 PIN 100 SR HEADER .135/.360
			R55, R706
4 13.7KPI	13.7KPI	70200106	13.7K 1/8W-1%-SMT 1206
			J800, J801, J901, J903
I 133KPI	133KPI	70240133	133K 1% 1/4W MF T&R
			R307, R311, R318, R320
			R3
I 14DBHDR	73717040	73717040	CONN 14-PIN 0.100 H
2 150KPI	150KPI	70241035	150K--1/4W--1%--MF--T&R
			P401
I 150S	150	70200014	150--1/8W--5%--smt
			R22, R25

8 1740	1740	70401740	25C1740SLN 40V.1A. NPN, LOW NOISE T&A
			R314
I 18KS	18K	70200030	18K--1/8W--5%--SMT
			Q1, Q2, Q3, Q4, Q5, Q6, Q7, Q8
27 1KS	1K	70200019	1k--1/8W--5%--smt
			R15
			R38, R56, R57, R100, R103, R106, R107, R109, R110, R211, R212, R213, R214, R216, R217, R218, R219, R325, R326, R500, R503, R504, R507, R509, R601, R605, R607
3 1MS	1M	70200036	1M--1/8W--5%--SMT
			R88, R210, R609
I IN4001S	IN4001	70418103	IN4001 50V 1.6A DIODE SMT
			CR701
19 IN4148S	4148	70418026	IN4148 (LL34) DIODE SMT
			CR1, CR2, CR3, CR6, CR15, CR300, CR301, CR302, CR303, CR304, CR305, CR401, CR402, CR500, CR600, CR601, CR602, CR700, CR702
I IN751S	IN751	70418027	5.1V, 5%, 500MW, ZENER, SMT (LL34)
			CR501
3 1R50	1R50	70320261	1MF 20% 50 VDC EL T&A
			C301, C303, C321
3 2.2KS	2.2K	70200021	2.2K--1/8W--5%--smt
			R37, R47, R701
I 2.2MS	2.2M	70200037	2.2M--1/8W--5%--SMT
			R44
I 2.2R50	2.2R50	70320180	2.2MF-----20%-----50VDC--EL--T&A
			C19
2 2.2T25	2.2T25	70340087	2.2 MF, 10%, 25VDC, TANTALUM T&A
			C506, C508
4 2.55KPI	2.55KPI	70200111	2.55K--1/8W--1%--SMT
			R308, R312, R319, R321
I 2.7UHA	2.7UH	70502027	2.7UH INDUCTOR T&R
			L201
4 20KPI	20KPI	70200059	20K--1/8W--1%--SMT

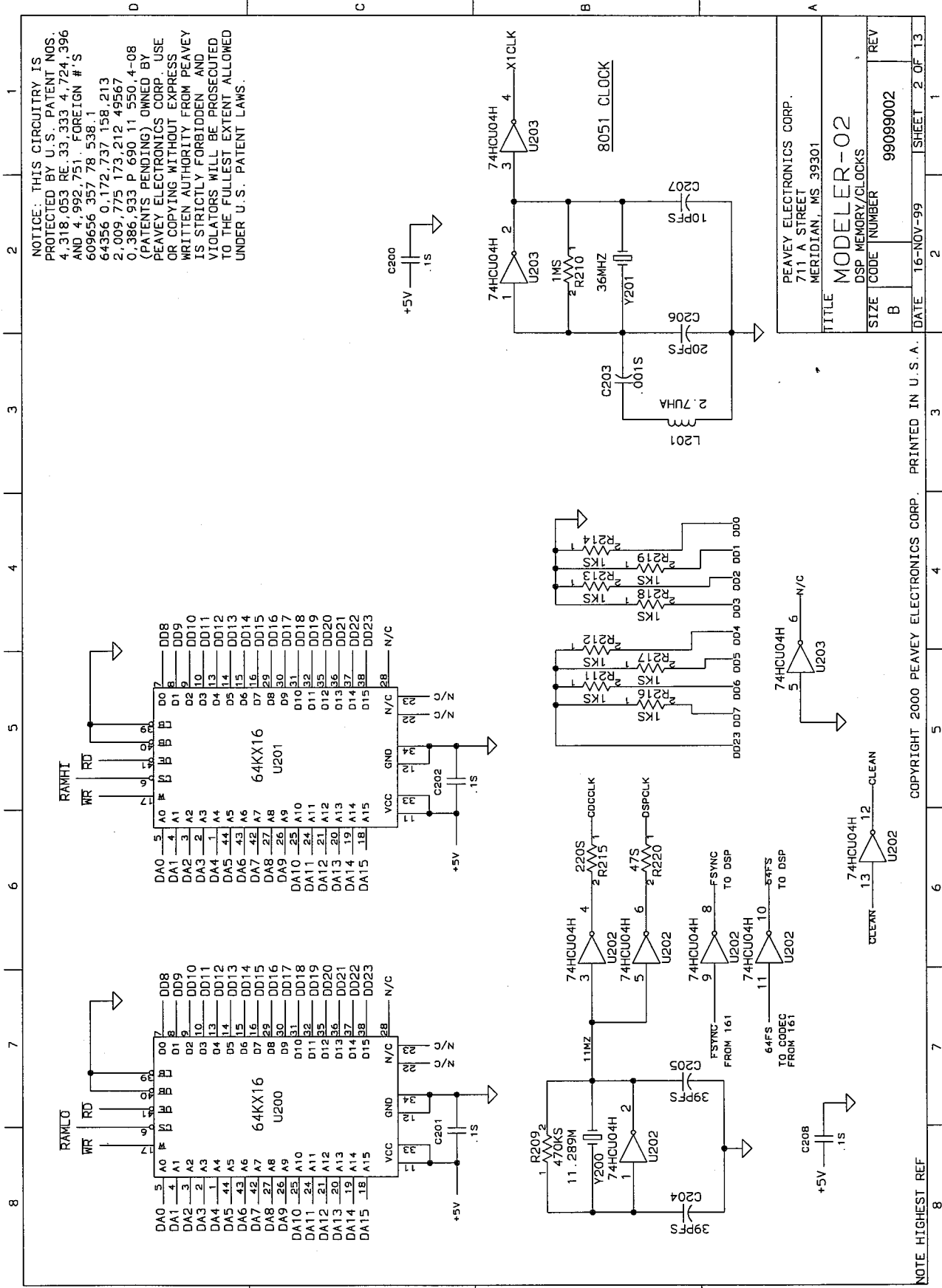
1 7805VVERT 7805VERT 70427805 VR CT REG VERTICAL MNT
 VR700
 1 8.2KS 8.2K 70200042 8.2K-1/8W-5%-SMT
 R309
 1 80C32-36 80C32-36 70400030 80C32 36MHZ MICROPROC.
 U500
 2 82KS 82K 70200112 82K-1/8W-5%-SMT-1206
 R12, R26
 1 BEAD4101 FB 70504101 BLM41A01-PT FERRITE CHIP
 BD300
 1 CAB0018 70600018 70600018 8C.156-5" JMPR W/FEED-TO CONN.
 J300
 1 CAB0119 70600119 70600119 12C PRE-TIN .156-5" CONN.
 J700
 1 CS4224KS CS4224K 70418199 STEREO 24-BIT CODEC SMT SSOP
 U300
 2 HDSNI 71466217 71466217 STEREO HD JACK NINS W/SPD
 J600, J601
 1 HS0629 70900629 70900629 AAVID VERTICAL TO-220 HEATSINK
 H700
 2 J111S J111 70418138 J111 N-CH JFET SOT23-SMT
 Q300, Q301
 9 J174S J174 70418139 J-174 P-CHNL JFET 30V SOT-23
 Q11, Q12, Q13, Q14, Q15, Q16, Q17, Q18,
 Q28
 1 JMP JMP 70600005 22 GA. JUMPER WIRE T&R
 JP401
 2 JMPS JMP 70200010 0.0-1/8W-5%-smt
 JP501, JP502
 2 MAX364GH MAX364 70418160 MAX364 QUAD ANALOG SW - SMT
 U401, U402



TRANSTUBE TRANSFORMER 112/212 PRE-AMP PRIMARY-SIDE



TRANSTUBE TRANSFORMER 112/212 PRE-AMP SECONDARY-SIDE

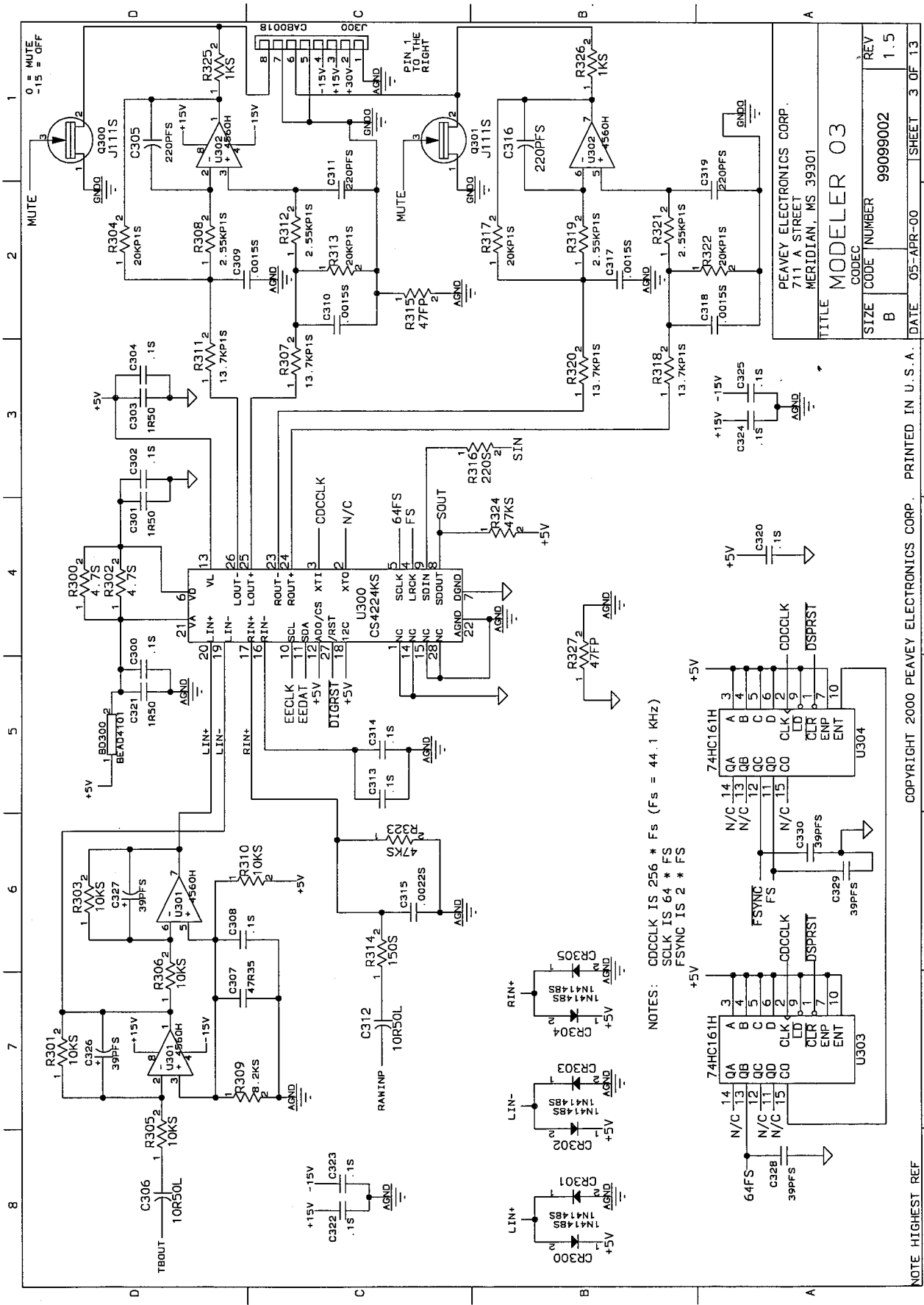


NOTICE: THIS CIRCUITRY IS PROTECTED BY U.S. PATENT NOS. 4,318,053 RE.33,333 4,724,396 AND 4,992,751. FOREIGN #'S 609656 357 78 538.1 64356 0,172,737 158,213 2,009,775 173,212 49567 0,386,933 P 690 11 550,4-08 (PATENTS PENDING) OWNED BY PEAVEY ELECTRONICS CORP. USE OR COPYING WITHOUT EXPRESS WRITTEN AUTHORITY FROM PEAVEY IS STRICTLY FORBIDDEN AND VIOLATORS WILL BE PROSECUTED TO THE FULLEST EXTENT ALLOWED UNDER U.S. PATENT LAWS.

PEAVEY ELECTRONICS CORP.
711 A STREET
MERIDIAN, MS_39301

TITLE **MODELER-02**
DSP MEMORY/CLOCKS

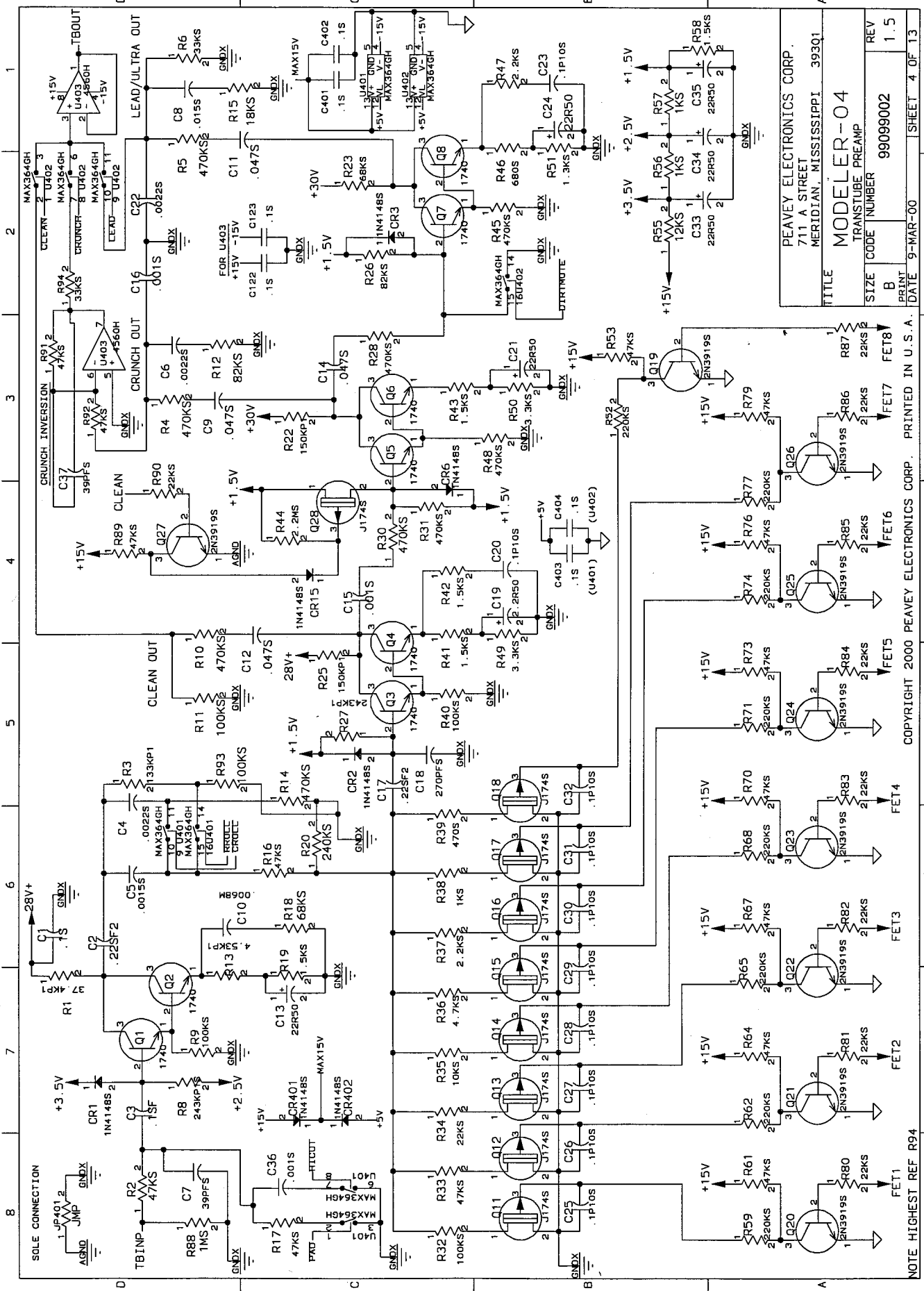
SIZE B
CODE NUMBER 9909002
REV



NOTES: CDCCLK IS 256 * Fs (Fs = 44.1 KHz)
 SCLK IS 64 * FS
 FSYNCLK IS 2 * FS

TITLE		MODELER 03	
CODEC		B	
SIZE	CODE NUMBER	99099002	REV
B			1.5
DATE		05-APR-00	SHEET
		3	3 OF 13

PEAVEY ELECTRONICS CORP.
 711 A STREET
 MERIDIAN, MS 39301



PEAVEY ELECTRONICS CORP.
 711 A STREET
 MERIDIAN, MISSISSIPPI 39301

TITLE
MODELER-04
 TRANSISTURE PREAMP

SIZE CODE NUMBER 9909002

PRINT REV 1.5

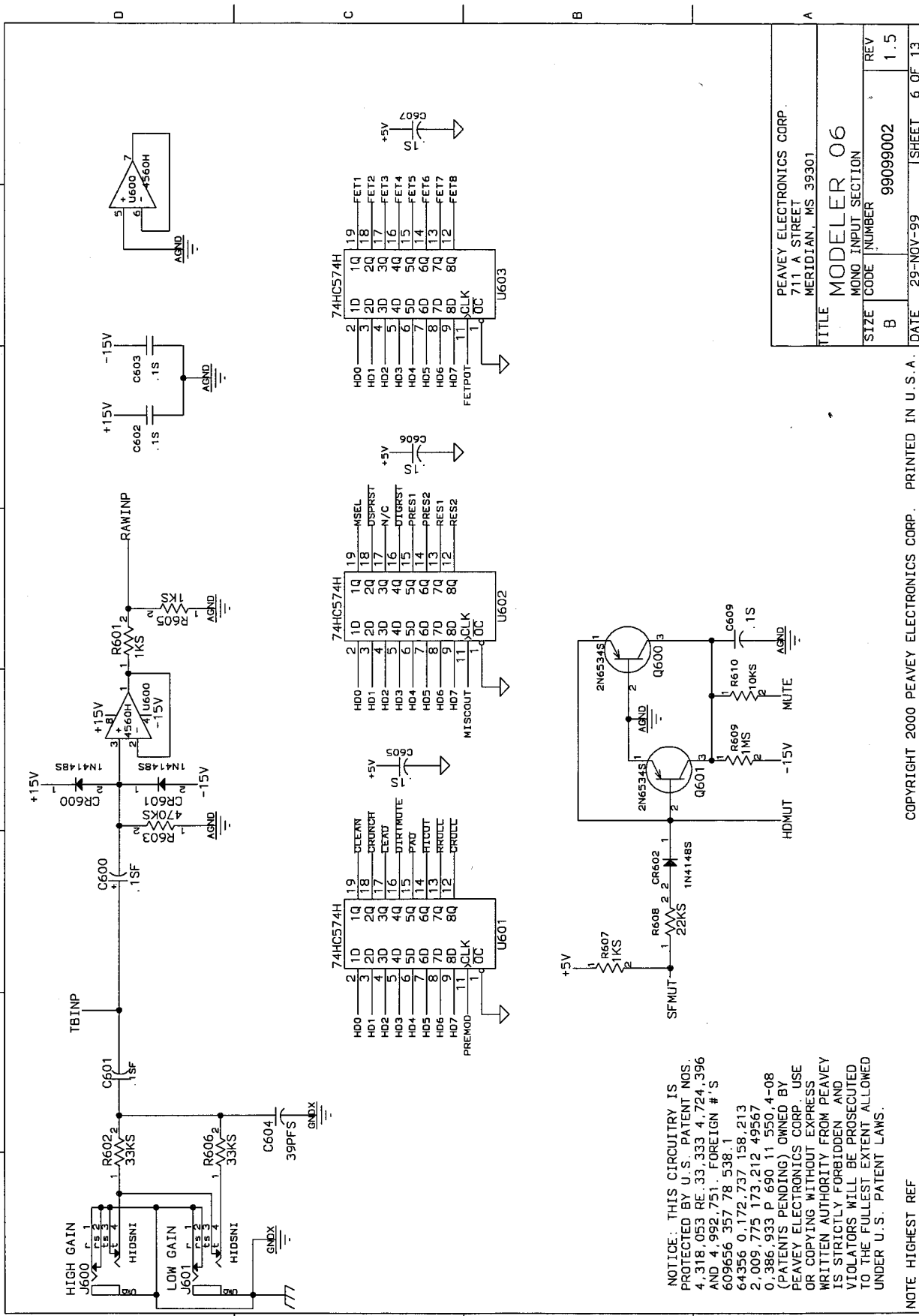
DATE 9-MAR-00 SHEET 4 OF 13

1 2 3 4 5 6 7 8

A B C D

NOTE HIGHEST REF R94

COPYRIGHT 2000 PEAVEY ELECTRONICS CORP. PRINTED IN U.S.A.



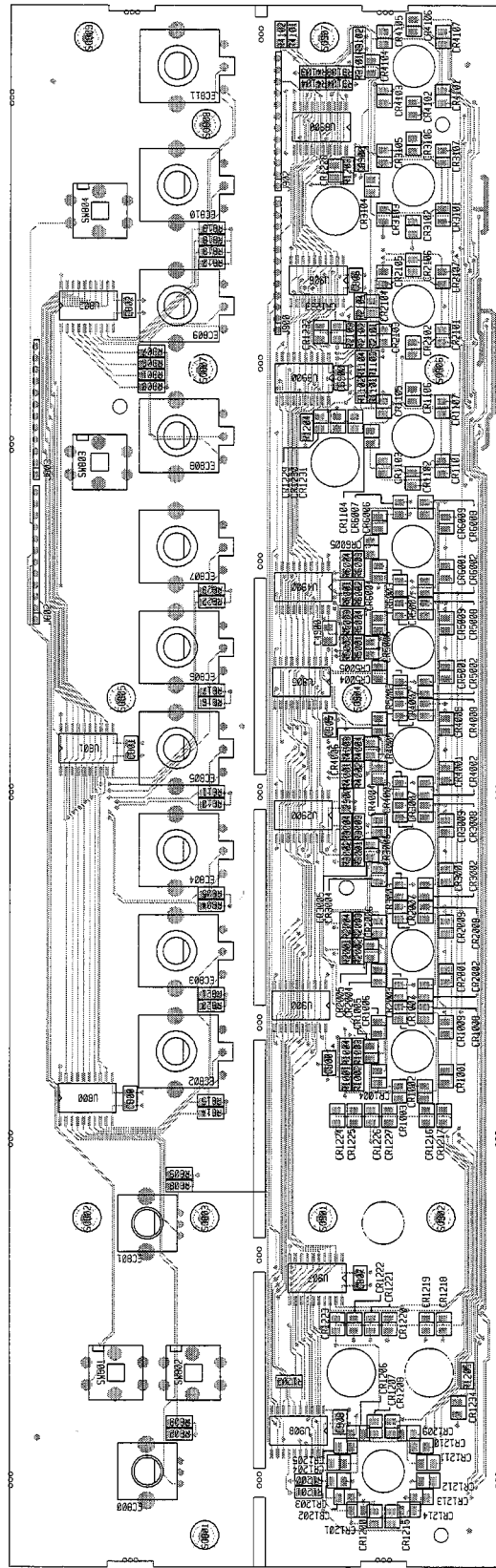
PEAVEY ELECTRONICS CORP. 711 A STREET MERIDIAN, MS 39301	
TITLE	MODELER 06
SIZE	MONO INPUT SECTION
CODE	NUMBER
REV	1.5
DATE	29-NOV-99
SHEET	6 OF 13

NOTICE: THIS CIRCUITRY IS PROTECTED BY U.S. PATENT NOS. 4,318,053 RE.33,333 4,724,396 AND 4,992,751. FOREIGN #'S 609656 357 78 538.1 64356 0.172.737 158.213 2,009,775 173.212 49567 0,386,933 P 690 11 550.4-08 (PATENTS PENDING) OWNED BY PEAVEY ELECTRONICS CORP. USE OR COPYING WITHOUT EXPRESS WRITTEN AUTHORITY FROM PEAVEY IS STRICTLY FORBIDDEN AND VIOLATORS WILL BE PROSECUTED TO THE FULLEST EXTENT ALLOWED UNDER U.S. PATENT LAWS.

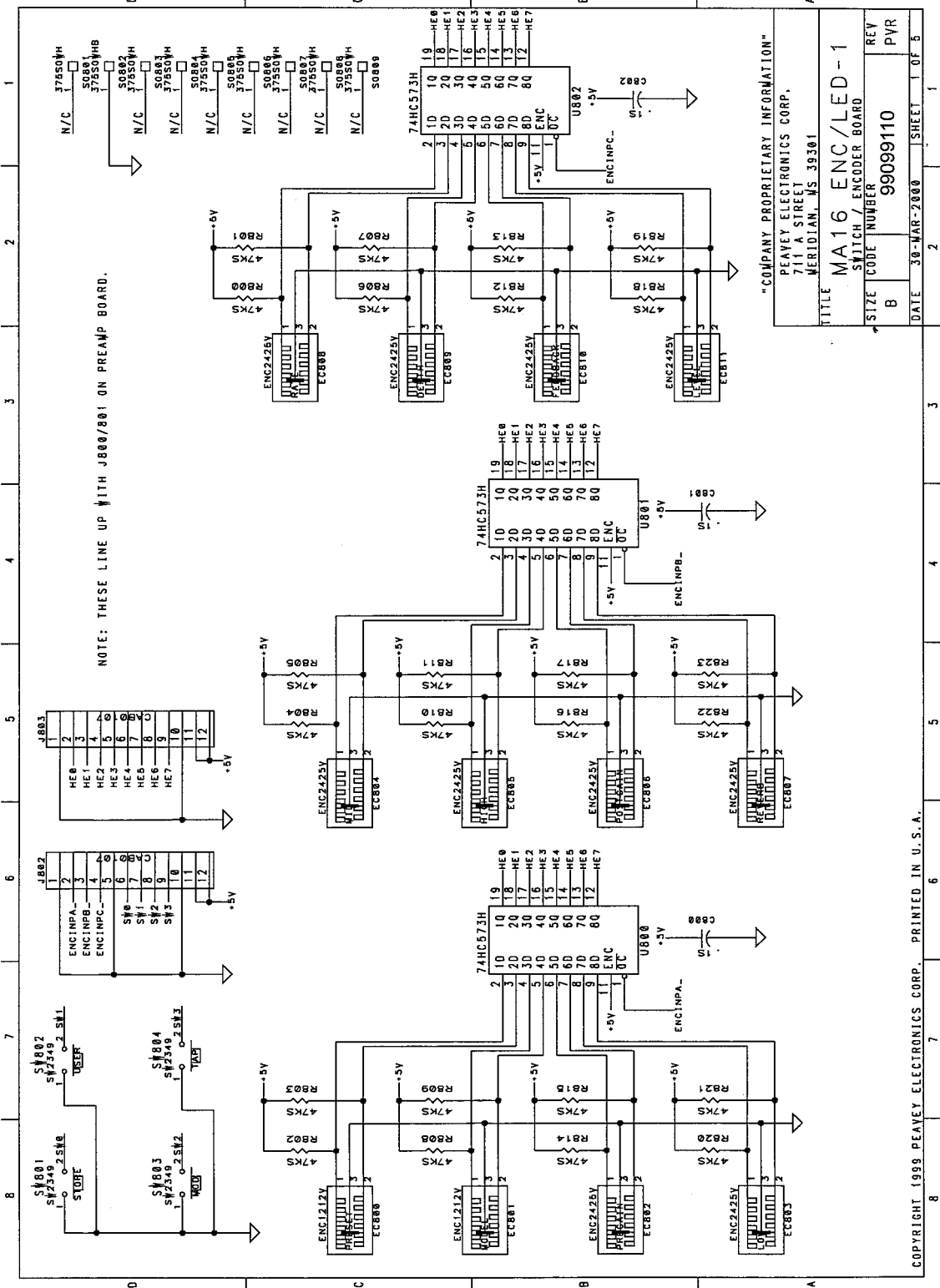
NOTE HIGHEST REF

COPYRIGHT 2000 PEAVEY ELECTRONICS CORP. PRINTED IN U.S.A.

R4102
1 120S 120 70200048 120--1/8w--5%--SMT 1206
R4103
1 180S 180 70200015 180--1/8w--5%--smt
R4104
1 120S 120 70200048 120--1/8w--5%--SMT 1206
R5001
1 180S 180 70200015 180--1/8w--5%--smt
R5002
1 120S 120 70200048 120--1/8w--5%--SMT 1206
R5003
1 180S 180 70200015 180--1/8w--5%--smt
R5004
1 120S 120 70200048 120--1/8w--5%--SMT 1206
R6001
1 180S 180 70200015 180--1/8w--5%--smt
R6002
1 120S 120 70200048 120--1/8w--5%--SMT 1206
R6003
1 180S 180 70200015 180--1/8w--5%--smt
R6004
-1 375SOWH 70900782 70900782 SPCR,R,C7X3/8,SW,AL,ST
SO801
SO802
1 375SOWHB 70901893 70901893 .375 X .250 HOLLOW SWAGE SPACER - BRASS
SO805, SO805, SO807,
SO806, SO809
5 375SOWH 70900782 70900782 SPCR,R,C7X3/8,SW,AL,ST
SO805, SO805, SO807,
SO806, SO809
4 125SOWH 70901836 70901836 SPCR, 1/8 (#4)NON-THREADED KNURLID, .187
SWAGE A
SO901, SO902, SO904, SO906
1 125SOWHB 70901892 70901892 .125 X .250 HOLLOW SWAGE SPACER - BRASS
SO907
4 SW2349 SW2349 71322349 SWITCH, SPST MOM. PUSH
SW801, SW802, SW803, SW804
3 74HC573H 74HC573 70418041 74HC573 (SOL20) SMT
U800, U801, U802
9 74HC574H 74HC574 70418024 74HC574 (SOL-20) SMT
U900, U905, U906, U907, U908, U2900,
U4900, U6900, U8900



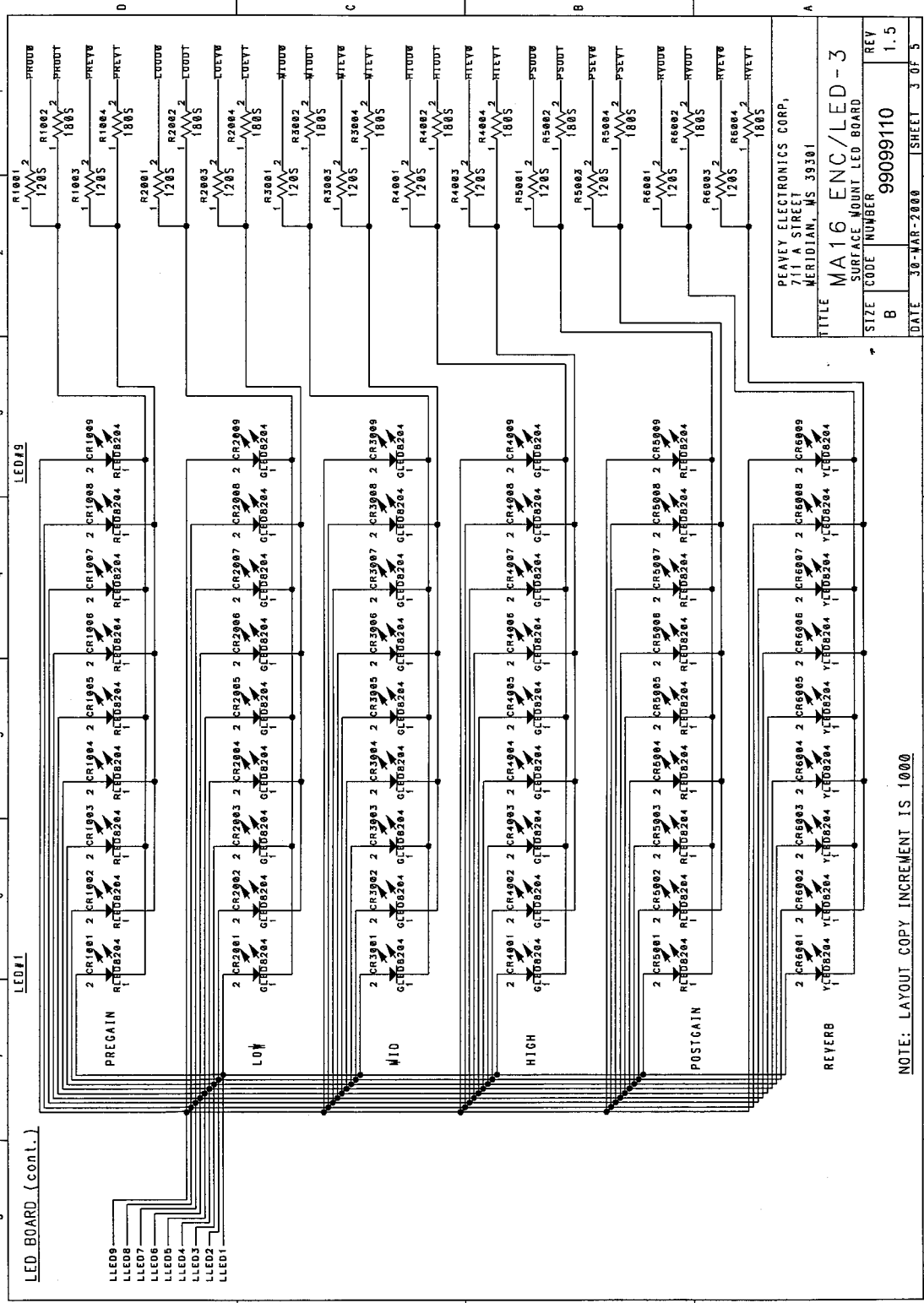
Transformer Led



"COMPANY PROPRIETARY INFORMATION"
 PEAVEY ELECTRONICS CORP.
 711 A STREET
 MERIDIAN, MS 39301

TITLE: MA16 ENC/LED-1
 SWITCH/ENCODER BOARD
 SIZE CODE NUMBER: 99099110
 REV: PYR

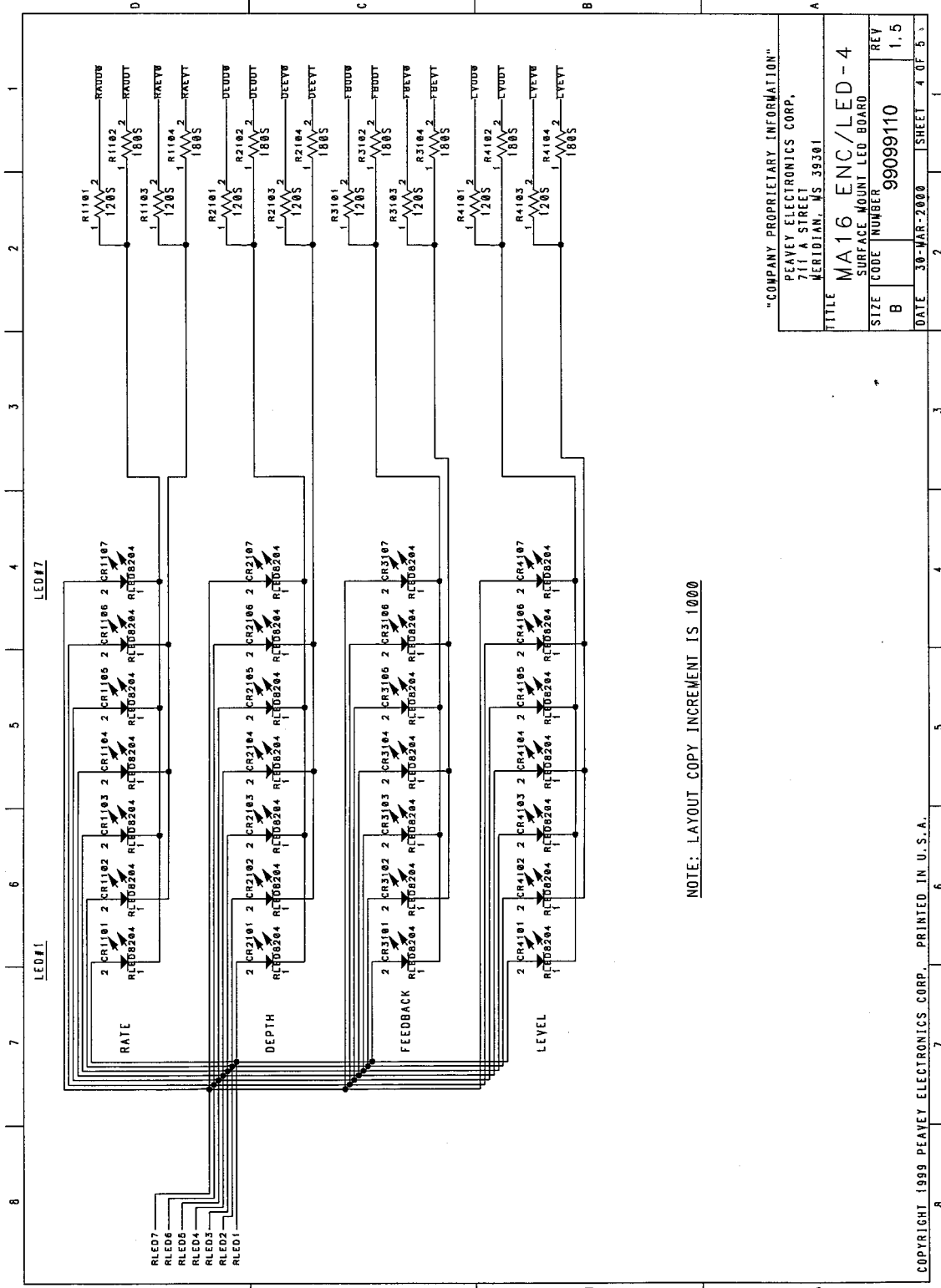
DATE: 30-MAR-2000 SHEET 1 OF 5



LED BOARD (cont.)

PEAVEY ELECTRONICS CORP, 711 A STREET MERIDIAN, MS 39301	
TITLE MA16 ENC/LED-3	
SIZE B	CODE NUMBER 9909110
DATE 30-MAR-2000	SHEET 3 OF 5
REV 1.5	

NOTE: LAYOUT COPY INCREMENT IS 1000



"COMPANY PROPRIETARY INFORMATION"

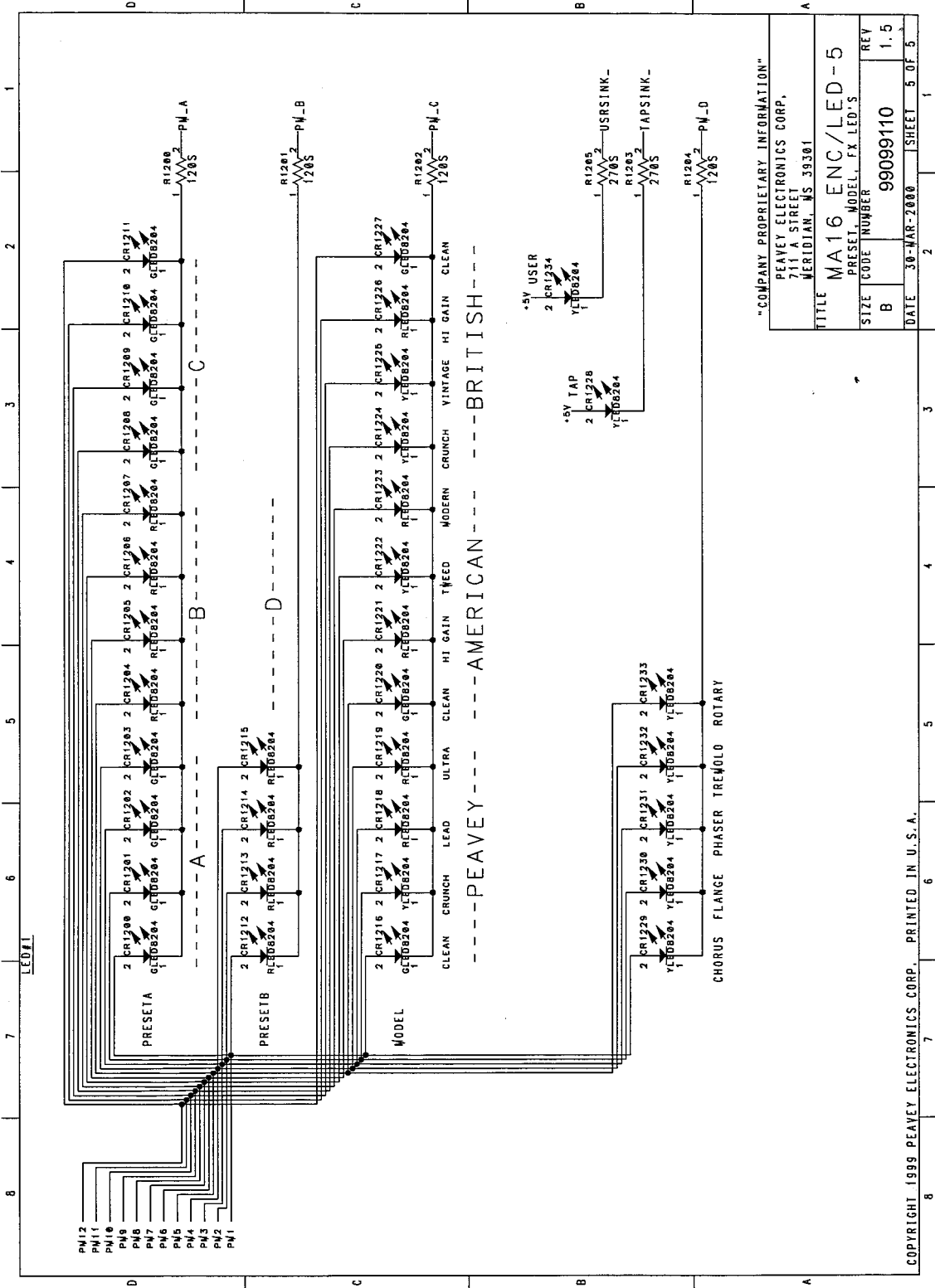
PEAVEY ELECTRONICS CORP.
711 A STREET
MERIDIAN, MS 39301

TITLE MA16 ENC/LED-4
SURFACE MOUNT LED BOARD

SIZE CODE NUMBER B
REV 99099110
1.5

DATE 30-MAR-2000 SHEET 4 OF 5

NOTE: LAYOUT COPY INCREMENT IS 1000



"COMPANY PROPRIETARY INFORMATION"

PEAVEY ELECTRONICS CORP. 711 A STREET MERIDIAN, MS 39301	
TITLE MA16 ENC/LED-5	
PRESET MODEL, FX LED'S	REV
SIZE CODE NUMBER B 99099110	1.5
DATE 30-MAR-2000	SHEET 5 OF 5

COPYRIGHT 1999 PEAVEY ELECTRONICS CORP. PRINTED IN U.S.A.

CR28
70464148 IN4148 75V 10MA SILICON DIODE

40 1N4148 4148
CR1, CR2, CR101, CR102, CR103, CR104,
CR105, CR106, CR107, CR108, CR109,
CR110, CR111, CR112, CR113, CR114,
CR116, CR118, CR119, CR130, CR133,
CR201, CR202, CR203, CR204, CR205,
CR206, CR207, CR208, CR209, CR210,
CR211, CR212, CR213, CR214, CR216,
CR218, CR219, CR230, CR233
70440102 SZG40102 15V 5% ZENER DIODE
2 1N4744 4744
CR27, CR29
70240020 2.2K-1/4W-5%---CF-T&R
R136, R142, R170, R236, R242, R270
R176, R276
70240021 2.7K-1/4W-5%---CF-T&R
R49, R121, R144, R221, R244
70240022 2.2K-1/4W-5%---50VDC---EL-T&A
C122, C222
70240029 2.2K-1/4W-5%---CF-T&R
R104, R111, R124, R127, R152, R153,
R154, R156, R204, R211, R224, R227
70320181 2.2MF-20%---50VDC---EL-T&A
C43, C45, C51, C117, C120, C123, C171,
C217, C220, C223, C271
70240121 25.5K 1% 1/4W MF T&R
R173, R273
70240022 3.3K-1/4W-5%---CF-T&R
R150, R151, R250, R251
70340052 39PF-----50VDC---T/C---T&R
C103, C110, C116, C121, C203, C210,
C216, C221
70240023 4.7K-1/4W-5%---CF-T&R
R101, R108, R115, R116, R122, R137,
R158, R171, R172, R201, R208, R215,
R216, R222, R237, R271, R272

2 1W5 1W5 70250638 1-5W-10%---WW---AXL
R139, R239
70330114 0.22 MF 5% 100V STCK FILM T&A
C113, C213
70330159 .047 MF 63V STCK FILM T&A
C141, C147, C157, C165, C166, C172,
C241, C247, C257, C265, C266, C272
70240061 1.3K-1/4W-5%---CF-T&R
R147, R162, R247, R262
70241078 1.82K-1/4W-1%---CF-T&R
R161, R261
70320186 1000MF-----20%---55VDC---EL-T&A
C31, C32, C33, C34, C38, C39, C40, C46,
C48, C49, C50, C52, C56, C57, C58, C59,
C60, C61
70240034 100K-1/4W-5%---CF-T&R
R105, R107, R109, R110, R112, R117,
R118, R125, R129, R135, R205, R207,
R209, R210, R212, R217, R218, R225,
R229, R235
70340054 100PF-----10%---50VDC---T/C---T&R
C108, C153, C155, C208, C233, C255
70240025 10K-1/4W-5%---CF-T&R
R120, R126, R130, R143, R146, R149,
R157, R220, R226, R230, R243, R246, R249
70240057 12K-1/4W-5%---CF-T&R
R159, R259
70240027 15K-1/4W-5%---CF-T&R
R140, R240
70240017 1K-----1/4W-5%---CF-T&R
R132, R138, R232, R238
70240039 1M-----1/4W-5%---CF-T&R
R134, R234
70464003 1N4003 200V SILICON DIODE
CR3, CR4, CR20, CR21, CR22, CR23, CR25,

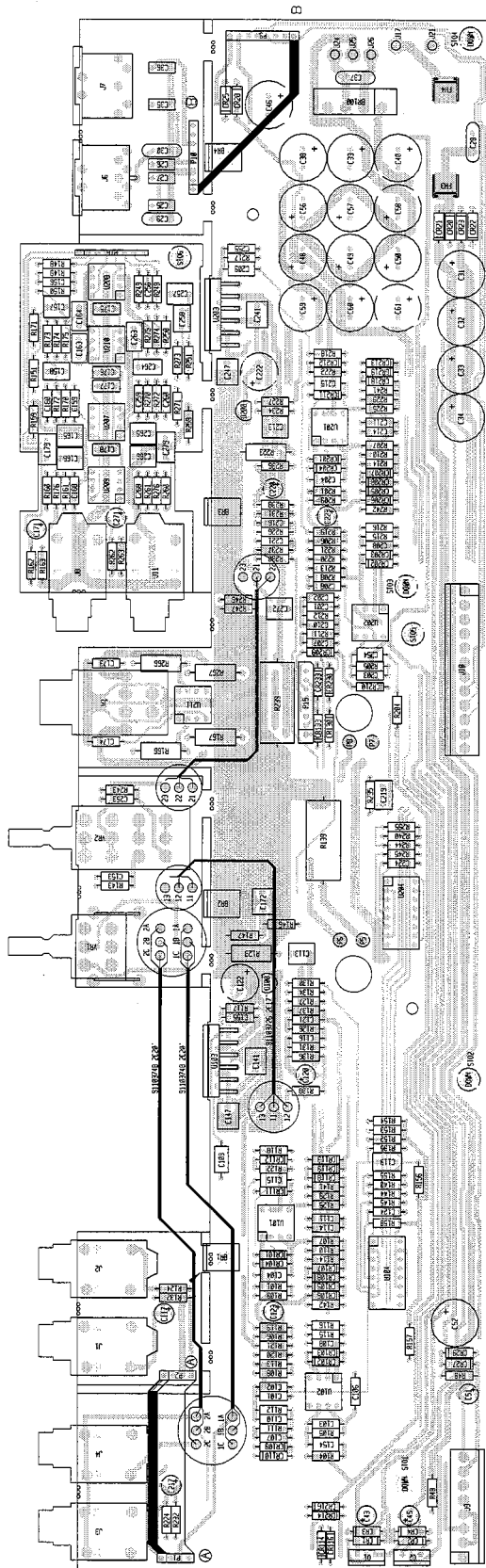
2 18 47SF63 .47SF63
2 22SF2 22SF2
12 47SF63 .47SF63
4 1.3K 1.3K
2 1.82K 1.82K
18 100R35 100R35
20 100K 100K
6 100PF 100PF
13 10K 10K
2 12K 12K
2 15K 15K
4 1K 1K
2 1M 1M
8 1N4003 1N4003

BOARD NAME: TR212PWR REPORT DATE: 17OCT00
ASSEMBLY LEVEL NUMBER: 99053140 DESIGNER: JAMES HUGHES
PROJECT NUMBER: P0000032
CBDS PART DESCRIPTION AND
PART NUMBER DEVICE DESIGNATIONS *****
** QTY. NAME VALUE NUMBER DEVICE DESIGNATIONS *****

1 72100614 72100614 PCB
5 .001M .001M 70330156 .001MF-5%-50VDC-MY-T&A
C25, C26, C27, C35, C36
6 .0068 .0068 70340008 .0068MF-10%---50VDC---MON---T&R
C156, C159, C160, C256, C259, C260
4 .018M .018M 70330126 .018M 5% 50vdc my T&A
C163, C164, C263, C264
4 .01CD .01CD 70320248 .01MF-20%---1000VDC---CD-T&A
C28, C29, C30, C37
6 .022 .022 70340012 .022MF-10%---50VDC---MON---T&R
C107, C124, C168, C207, C224, C268
2 .047 .047 70340017 .047MF-10%---50VDC---MON---T&R
C106, C206
2 .047M .047M 70330136 .047M 5% 50vdc my T&A
C119, C219
2 .068M .068M 70330124 .068M 5% 50vdc my T&A
C179, C279
10 .1 .1 70340100 .1MF-----80-20%---50VDC---AXL---T&R
C101, C102, C111, C114, C173, C174,
C201, C202, C211, C214
2 .12M .12M 70330133 .12M 5% 50vdc my T&A
C158, C258
8 .1P10 .1P10 70340101 .1MF-----10%---50VDC---MON---T&R
C104, C109, C115, C154, C204, C209,
C215, C254
4 .15F .15F 70330113 0.10 MED 10% 100V STCK FILM T&A
C175, C176, C177, C178

2 4.7W1 4.7W1 70210015 4.7--1W---5%---MO--T&R	STOS	1 CAB072 CAB072 70600072 8C-1" VERT RIBBON CABLE ASSY 4"	P15	1 WJ8BL12 WJ8BL12 91014127 BL-18G-12"-CPT-205SPD
R123, R223	P16	2 CLP1183 CLP1183 70901183 FUSECLIP, PC.MT.-T&A	P7	
4 437STW 70901891 70901891 SPCR, 437(04), 187 SW, AL	PH3, FH4	2 DG211 DG211 70420211 DG211 C.I.C.	P5	1 WJ8BL7SP WJ8BL7SP 91014074 BL-18G-7"-S205-WJ18
STO1, STO2, STO3, STO4	U104, U204	1 DIN5PC 71466140 71466140 CONN 5PI180 DEG. R/A PCMNT DIN	P8	1 WJ8YL12 WJ8YL12 91015128 YL-18G-12"-CPT-205SPD
9 4560 4560 70414560 4560 DUAL OP AMP IC	J7	1 DIN8 71466147 71466147 CONN 8 POSITION R/A PCMNT DIN	P6	1 WJ8YL7SP WJ8YL7SP 91015078 Y-18G-7"-S205--WJ18
U101, U102, U201, U202, U207, U208, U209, U210, U211	J6	3 FMPU 73711811 73711811 M118-171 C.B. FEMALE MOLEX PIN		
6 470 70240015 470--1/4W--5%---CF--T&R	J17, J21, J25	2 J174 J174 70460174 J-174 30V TO-92 P-CHEM FET T&A		
R155, R160, R163, R255, R260, R263	Q100, Q200	1 KBUE61 70400605 70400605 6A, 600V, INLINE DIODE BRIDGE RECTIFIER		
1 47FP 47FP 70240090 47FP--1/4W--5%---FP--T&R	BR100	4 LBRKTI 71500238 71500238 #74 L-BRACKET W/4-40 HOLE		
10 47K 47K 70240031 47K--1/4W--5%---CF--T&R	BR1, BR2, BR3, BR4	2 LM3886 LM3886 70403886 68W AUDIO POWER AMP W/MUTE		
R106, R113, R114, R119, R141, R206, R213, R214, R219, R241	U103, U203	2 MAMP 73711812 73711812 R93-12 PN C.B. MALE MOLEX PIN		
4 47W1 47W1 70210011 47---1W---5%---MO--T&R	J24, J26	1 POT0639 71190539 71190539 50KL DUAL MIN VPC W/BRKT		
R166, R167, R246, R247	VR1	1 POT0543 71190543 71190543 10KX2/10KX2 MIN VPC W/BRKT		
2 4PRC42 4PRC42 70600034 4C PRE-TIN .100 CTR 4" JUMPER (SPLIT VERSION)	VR2	6 RAMNG322 71466322 71466322 JACK MONO R/A 1/4" 6.5MM NINS		
1 508SOWH 70900780 70900780 SPCN, 1/2, R(HW), 187SW, AL	J1, J2, J3, J4, J6, J11	1 RAS16122 RAS16122 71466122 S-G4116 INS. STEREO W/ ISOLATED SW.		
P1, P2	J5	1 SPX12 SPX12 XXXXXXXXXX 12 EACH OF STAKE PINS		
STO5	J10	1 SPX8 SPX8 XXXXXXXXXX 8 EACH OF STAKE PINS		
2 51.1KP1 51.1KP1 70240045 51.1K-1/4W--1%---MF--T&R	J9	1 TCONN8 73716721 73716721 8C-WTB-HDR-SHRD-.098"-TIN		
R175, R275				
4 6.8K 6.8K 70240024 6.8K--1/4W--5%---CF--T&R				
R145, R148, R245, R248				
2 68K 68K 70240032 68K--1/4W--5%---CF--T&R				
R131, R231				
2 698P1 698P1 70240086 698 OHM 1% 1/4W MF T&R				
R174, R274				
1 7815FVRT 7815FVRT 70400318 7815 15V 1A POS TO-220 RG VERT MNT INS				
Q1				
1 7915FVRT 7915FVRT 70400319 7915 15V 1A NEG TO 220 RG VERT MNT INS				
Q2				
2 8PRC42 8PRC42 70600033 8C PRE-TIN .100 CTR 4" JUMPER (SPLIT VERSION)				
P9, P10				
1 937SOW 70900786 70900786 SPACER, 15/16, R(#4), 187 SWAGE ALUM.				

* END OF BILL OF MATERIALS REPORT *



transformer 212 power

BILL OF MATERIALS REPORT

BOARD NAME: TTPRIMARY REPORT DATE: 24NOV99
ASSEMBLY LEVEL NUMBER: 99053030 DESIGNER: TIM TAYLOR/JAMES
PROJECT NUMBER: P9800133

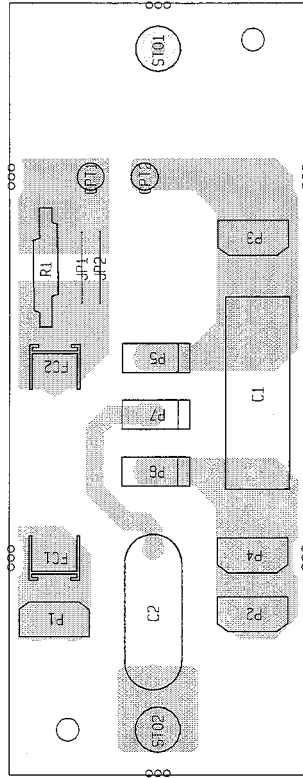
CDS PART DESCRIPTION AND
QTY, NAME VALUE NUMBER DEVICE DESIGNATIONS ***

1 98853030 98853030 PCB
1 .01DVLNP .01DVLNP 70320104 .01MFD 125VDC DVL MYLAR +0.20%
C2
1 .1X2 70320298 70320298 .1MF 250VAC X2 20%
C1
1 15MMSOB 70901889 70901889 SPACER, 15MM, .187 BRASS
STO2
1 15MSOW 70901837 70901837 SPACER, 15mm-(#4), .187 swage alum.
STO1
1 CL30 CL30 70240202 INRUSH CURRENT LIMITER
R1
2 CLP183 CLP183 70901183 FUSECLIP, FC, MT, T&A
FCL, FC2
2 JMP JMP 70600005 22 GA. JUMPER WIRE T&R
JP1, JP2
4 SPD 73716194 73716194 .250 FC MNT SPADE .093 PCB
P1, P2, P3, P4
3 SPXIU SPXIU 73717003 1 STAKE PIN
P5, P6, P7
2 W8BK6SI W8BK6SI 91090305 BK-18G-6"-CPT-SI187
CPT1, CPT2

* END OF BILL OF MATERIALS REPORT *

PARTS NOT PLACED IN 99053030	R1
------------------------------------	----

PARTS NOT PLACED IN 99053031	C2, R1 P5, P6, P7
------------------------------------	----------------------

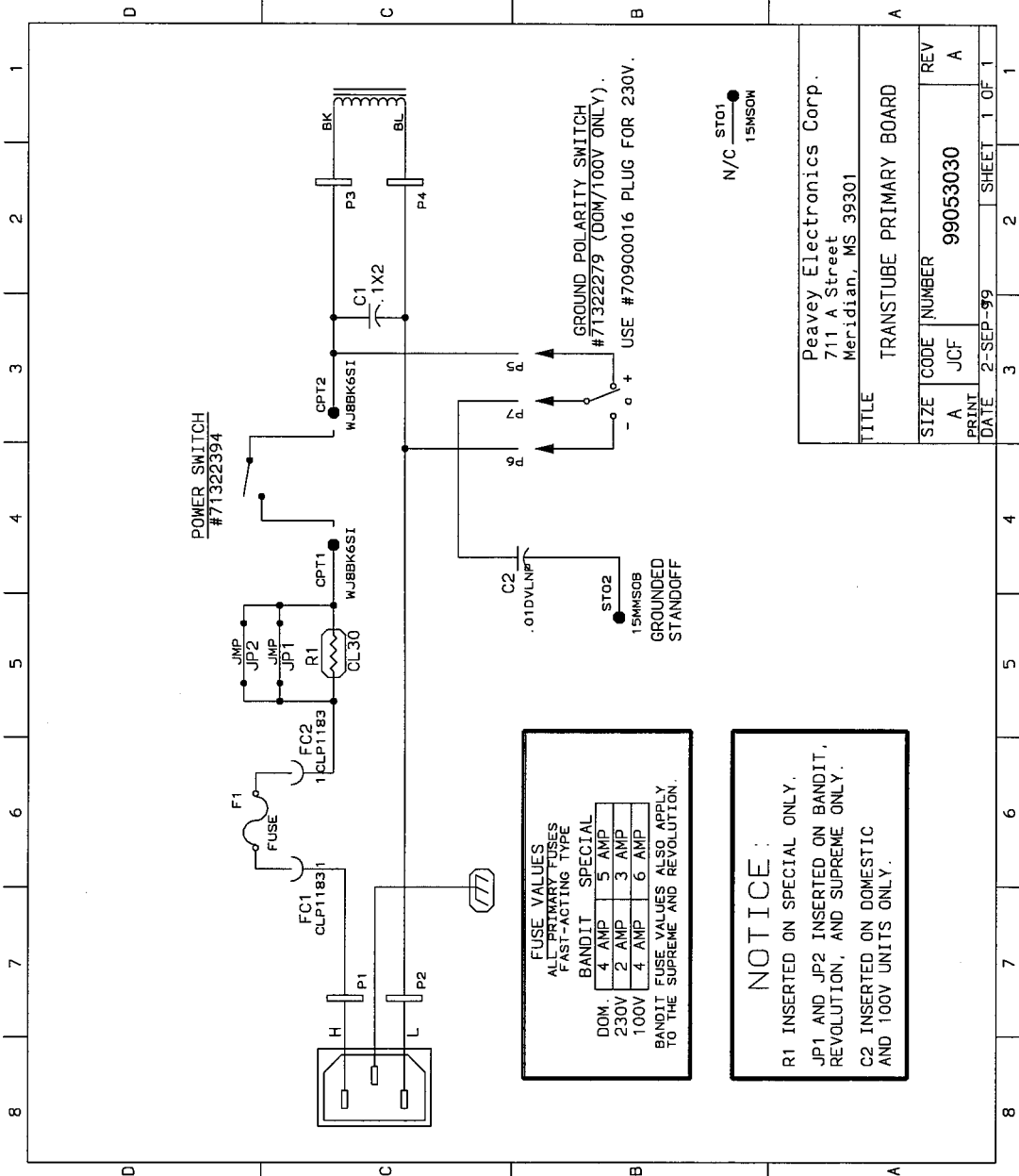


TRANSTUBE PRIMARY

PARTS NOT PLACED IN 99053032	JP1, JP2
------------------------------------	----------

PARTS NOT PLACED IN 99053033	C2, JP1, JP2 P5, P6, P7
------------------------------------	----------------------------

ASS'Y P/N	99053030	BANDIT / REV DOM. PRIMARY
	99053031	BANDIT / REV EXP. PRIMARY
	99053032	SPECIAL DOM. PRIMARY
	99053033	SPECIAL EXP. PRIMARY



POWER SWITCH
#71322394

GROUND POLARITY SWITCH
#71322279 (DOM/100V ONLY).
USE #70900016 PLUG FOR 230V.

FUSE VALUES
ALL PRIMARY FUSES
FAST-ACTING TYPE

DOM.	BANDIT	SPECIAL
4 AMP	5 AMP	
2 AMP	3 AMP	
100V	4 AMP	6 AMP

BANDIT FUSE VALUES ALSO APPLY
TO THE SUPREME AND REVOLUTION.

NOTICE:
R1 INSERTED ON SPECIAL ONLY.
JP1 AND JP2 INSERTED ON BANDIT,
REVOLUTION, AND SUPREME ONLY.
C2 INSERTED ON DOMESTIC
AND 100V UNITS ONLY.

N/C STO1
15MS08

Peavey Electronics Corp. 711 A Street Meridian, MS 39301	
TITLE	TRANSTUBE PRIMARY BOARD
SIZE	CODE NUMBER
A	JCF
PRINT	99053030
DATE	2-SEP-99
	SHEET 1 OF 1

BILL OF MATERIALS REPORT

BOARD NAME: TTPRIMARY REPORT DATE: 24NOV99
 ASSEMBLY LEVEL NUMBER: 99053030 DESIGNER: TIM TAYLOR/AMIES
 HUGHES PROJECT NUMBER: P9800153

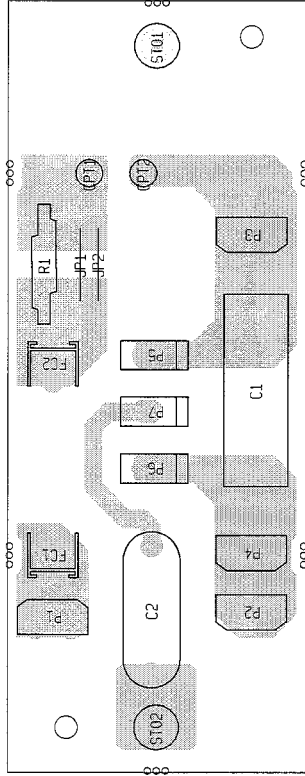
 ** QTY NAME VALUE NUMBER DEVICE DESIGNATIONS *****

- 1 98853030 98853030 PCB
- 1 .01DVLNP .01DVLNP 70320104 .01 MFD 125VDC DVL.MYLAR +0-20%
- C2
- 1 .1X2 70320298 70320298 .1MF 250VAC X2 20%
- C1
- 1 15MMSOB 70901889 70901889 SPACER, 15MM, .187 BRASS
- STO2
- 1 15MSOW 70901837 70901837 SPACER, 15mm-r(#4), 187 swage alum.
- STO1
- 1 CL30 CL30 70240202 INRUSH CURRENT LIMITER
- R1
- 2 CLP183 CLP183 70901183 FUSECLIP, PC.MT.- T&A
- FC1, FC2
- 2 JMP JMP 70600005 22 GA. JUMPER WIRE T&R
- JP1, JP2
- 4 SPD 73716194 73716194 .250 PC MNT SPADE .093 PCB
- P1, P2, P3, P4
- 3 SPXIU SPXIU 73717003 1 STAKE PIN
- P5, P6, P7
- 2 W18BK6SI W18BK6SI 91090305 BK-18G-6"-CPT-S187
- CPT1, CPT2

 * END OF BILL OF MATERIALS REPORT *

PARTS NOT PLACED IN 99053030	R1
------------------------------------	----

PARTS NOT PLACED IN 99053031	C2, R1 P5, P6, P7
------------------------------------	----------------------

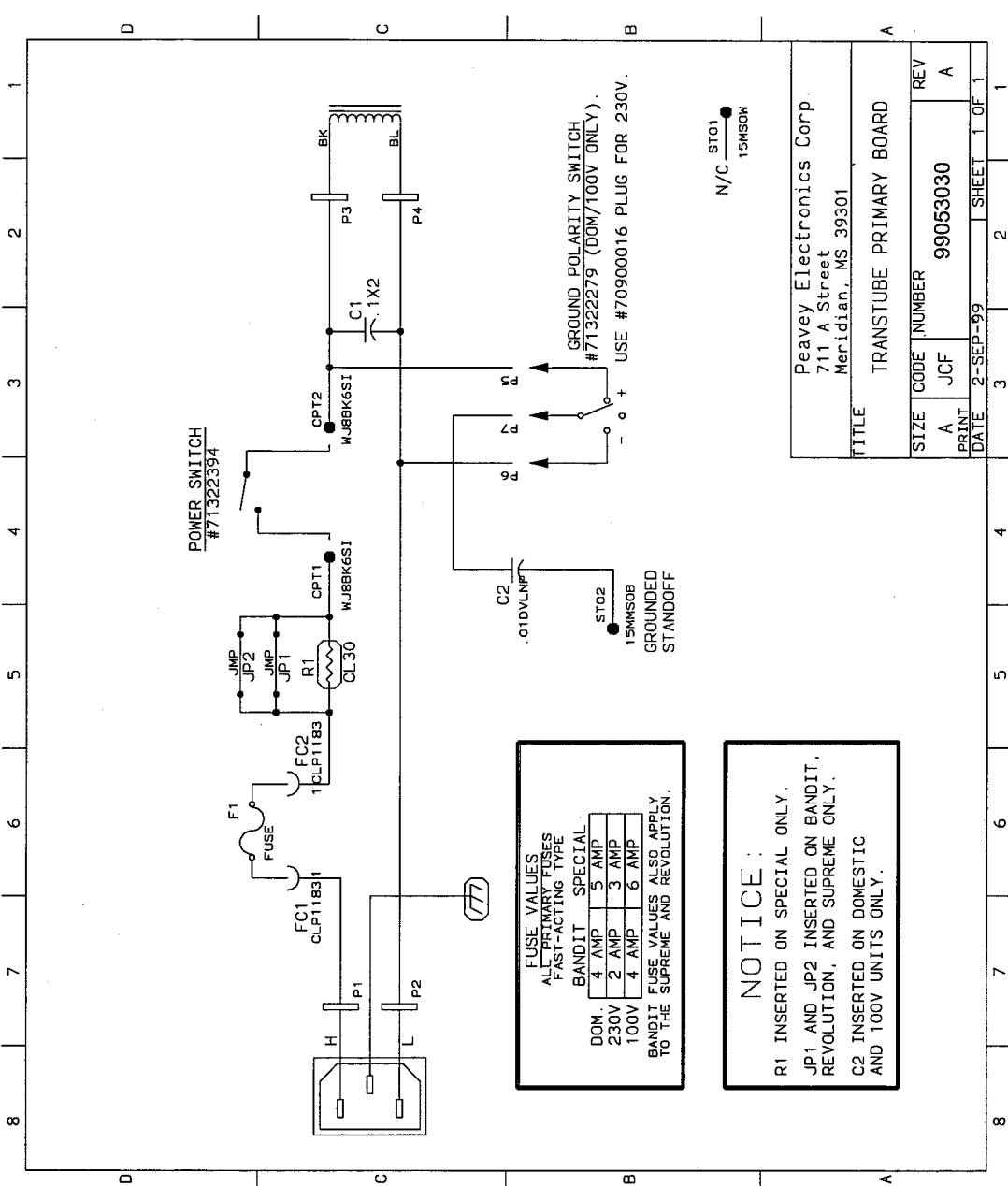


TRANSTUBE PRIMARY

PARTS NOT PLACED IN 99053032	JP1, JP2
------------------------------------	----------

PARTS NOT PLACED IN 99053033	C2, JP1, JP2 P5, P6, P7
------------------------------------	----------------------------

ASS'Y P/N	BANDIT / REV DOM, PRIMARY	99053030	BANDIT / REV EXP, PRIMARY	99053031	SPECIAL DOM, PRIMARY	99053032	SPECIAL EXP, PRIMARY	99053033
-----------	---------------------------	----------	---------------------------	----------	----------------------	----------	----------------------	----------



Peavey Electronics Corp. 711 A Street Meridian, MS 39301	
TITLE TRANSTUBE PRIMARY BOARD	
SIZE A	CODE JCF
NUMBER 99053030	REV A
PRINT DATE	2-SEP-99
SHEET	1 OF 1

N/C ST01
15MS0B