

MESA/BOOGIE[®]

F-30

F 30

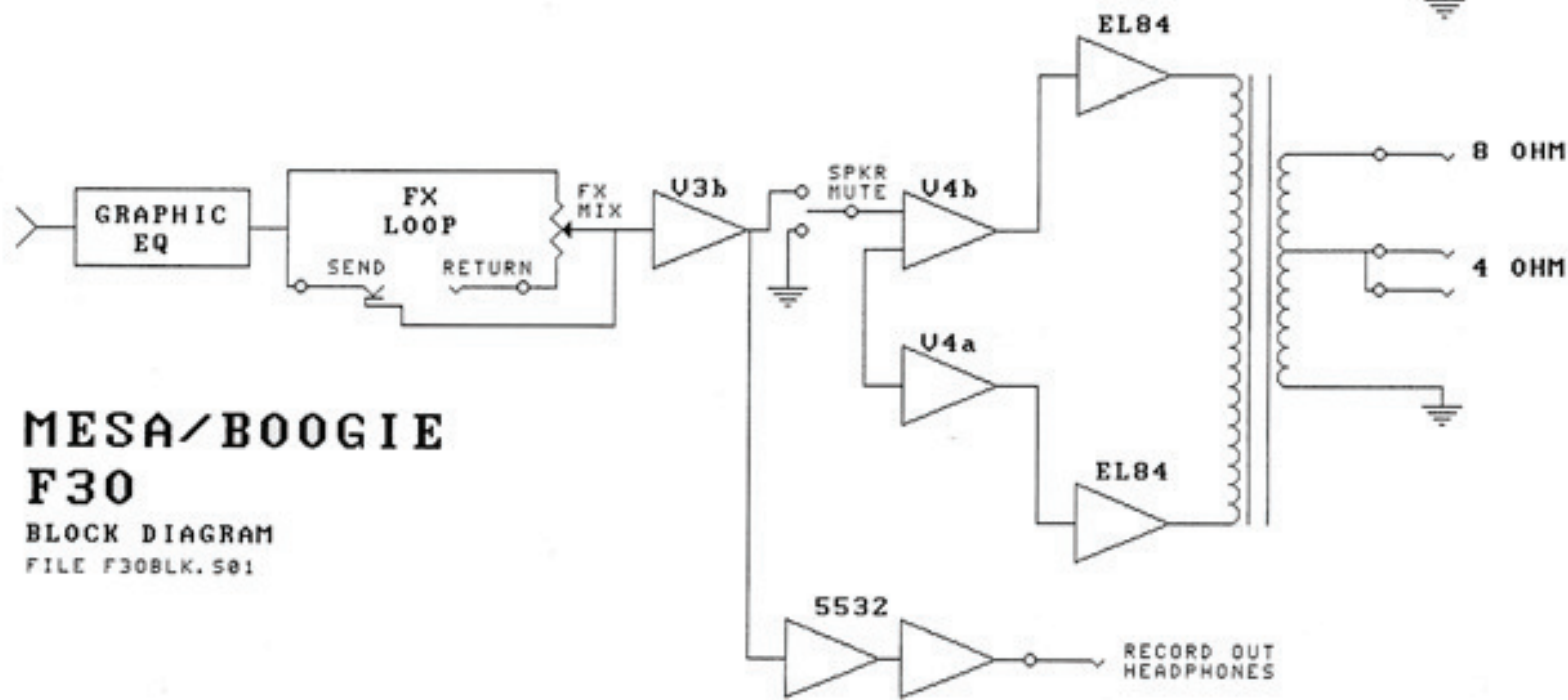
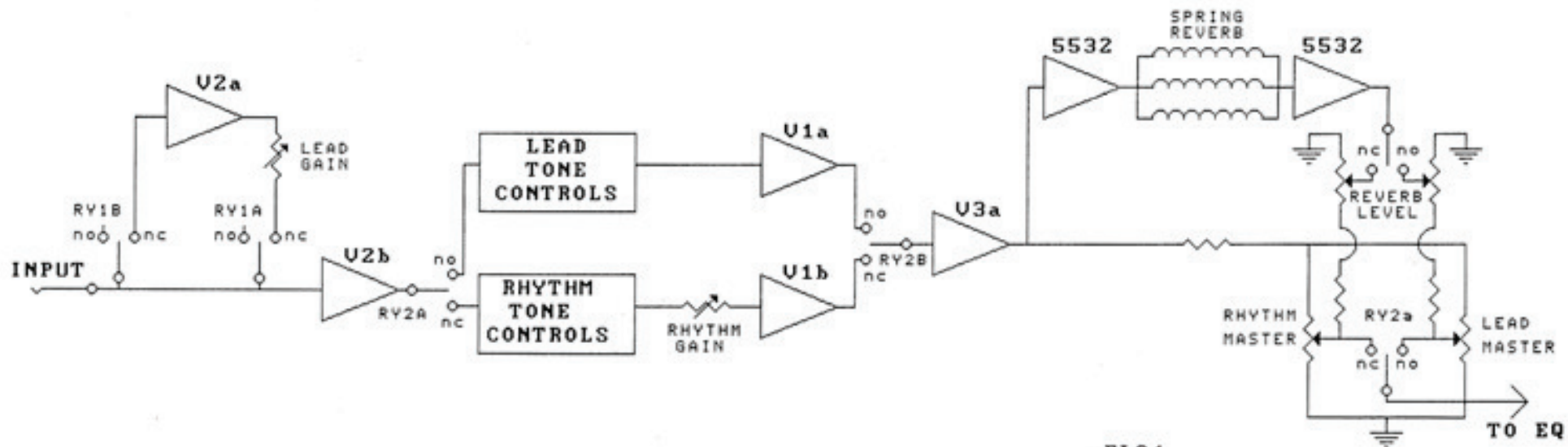
FRONT PANEL

CHANNEL 1		
Control Function	Type	Mesa Part#
Gain	Pot	591842
	Knob	408115
Treble	Pot	593148
	Knob	408115
Middle	Pot	593736
	Knob	408115
Bass	Pot	593148
	Knob	408115
Reverb	Pot	593150
	Knob	408115
Master	Pot	592738
	Knob	408115

CHANNEL 2		
Control Function	Type	Mesa Part#
Gain	Pot	593739
	Knob	408115
Treble	Pot	592738
	Knob	408115
Middle	Pot	593737
	Knob	408115
Bass	Pot	593739
	Knob	408115
Reverb	Pot	593150
	Knob	408115
Master	Pot	592794
	Knob	408115

MISC PARTS		
Control Function	Type	Mesa Part#
Input	Jack	610120
Channel Select	Switch	607303
Pilot Light	Light	703047
	Lens	703782
	Light Holder	703850
Standby	Switch	601073
Power	Switch	601073

REAR PANEL			
MISC PARTS			
Control Function	Type	Mesa Part#	
Fuse Holder	Domestic	Cap/Holder	790347
		Fuse	790200
	Export	Cap/Holder	790346
		Fuse	795101
Record/Phones	Jack	618100	
FX Loop	Mix Level	Pot	593737
		Knob	408004
	Send	Jack	618100
	Return	Jack	618100
Speaker Mute	Switch	600115	
Speaker Outs(3)	Jack	618100	
AC	Jack	613713	
Footswitch	Jack	613615	



MESA/BOOGIE F30

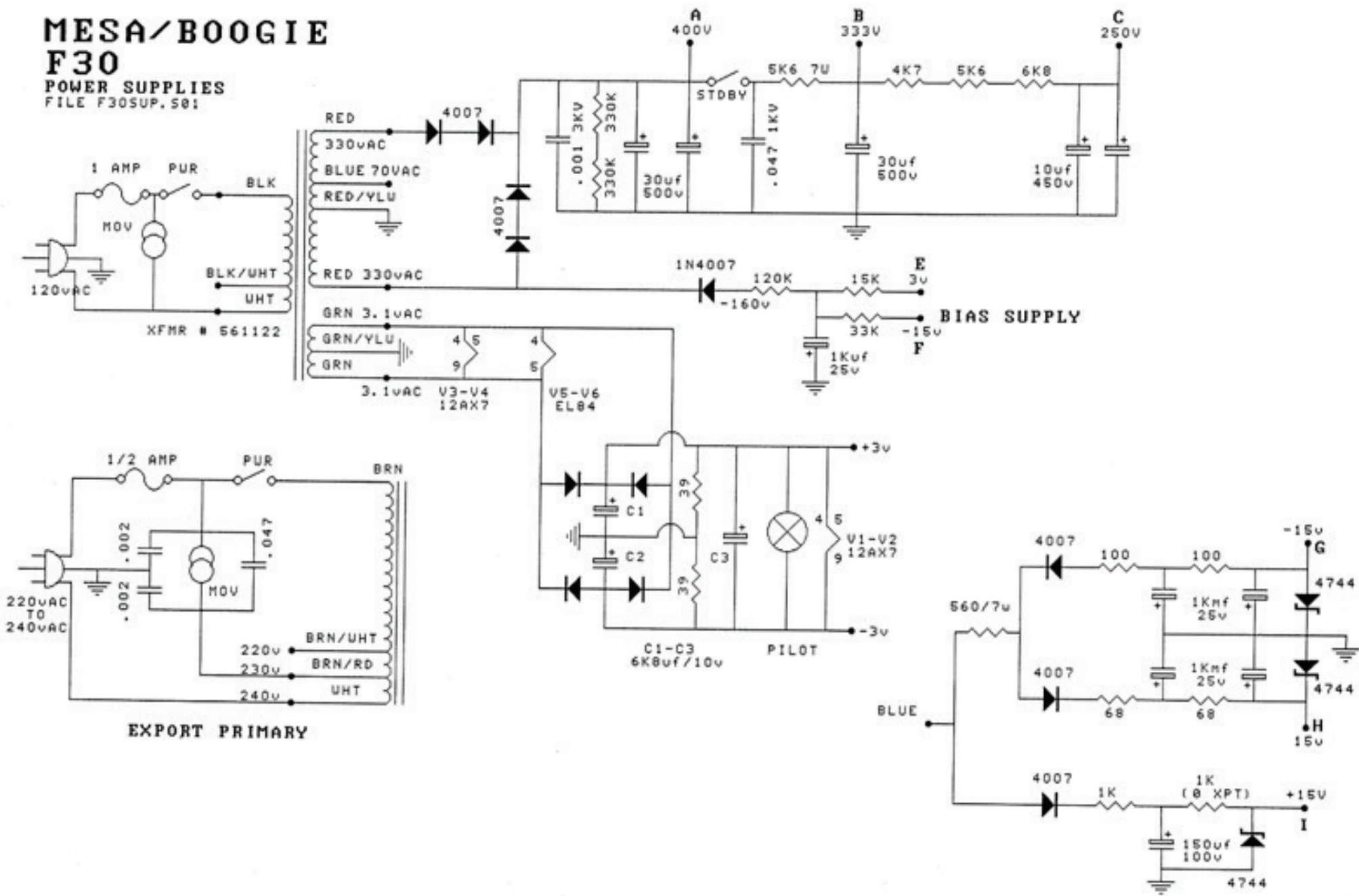
BLOCK DIAGRAM
FILE F30BLK.501

MESA/BOOGIE

F30

POWER SUPPLIES

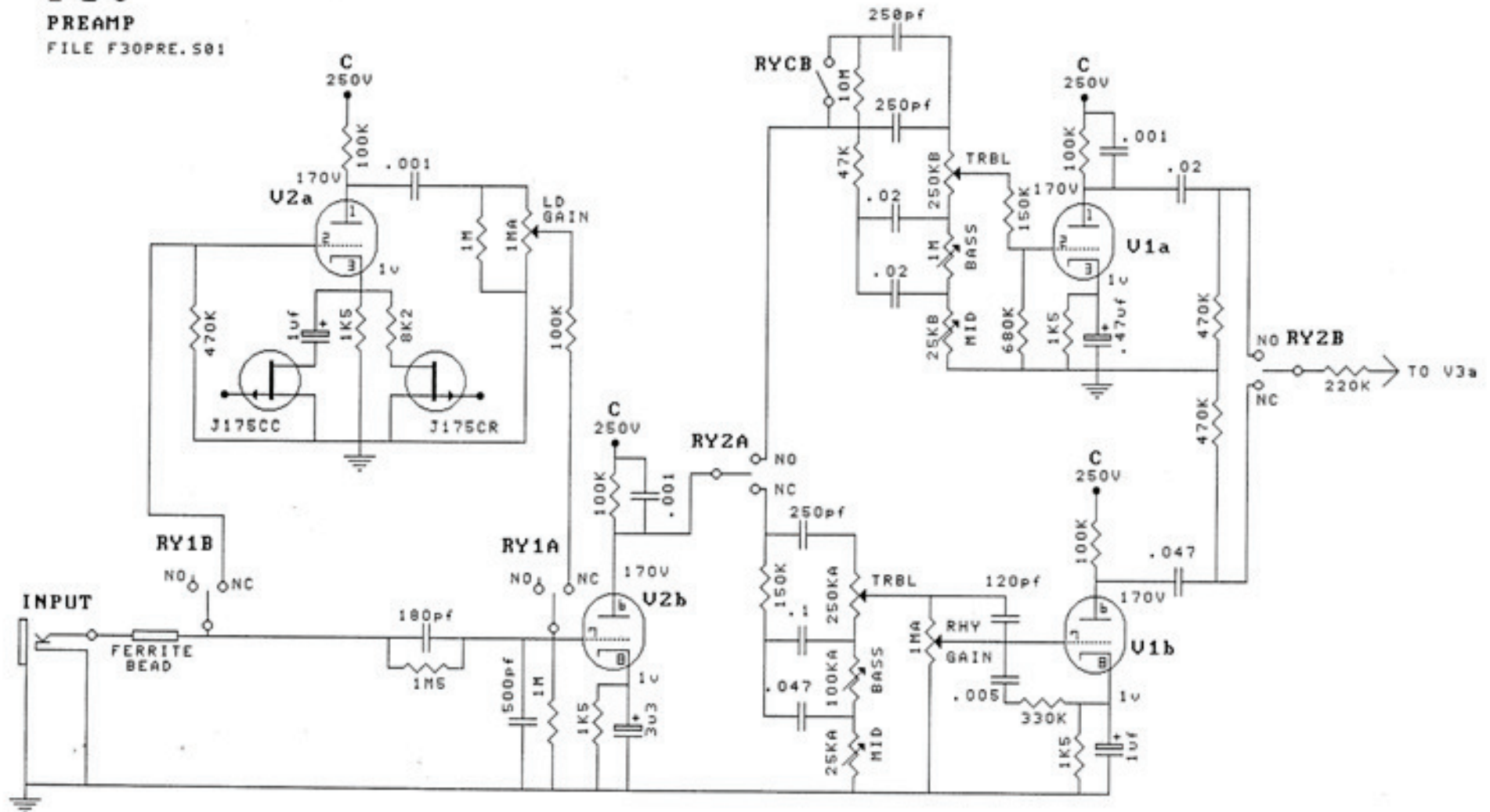
FILE F30SUP.501



MESA/BOOGIE F30

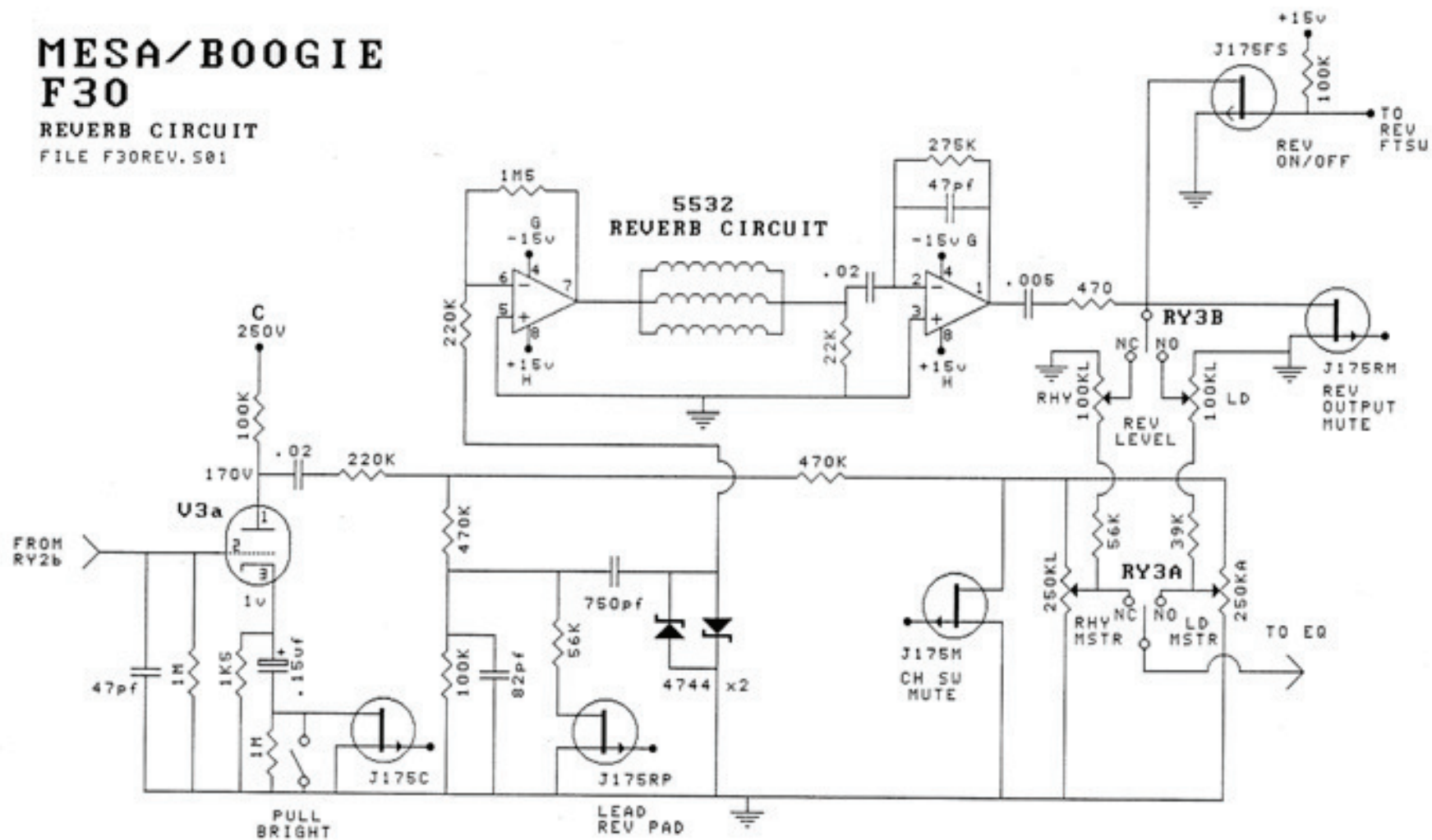
PREAMP

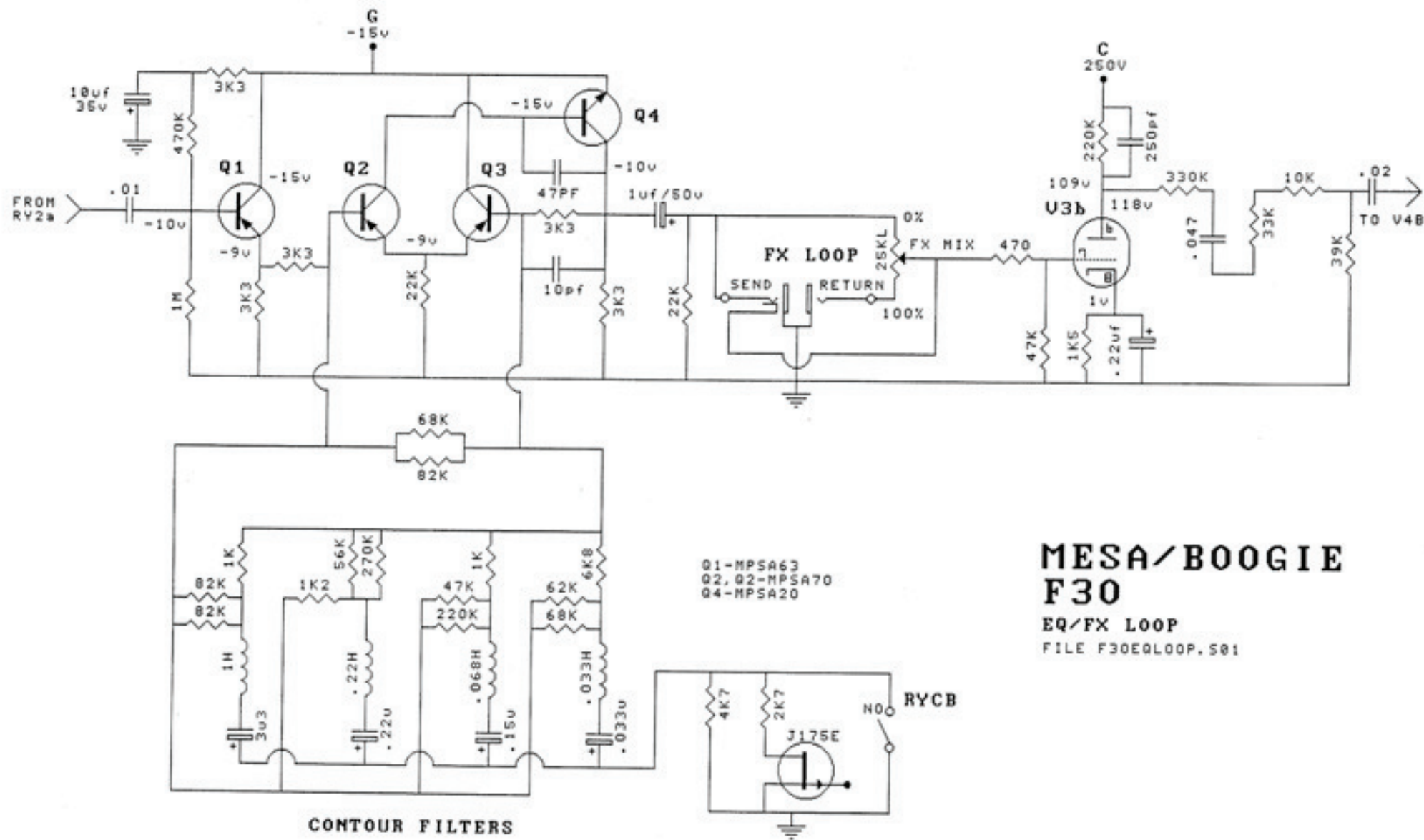
FILE F30PRE.S01



MESA/BOOGIE F30

REVERB CIRCUIT
FILE F30REV.501



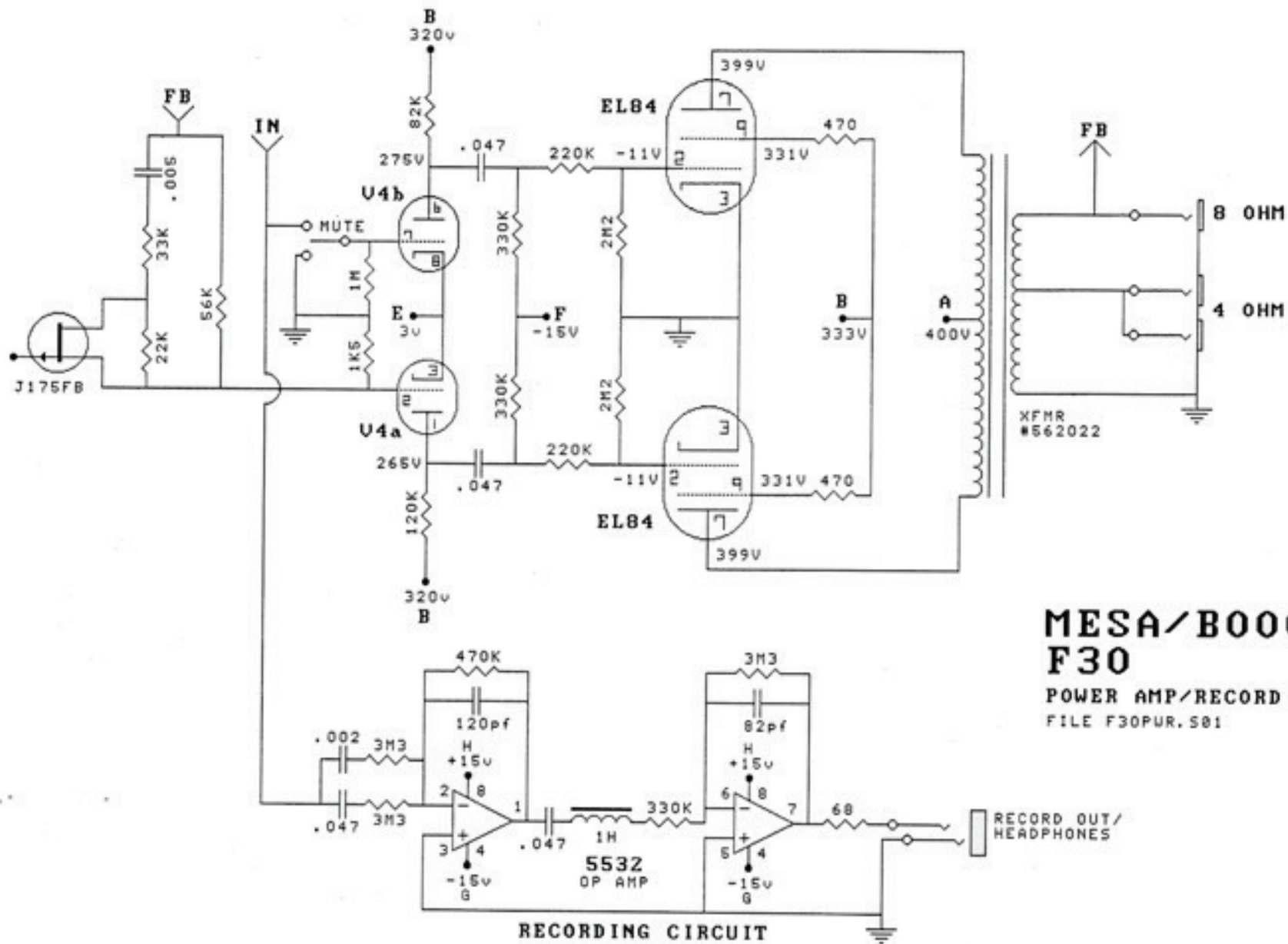


- Q1 - MPSA63
- Q2, Q3 - MPSA70
- Q4 - MPSA20

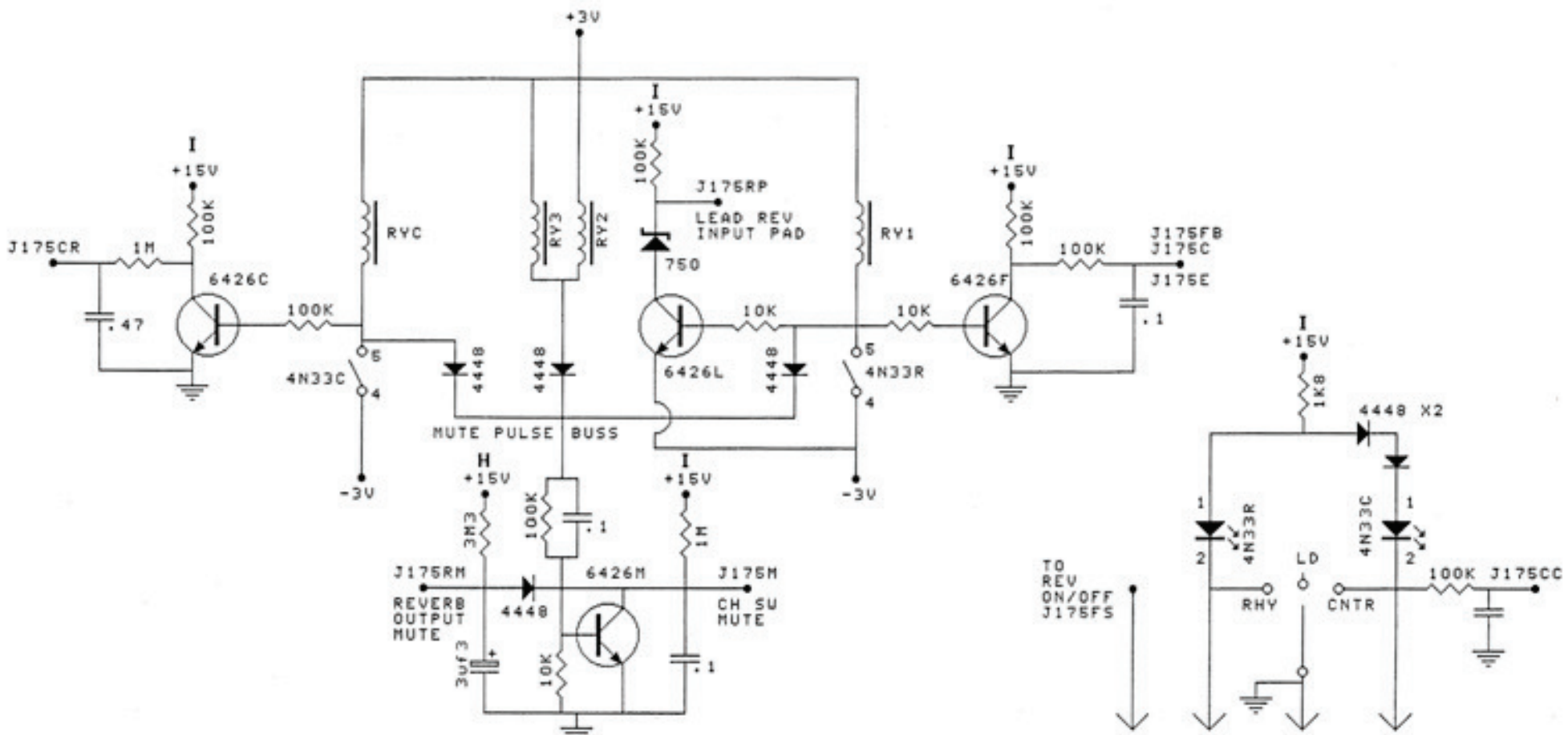
MESA/BOOGIE F30

EQ/FX LOOP
FILE F30EQLOOP.S01

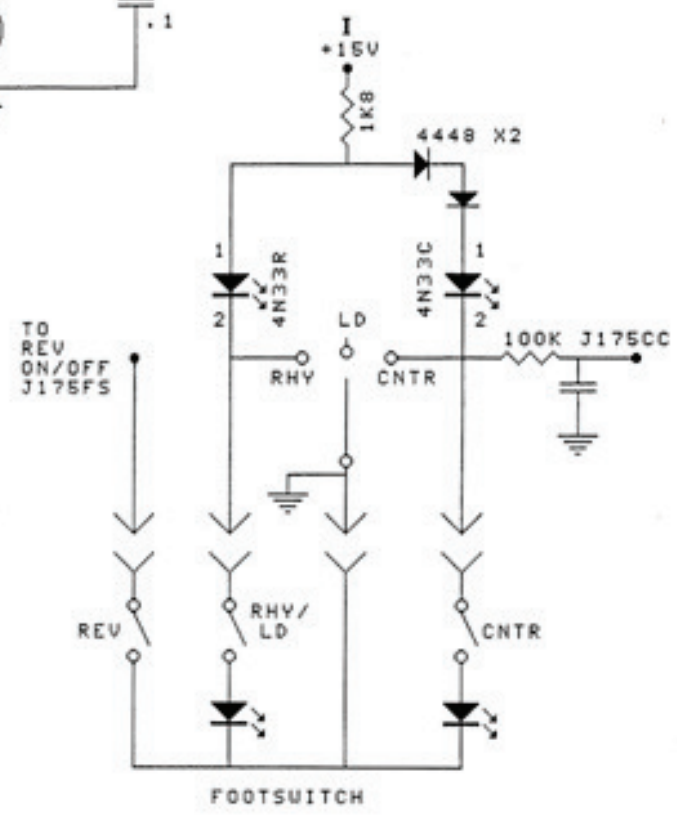
CONTOUR FILTERS



MESA/BOOGIE
F30
 POWER AMP/RECORD OUT
 FILE F30PUR.S01



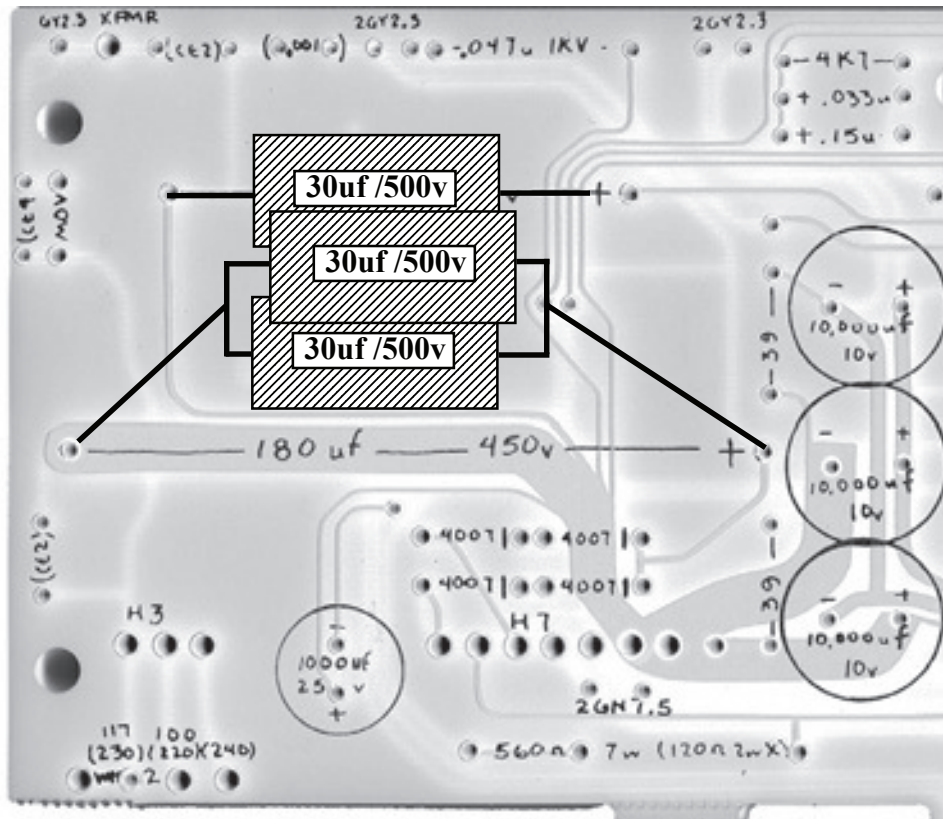
MESA/BOOGIE
F30
 SWITCHING MATRIX
 FILE F30SU1.501



F-30™

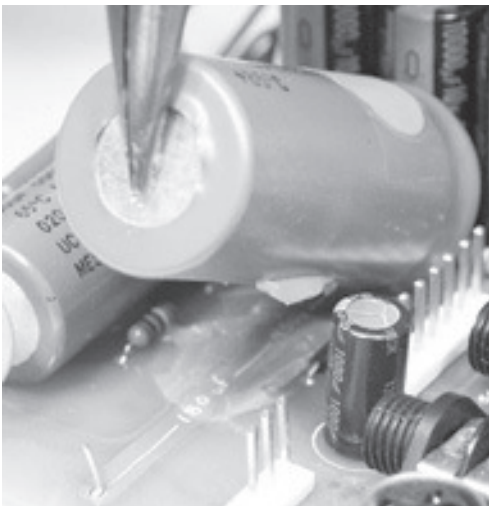
Power Supply Mod

-Replaces 180uf / 450v filter cap with two 30uf / 500v filter caps in parallel



- 1 Remove 180uf / 450v cap.
 - 2 To remove cap: Clip leads at midpoint. Pull firmly upwards to break glue bond (*see below*).
- **note: If cap is extremely difficult to remove: Cut the plastic, remove the metal cap, peel off plastic.*
- 3 Install two 30uf / 500v as shown above.
 - 4 Glue caps to board with silicon.

Breaking Glue Bond



Finished Installation

