

NOTES  
 ALL RESISTORS 1/4W UNLESS NOTED  
 ALL RESISTORS IN OHMS UNLESS NOTED  
 ALL POTS ARE LINEAR UNLESS NOTED  
 ALL CAPACITORS IN MFD UNLESS NOTED  
 ALL DIODES 1N4148 UNLESS NOTED  
 VOLTAGES MAY VARY FROM UNIT TO UNIT  
 BUILT UNDER U.S. PATENT NOS. 4,318,053; 4,600,891 AND PATENT PENDING  
 THIS UNIT COMPLIES WITH THE LIMITS FOR A CLASS B COMPUTING  
 DEVICE PURSUANT TO SUBPART J OF PART 15 OF FCC RULES

**MEGABASS™**

(SHEET 1 OF 3)

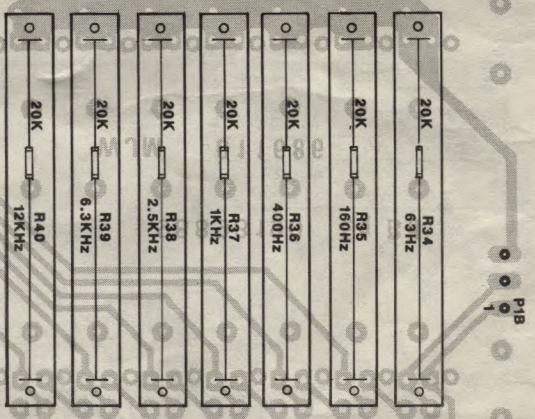
FRONT PANEL BD.# 98893171 (07-25-86)  
 CONTROL BD.# 98893240 (06-25-85)  
 CROSSOVER BD.# 98893201 (08-30-86)  
 EQ BD.# 98893190 (01-18-86)

PEAVEY® ELECTRONICS CORP. MERIDIAN, MS	
DRAWN BY	JRH DATE 2-18-87
C.B. CK.	JRH
CK. BY	R. Kelly
APPR. BY	S. Taylor

P/N 81510300

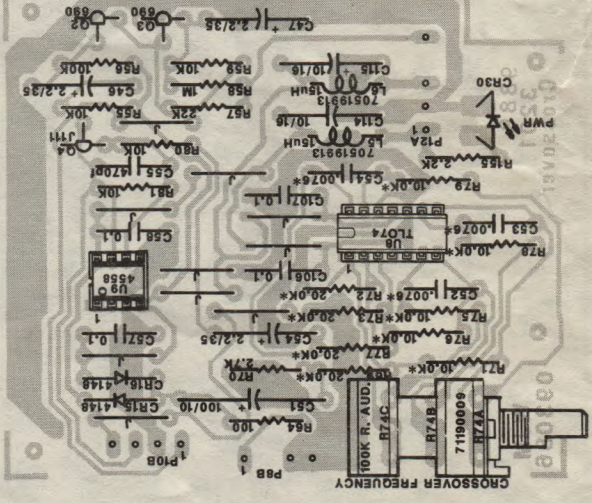
MEGABASS™ EQ. BD.

ALL SLIDE POTS: 71190099

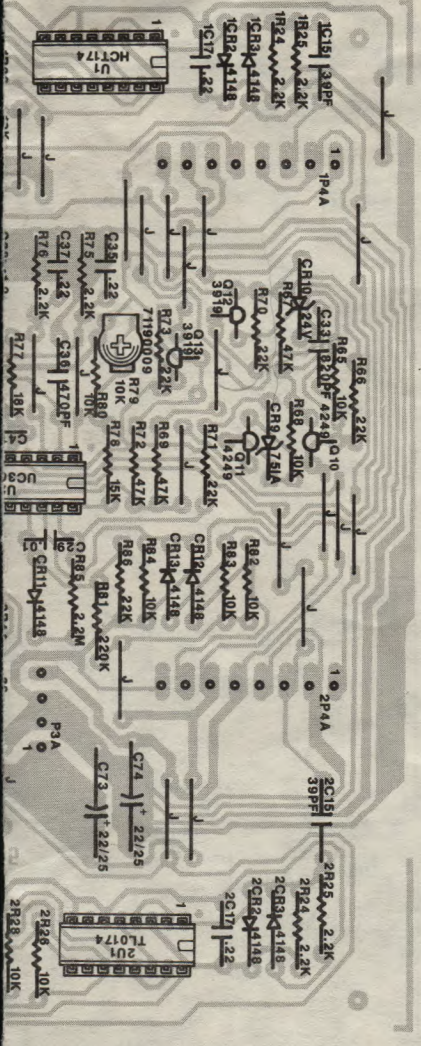
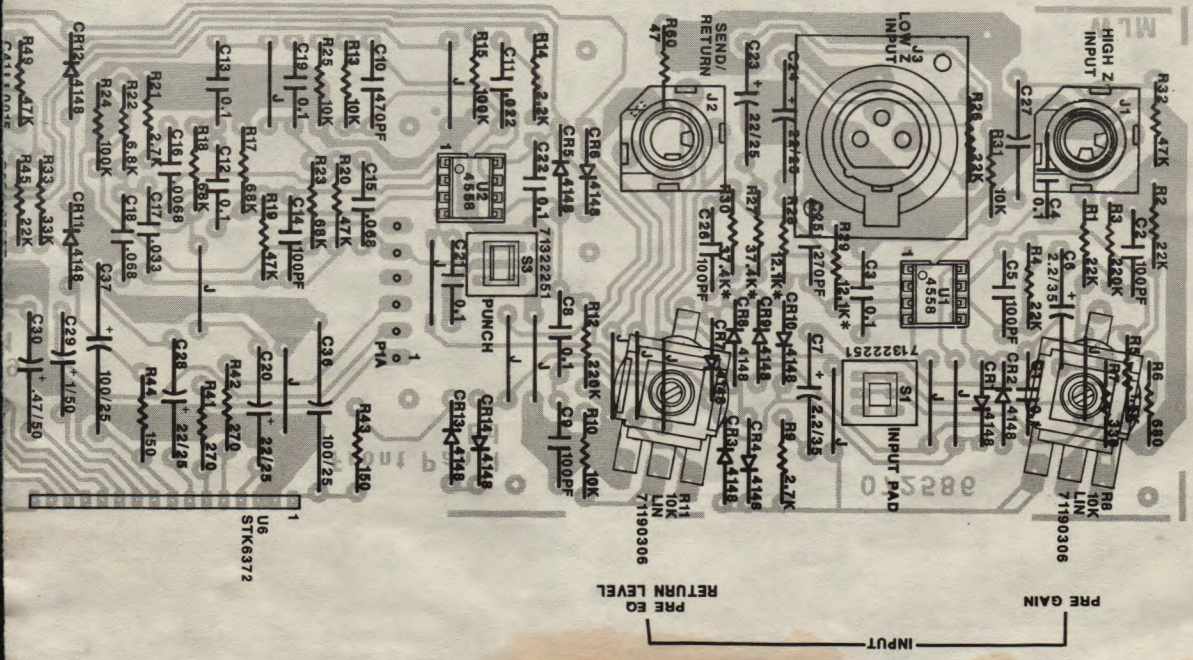


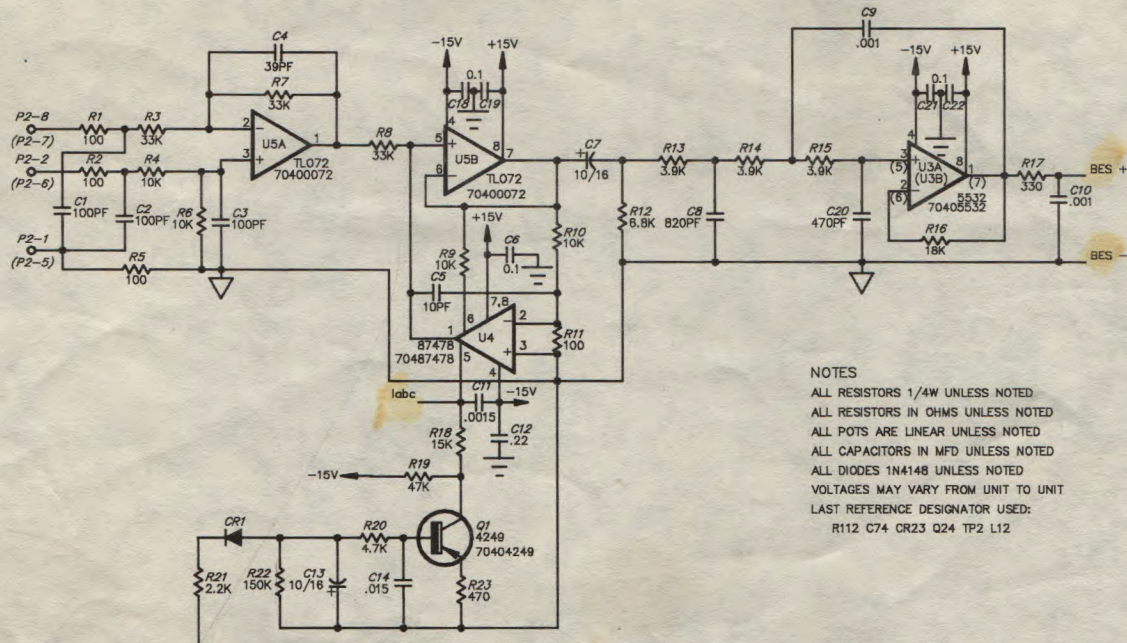
MEGABASS™ CROSSOVER BD.

\* DENOTES 1% TOLERANCE

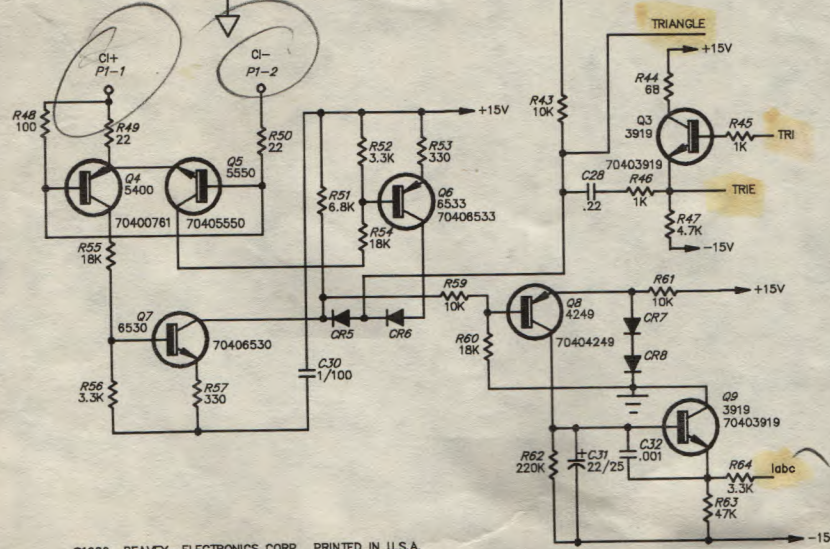
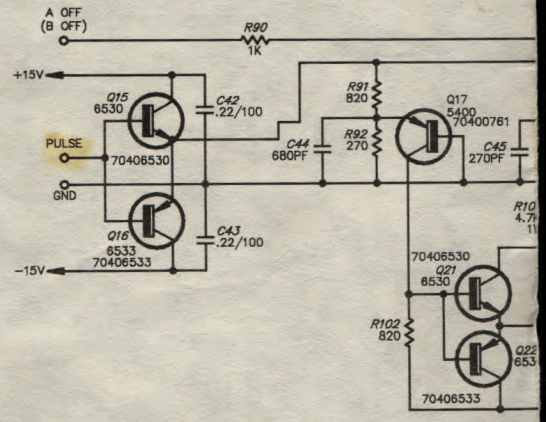
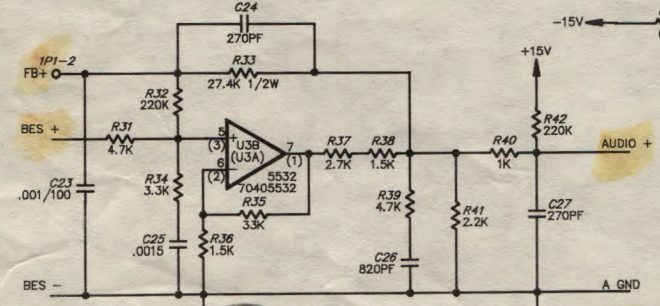
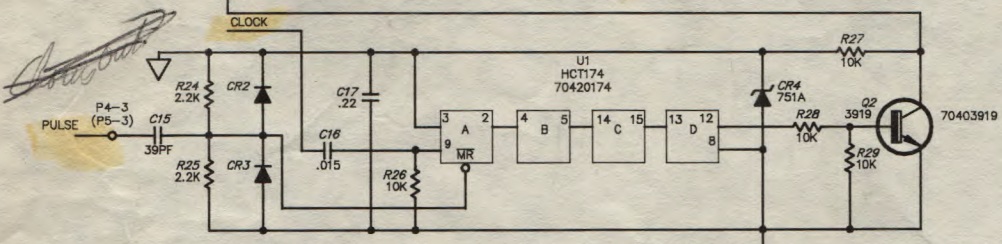


MEGABASS™ FRONT P

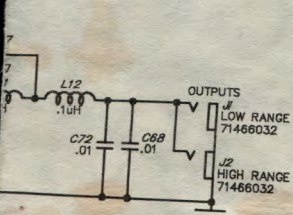
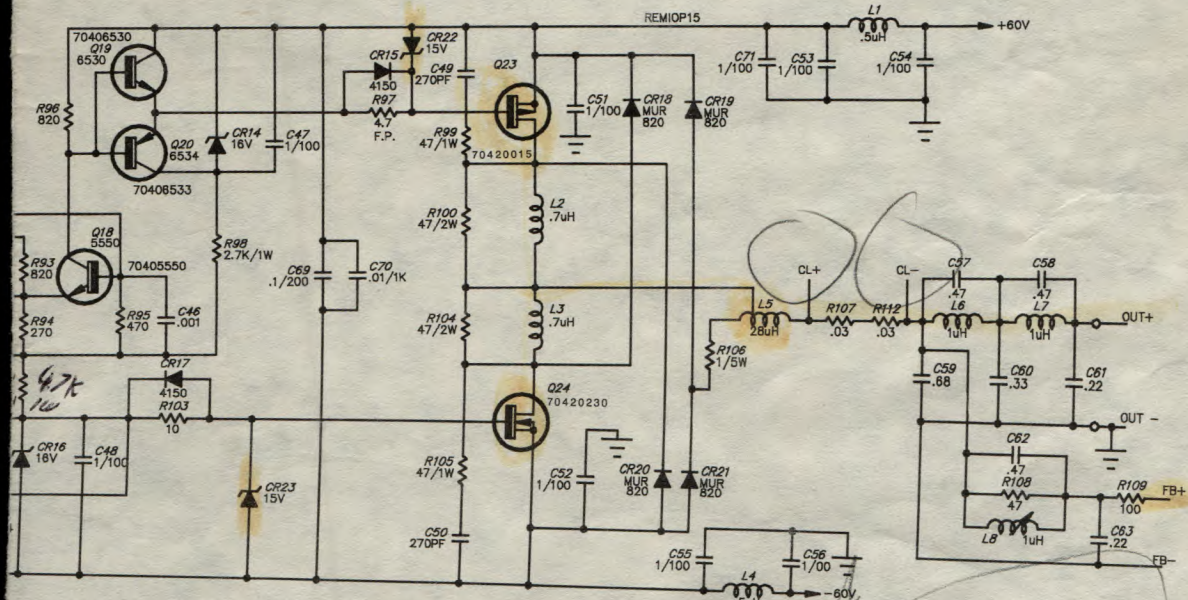
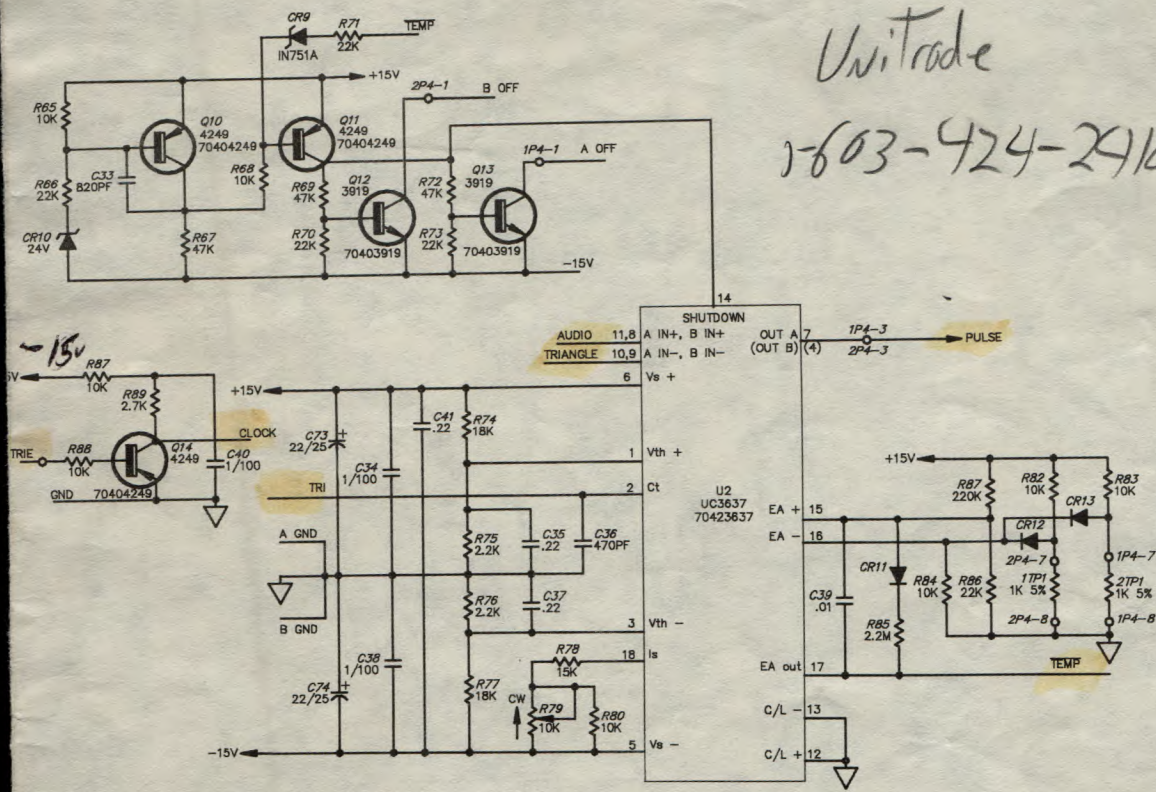




NOTES  
 ALL RESISTORS 1/4W UNLESS NOTED  
 ALL RESISTORS IN OHMS UNLESS NOTED  
 ALL POTS ARE LINEAR UNLESS NOTED  
 ALL CAPACITORS IN MFD UNLESS NOTED  
 ALL DIODES 1N4148 UNLESS NOTED  
 VOLTAGES MAY VARY FROM UNIT TO UNIT  
 LAST REFERENCE DESIGNATOR USED:  
 R112 C74 CR23 Q24 TP2 L12



Unitrade  
1-603-424-2410



**MEGABASS™**

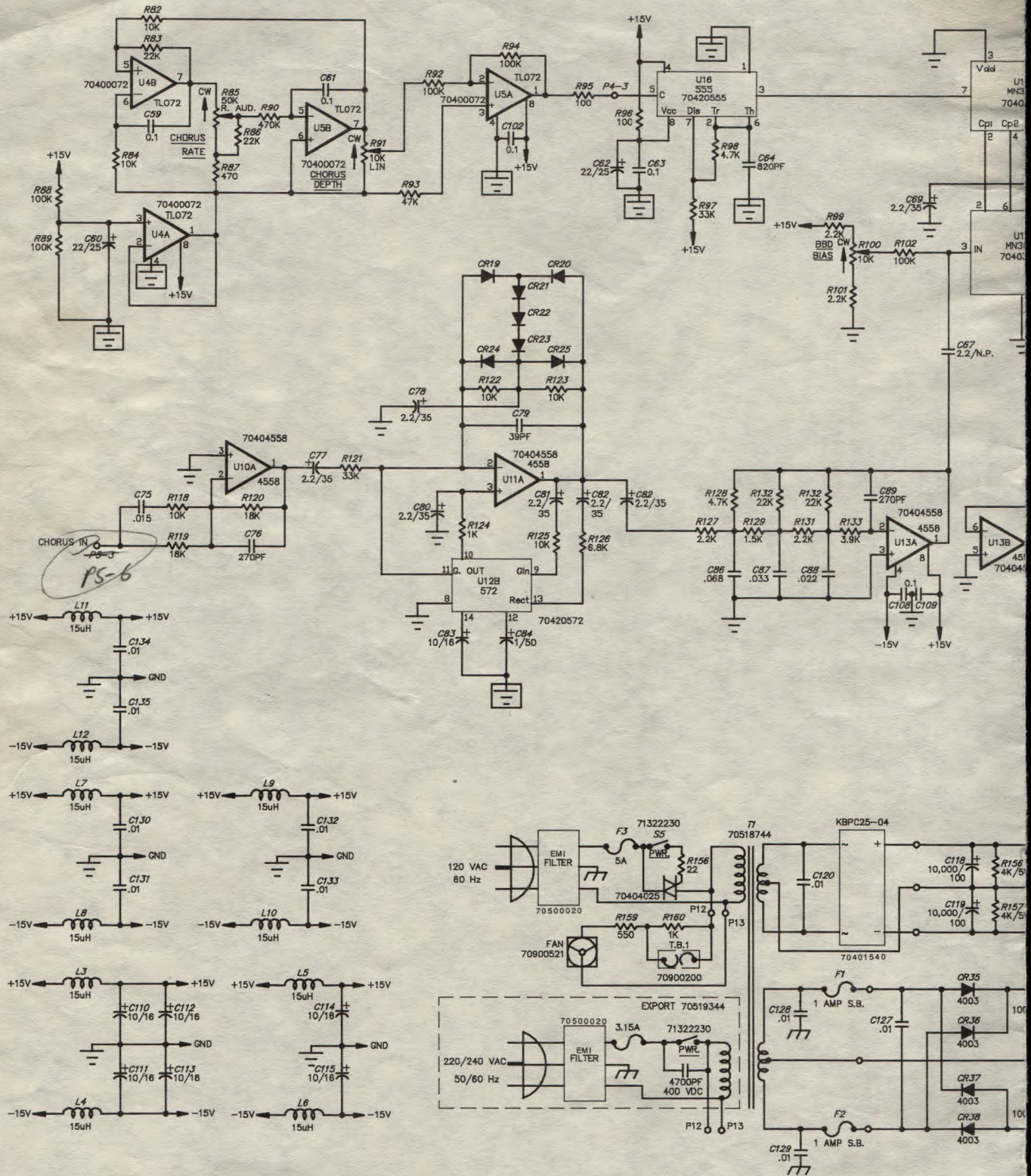
(SHEET 3 OF 3)

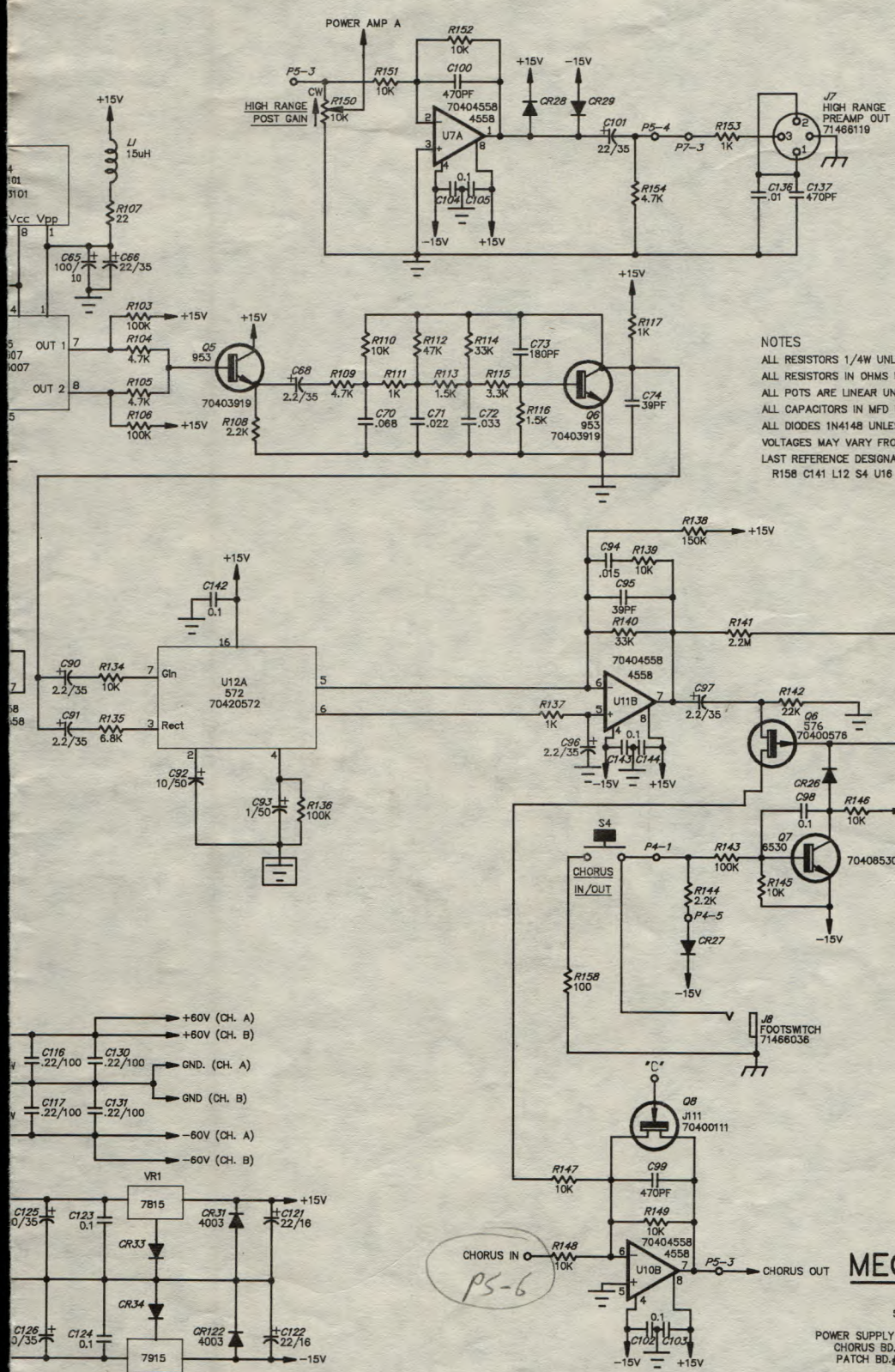
OUTPUT BD.# 98893210 (03-07-86)  
POWER BD.# 98893230 (12-04-85)

P/N 81510302

*Greg? Jerry?*  
*1-601-483-5365*  
*PV*

PEAVEY® ELECTRONICS CORP. MERIDIAN, MS	
DRAWN BY <i>JRH</i>	DATE <i>2-18-87</i>
C.B. CK. <i>JRH</i>	
CK. BY <i>R.K.H.</i>	
APPR. BY <i>[Signature]</i>	





NOTES  
 ALL RESISTORS 1/4W UNLESS NOTED  
 ALL RESISTORS IN OHMS UNLESS NOTED  
 ALL POTS ARE LINEAR UNLESS NOTED  
 ALL CAPACITORS IN MFD UNLESS NOTED  
 ALL DIODES 1N4148 UNLESS NOTED  
 VOLTAGES MAY VARY FROM UNIT TO UNIT  
 LAST REFERENCE DESIGNATOR USED:  
 R158 C141 L12 S4 U16 CR38 J8

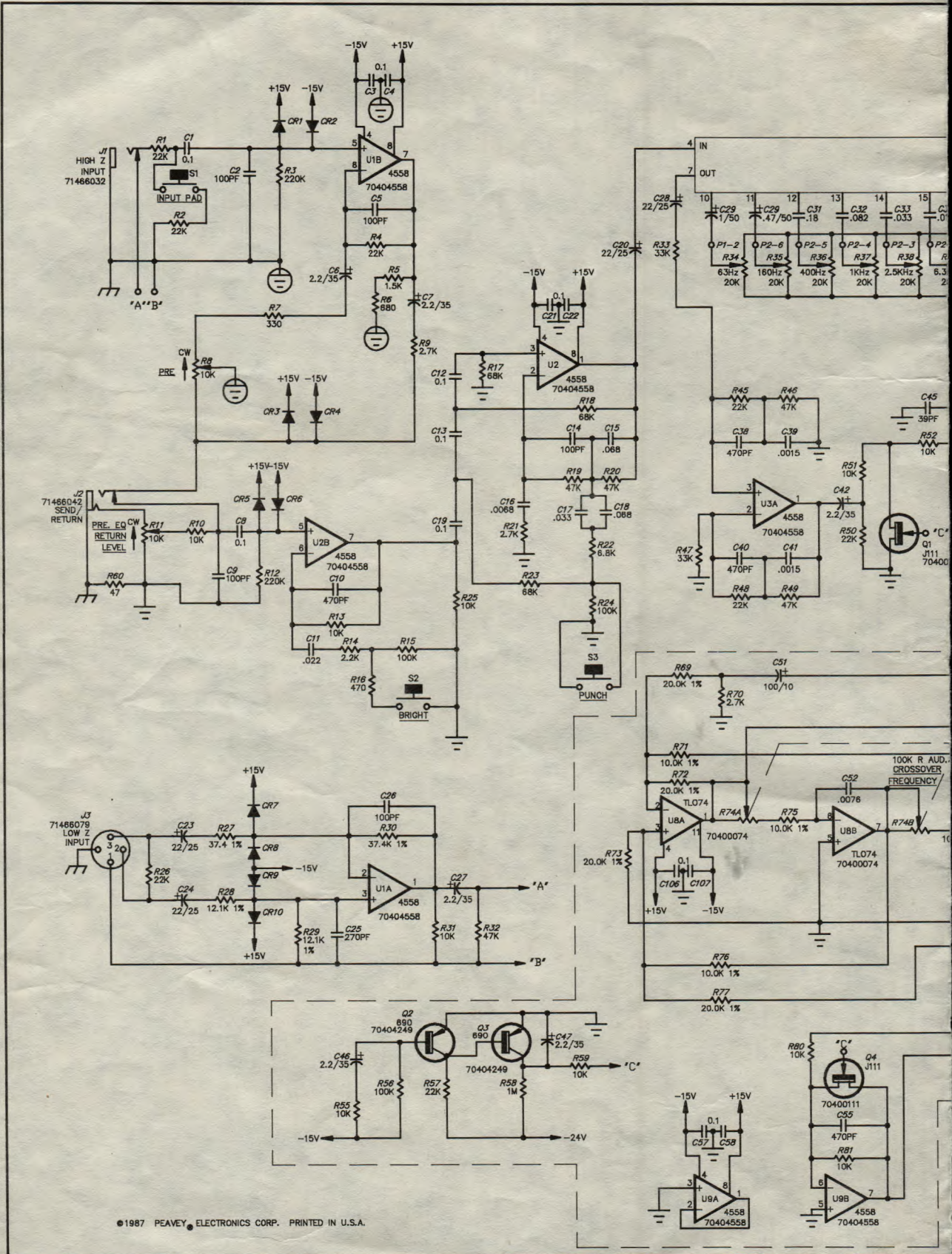
**MEGABASS™**

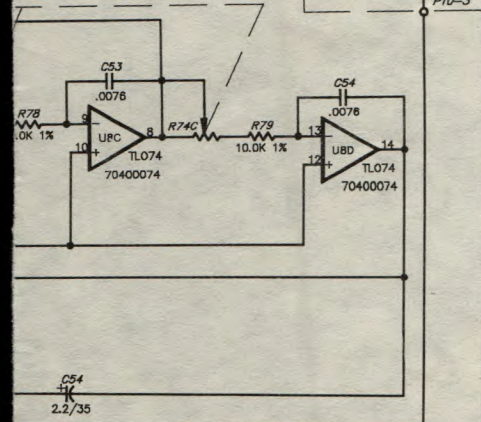
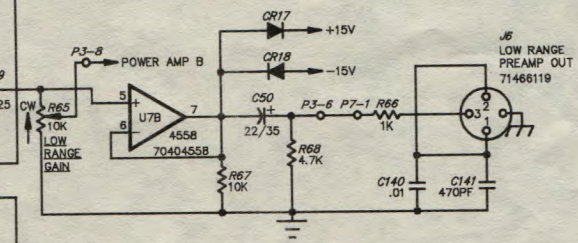
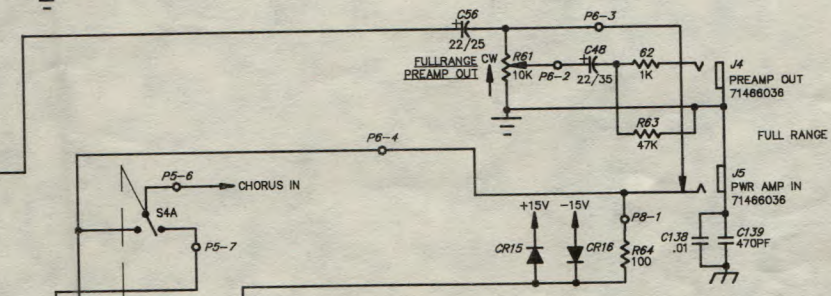
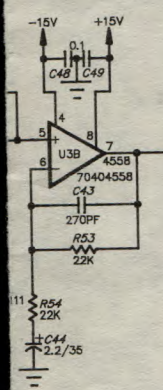
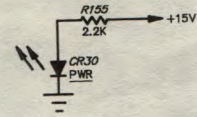
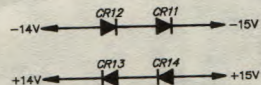
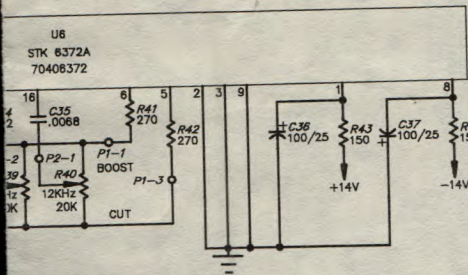
SHEET 2 OF 3

POWER SUPPLY BD.# 98893180 (02-11-86)  
 CHORUS BD.# 98893180 (02-14-86)  
 PATCH BD.# 98893220 (09-29-86)

PEAVEY ELECTRONICS CORP. MERIDIAN, MS	
DRAWN BY	JRN DATE 2-18-87
C.B. CK.	JRN
CK. BY	R. Kelly
APPR. BY	Stacy

P/N 81510301





NOTES  
 ALL RESISTORS 1/4W UNLESS NOTED  
 ALL RESISTORS IN OHMS UNLESS NOTED  
 ALL POTS ARE LINEAR UNLESS NOTED  
 ALL CAPACITORS IN MFD UNLESS NOTED  
 ALL DIODES 1N4148 UNLESS NOTED  
 VOLTAGES MAY VARY FROM UNIT TO UNIT  
 BUILT UNDER U.S. PATENT NOS. 4,318,053; 4,600,891 AND PATENT PENDING  
 THIS UNIT COMPLIES WITH THE LIMITS FOR A CLASS B COMPUTING  
 DEVICE PURSUANT TO SUBPART J OF PART 15 OF FCC RULES

# MEGABASS™

(SHEET 1 OF 3)

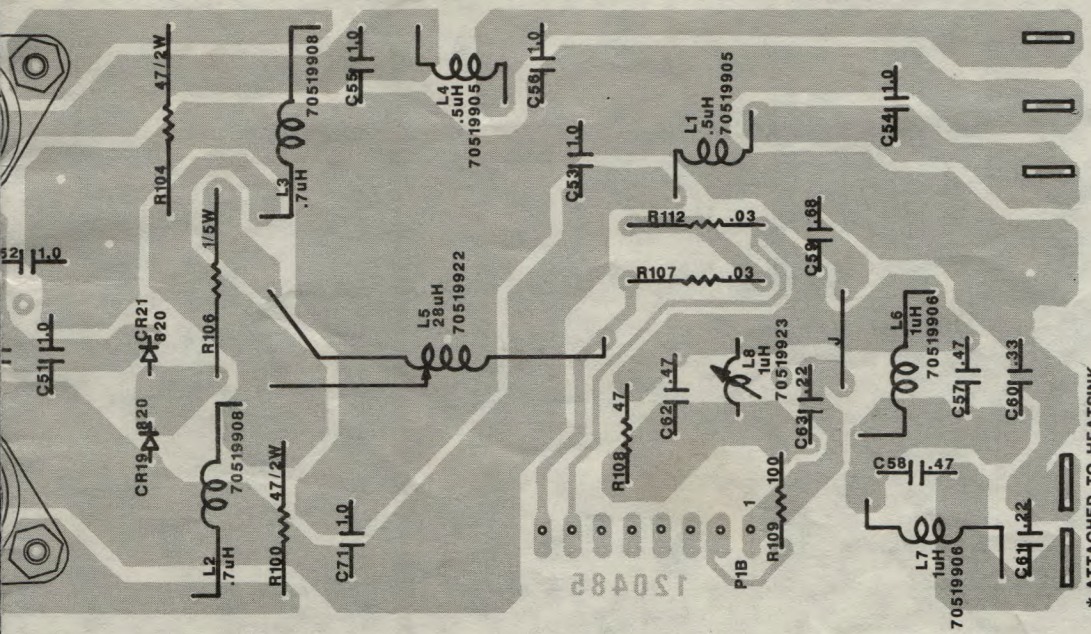
FRONT PANEL BD.# 98893171 (07-25-86)  
 CONTROL BD.# 98893240 (08-25-85)  
 CROSSOVER BD.# 98893201 (08-30-86)  
 EQ BD.# 98893190 (01-18-86)

CROSSOVER BOARD

P/N 81510300

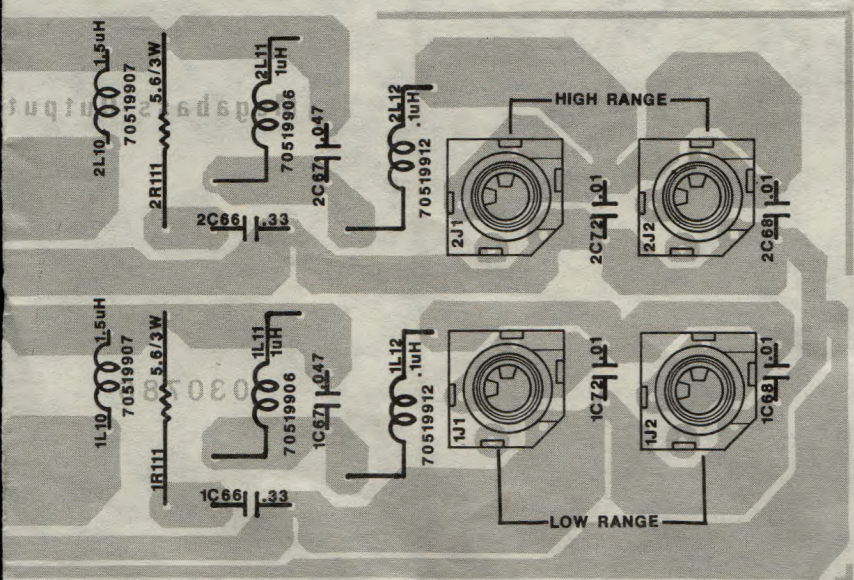
PEAVEY® ELECTRONICS CORP. MERIDIAN, MS	
DRAWN BY	JRH DATE 2-18-87
C.B. CK.	JRH
CK. BY	R Kelly
APPR. BY	Stanford



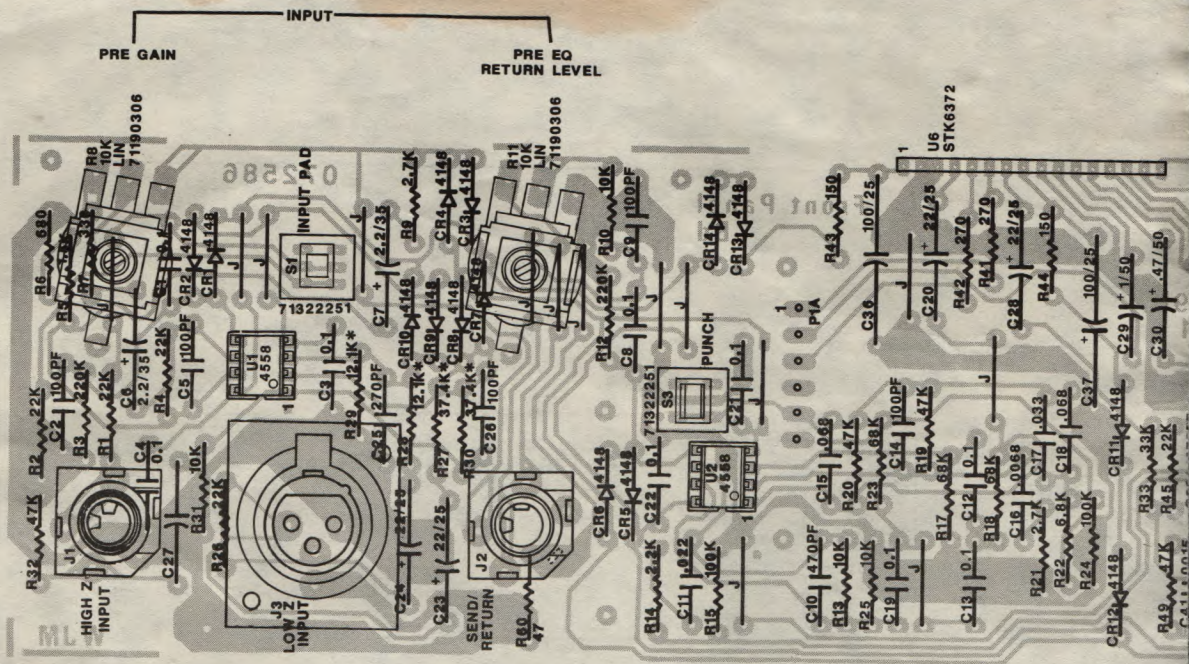


\* ATTACHED TO HEATSINK

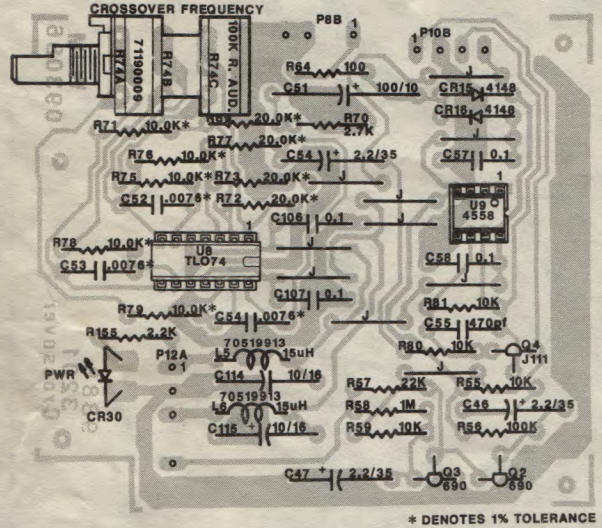
SS™ POWER BD.



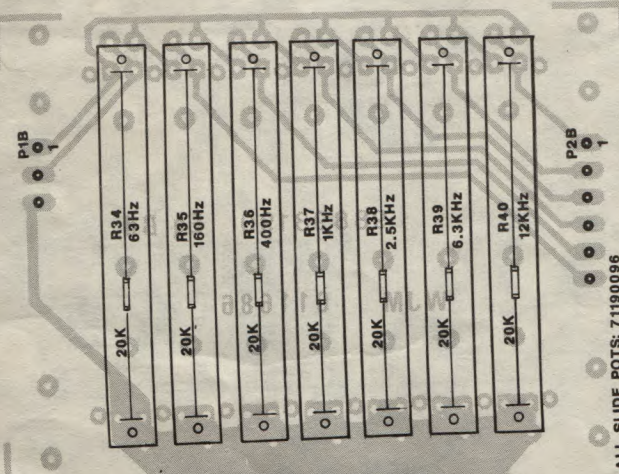
16GABASS™ OUTPUT BD.



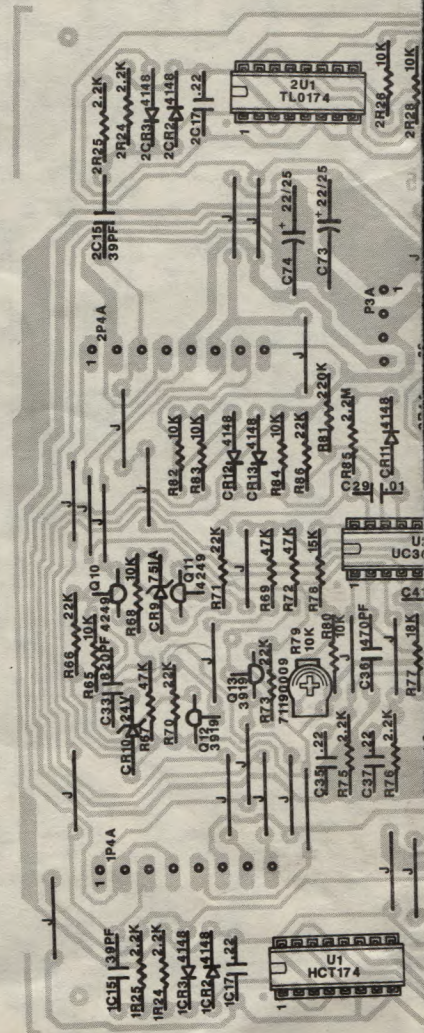
MEGABASS™ FRONT



MEGABASS™ CROSSOVER BD.

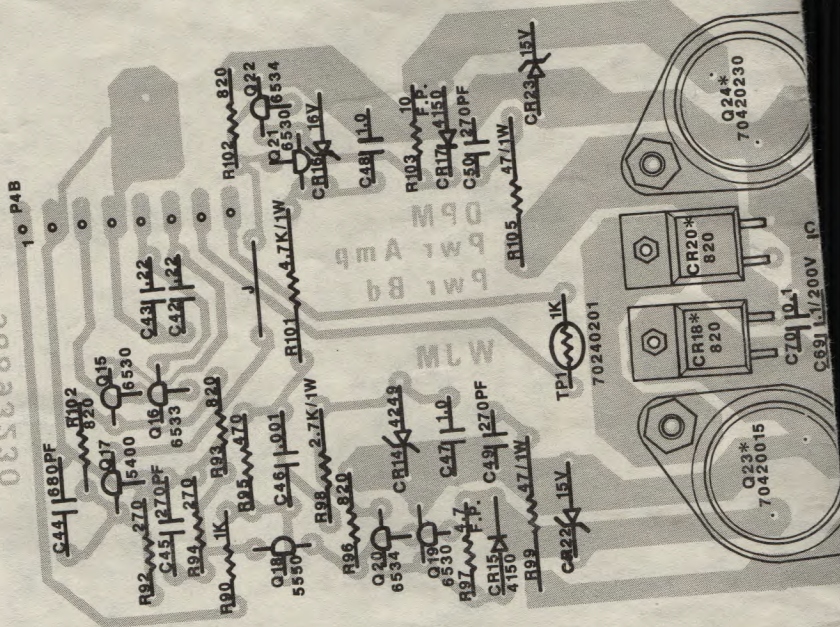


MEGABASS™ EQ. BD.

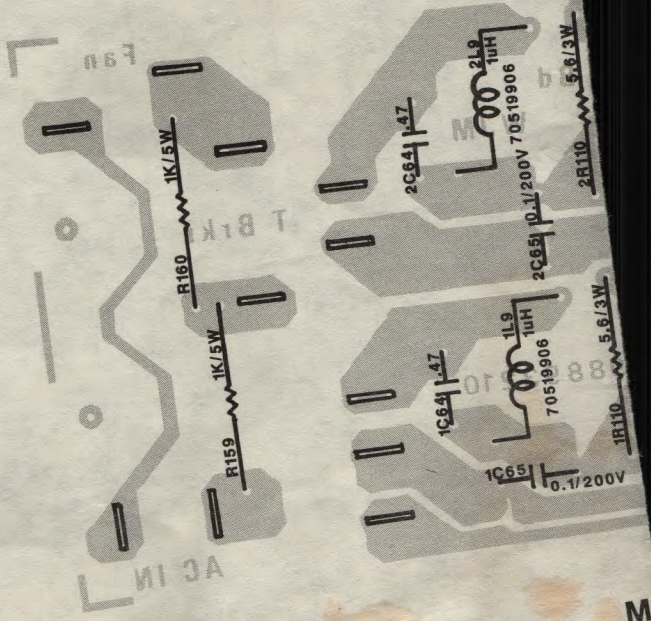


ALL SLIDE POTS: 71190096

0350888



MEGABA

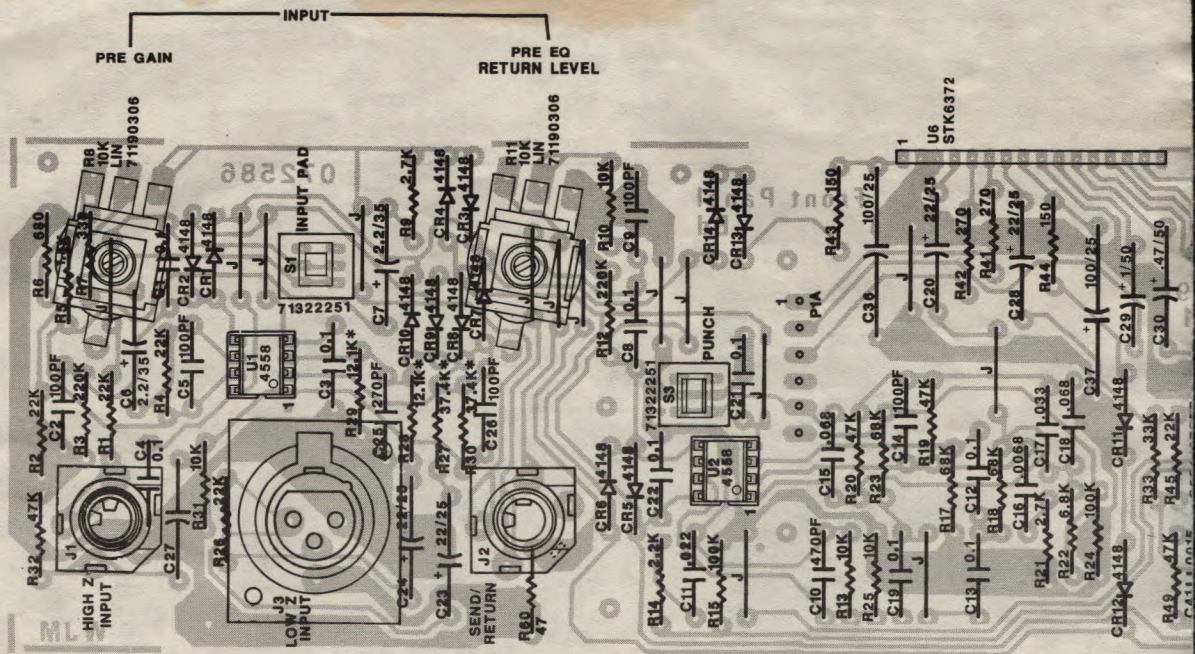


ME

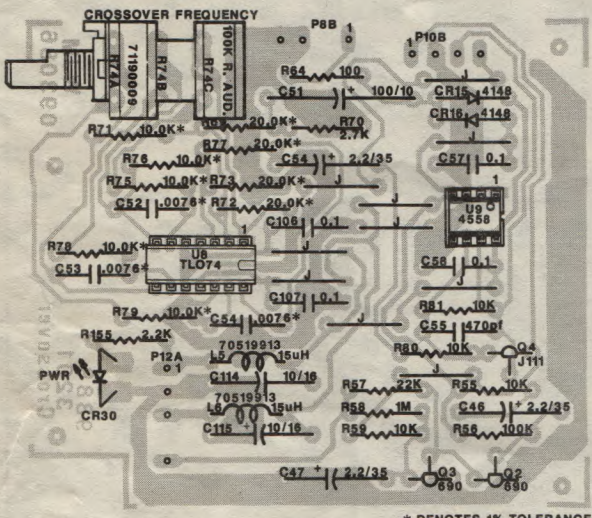




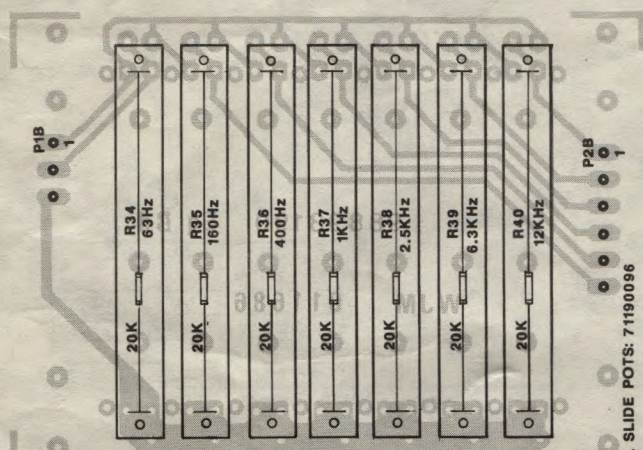




MEGABASS™ FRONT BOARD



MEGABASS™ CROSSOVER BD.



MEGABASS™ EQ. BD.

