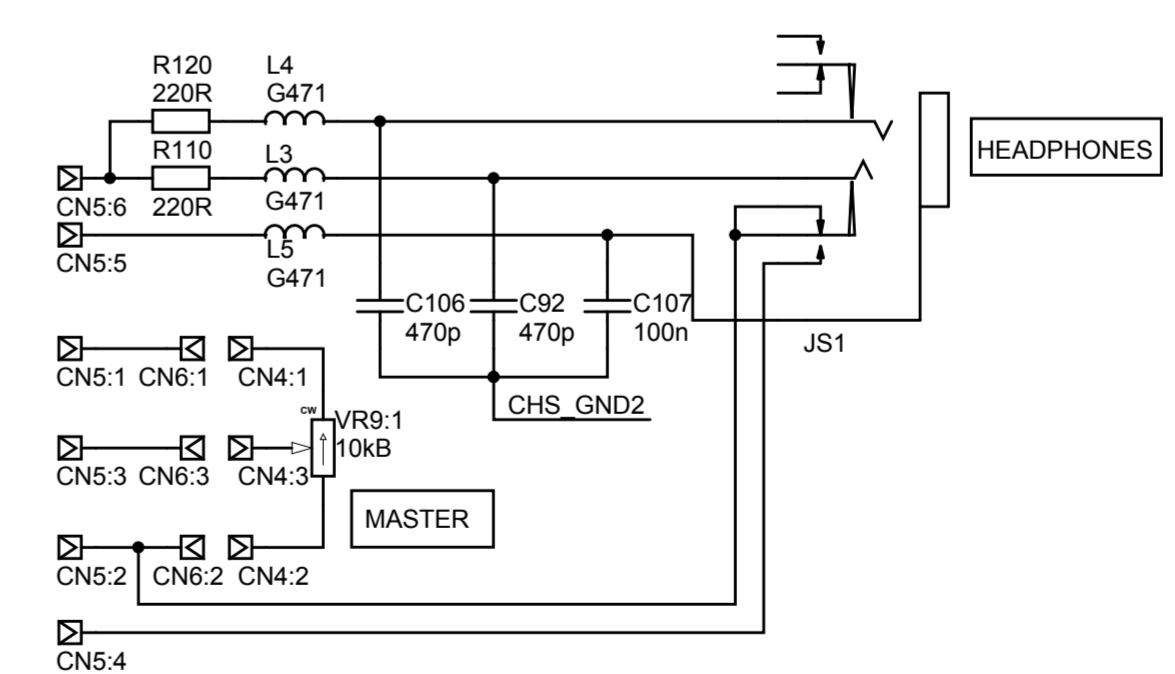
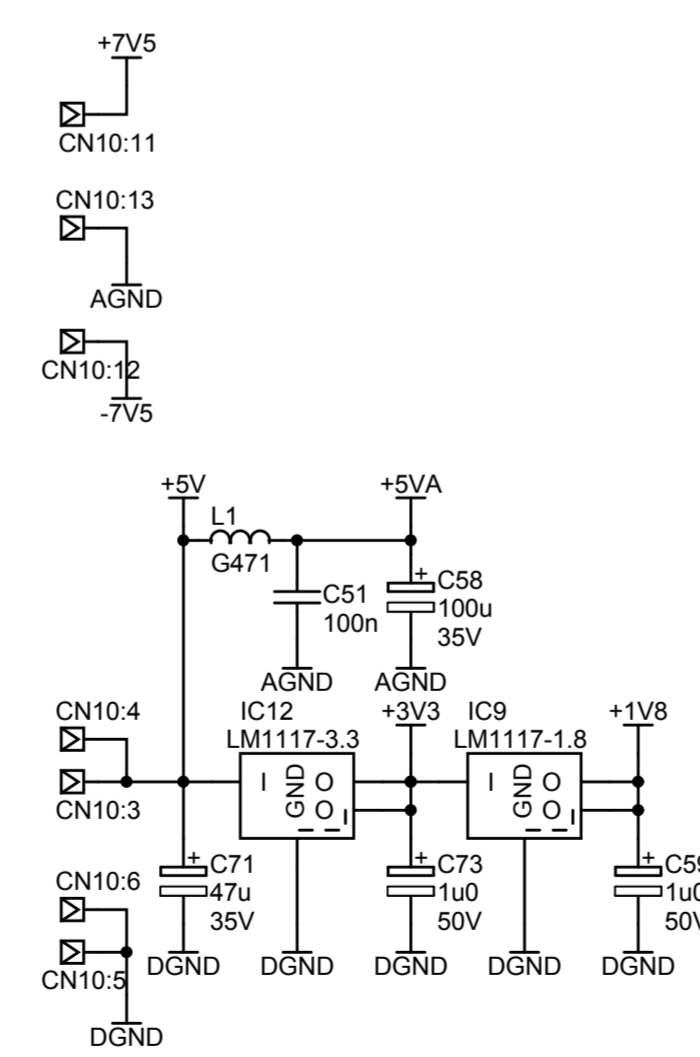
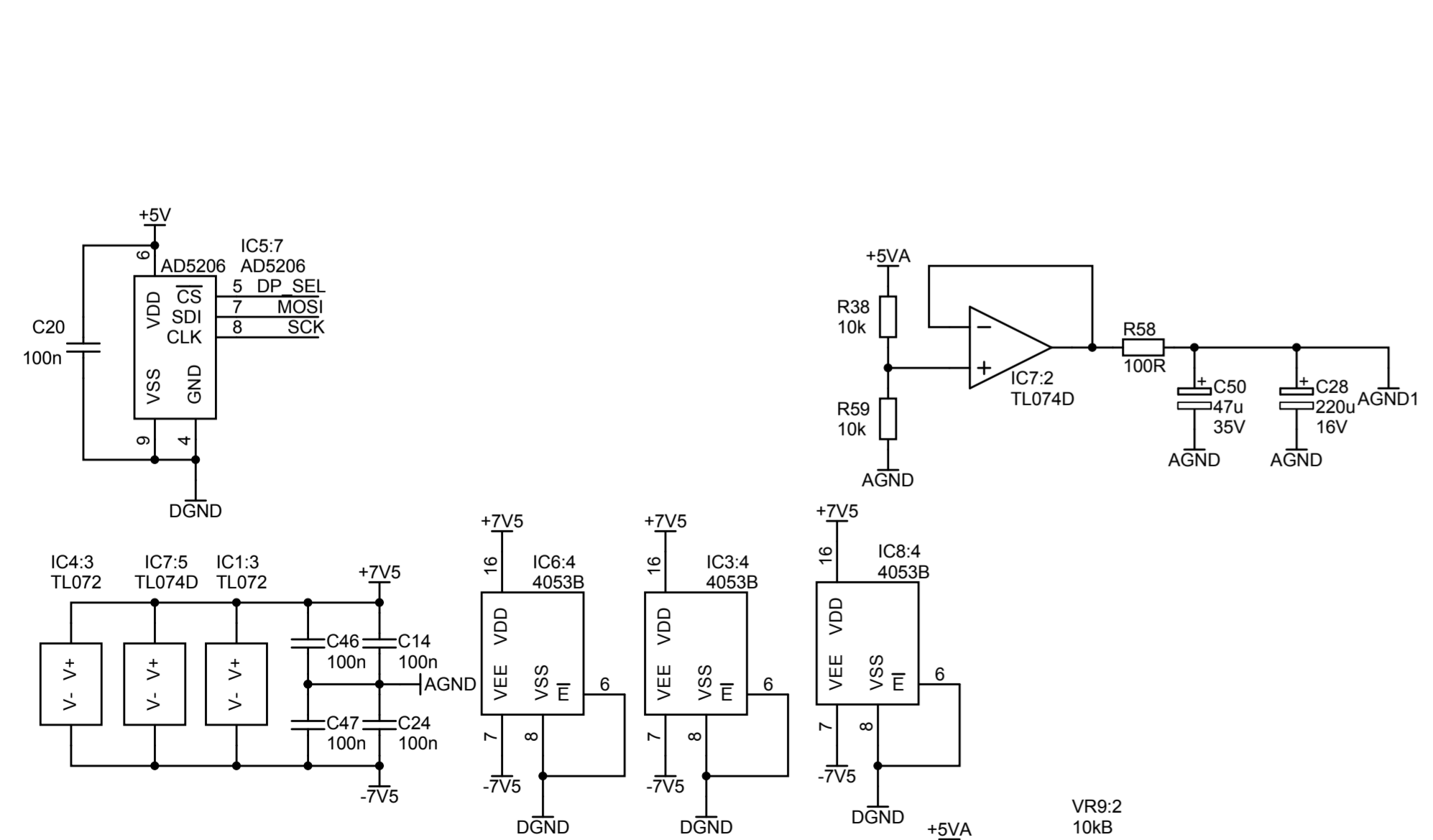


Copyright exists in this document. It must not be used for any purpose other than that for which it is supplied and must not be copied or disclosed (in whole or in part) without written permission from MARSHALL AMPLIFICATION PLC, DENBIGH ROAD, BLETCHLEY, MILTON KEYNES, MK1 1DQ, ENGLAND.



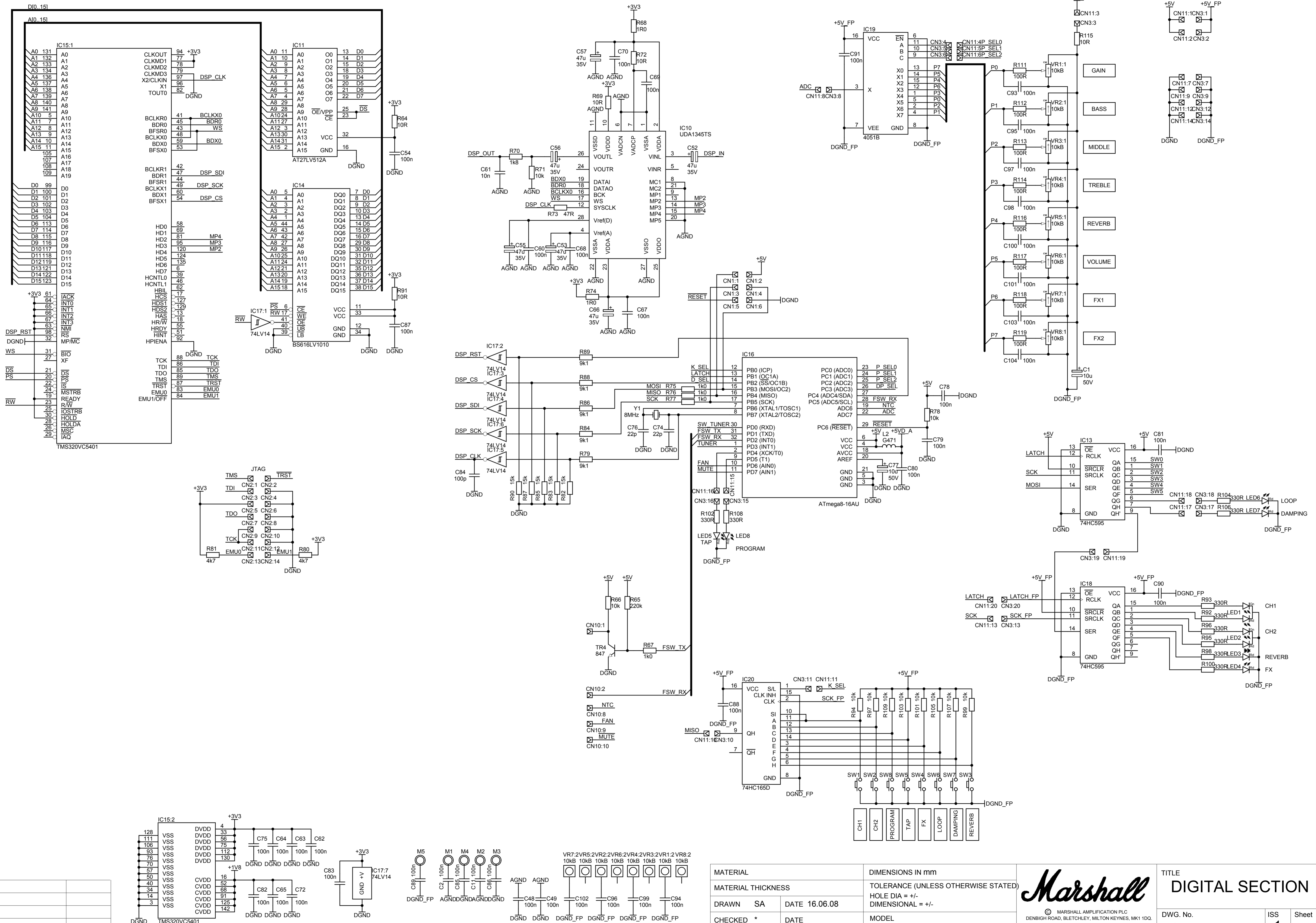
ISS	ECO NUMBER	DATE

MATERIAL	DIMENSIONS IN mm
MATERIAL THICKNESS	TOLERANCE (UNLESS OTHERWISE STATED)
DRAWN SA	DATE 16.06.08
CHECKED	DATE
APPROVED	DATE

MODEL	MG100FX/MG50FX
-------	----------------



TITLE	ANALOG SECTION	
DWG. No.	MG100FX-60-02	ISS 1
Sheet	1 of 2	Date: 24/02/2009



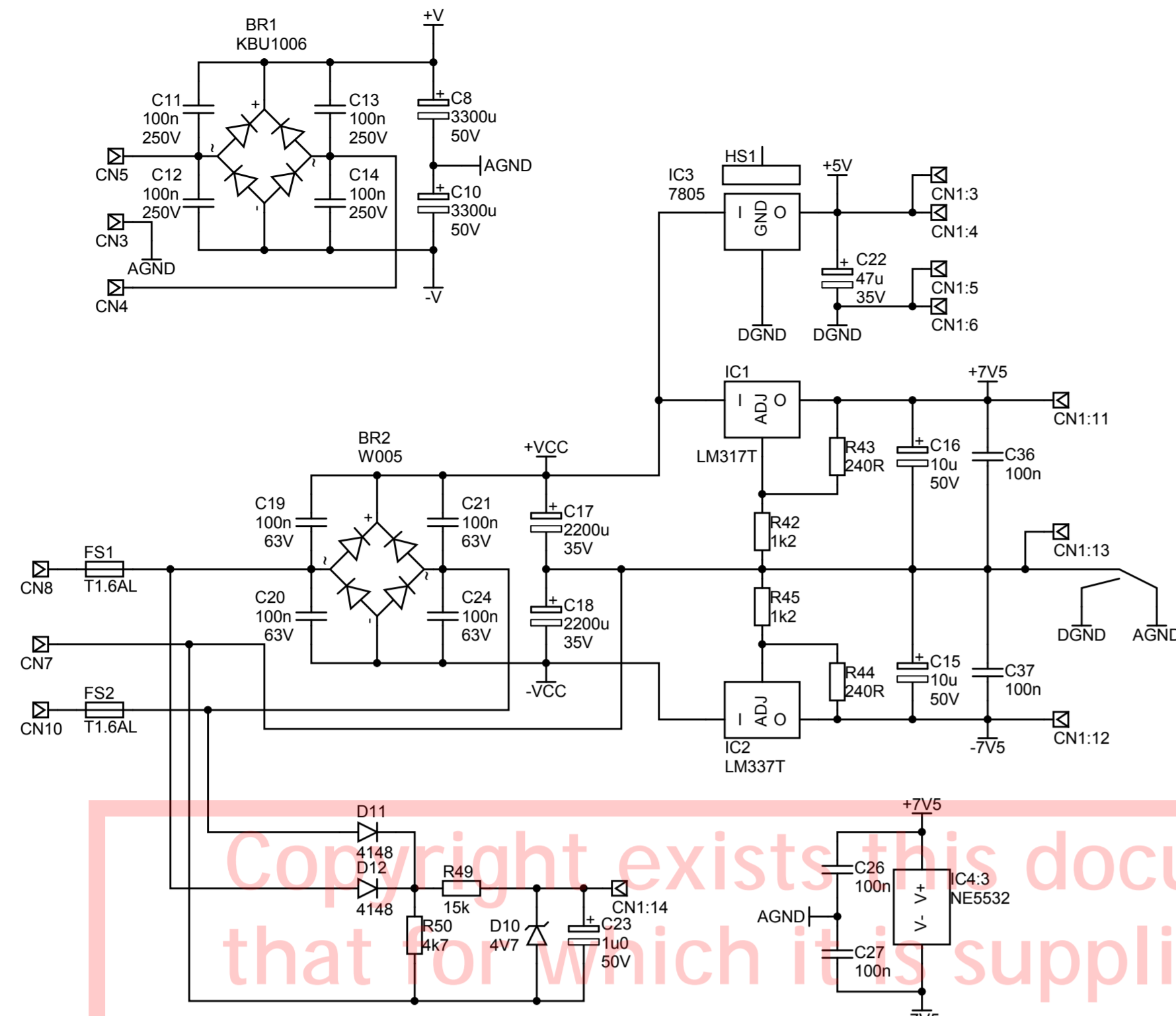
ISS	ECO NUMBER	DATE
-----	------------	------

MATERIAL		DIMENSIONS IN mm	
MATERIAL THICKNESS		TOLERANCE (UNLESS OTHERWISE STATED)	
DRAWN SA	DATE 16.06.08	HOLE DIA = +/-	
CHECKED *	DATE	DIMENSIONAL = +/-	
APPROVED *	DATE	MODEL	

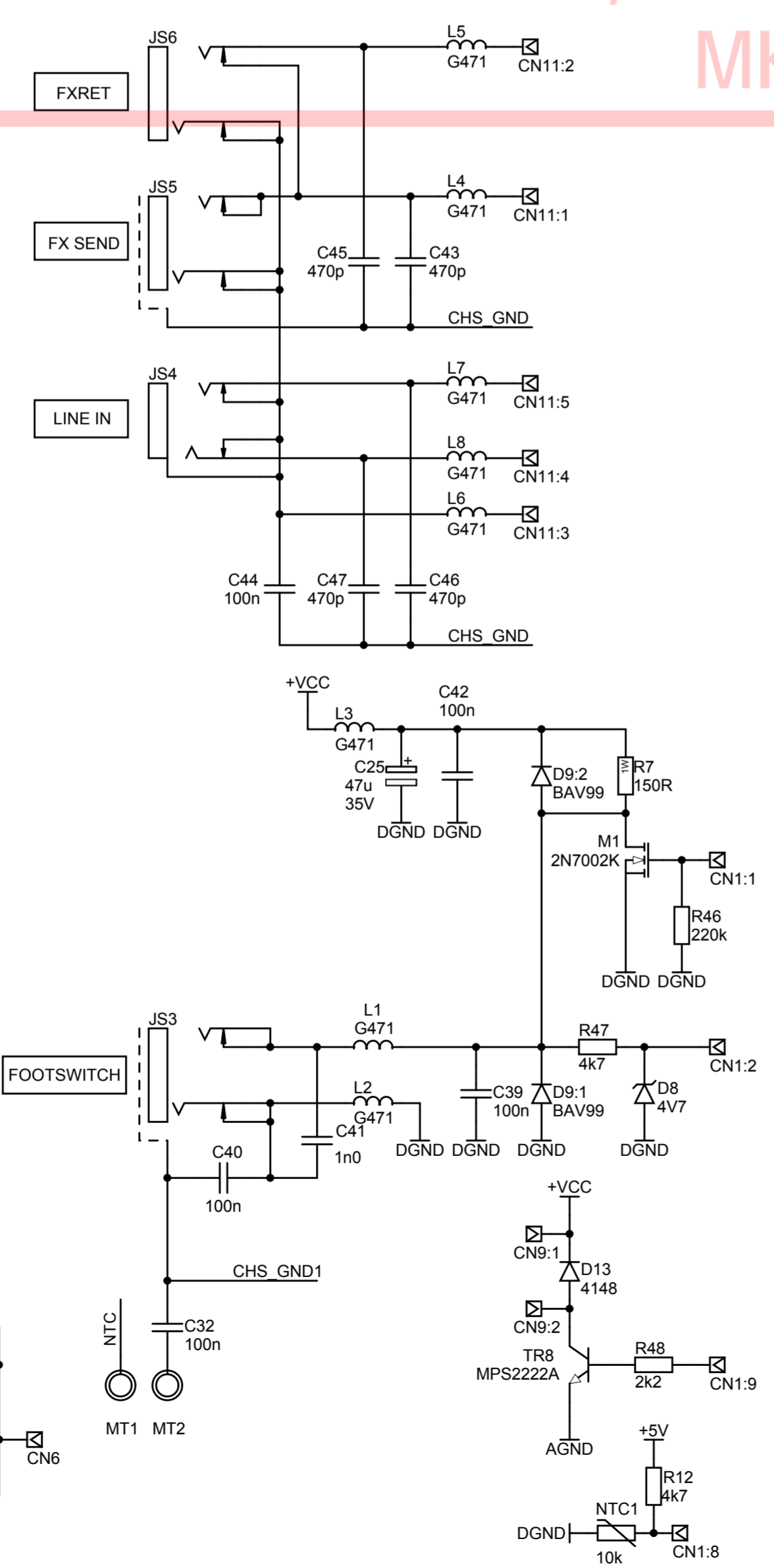
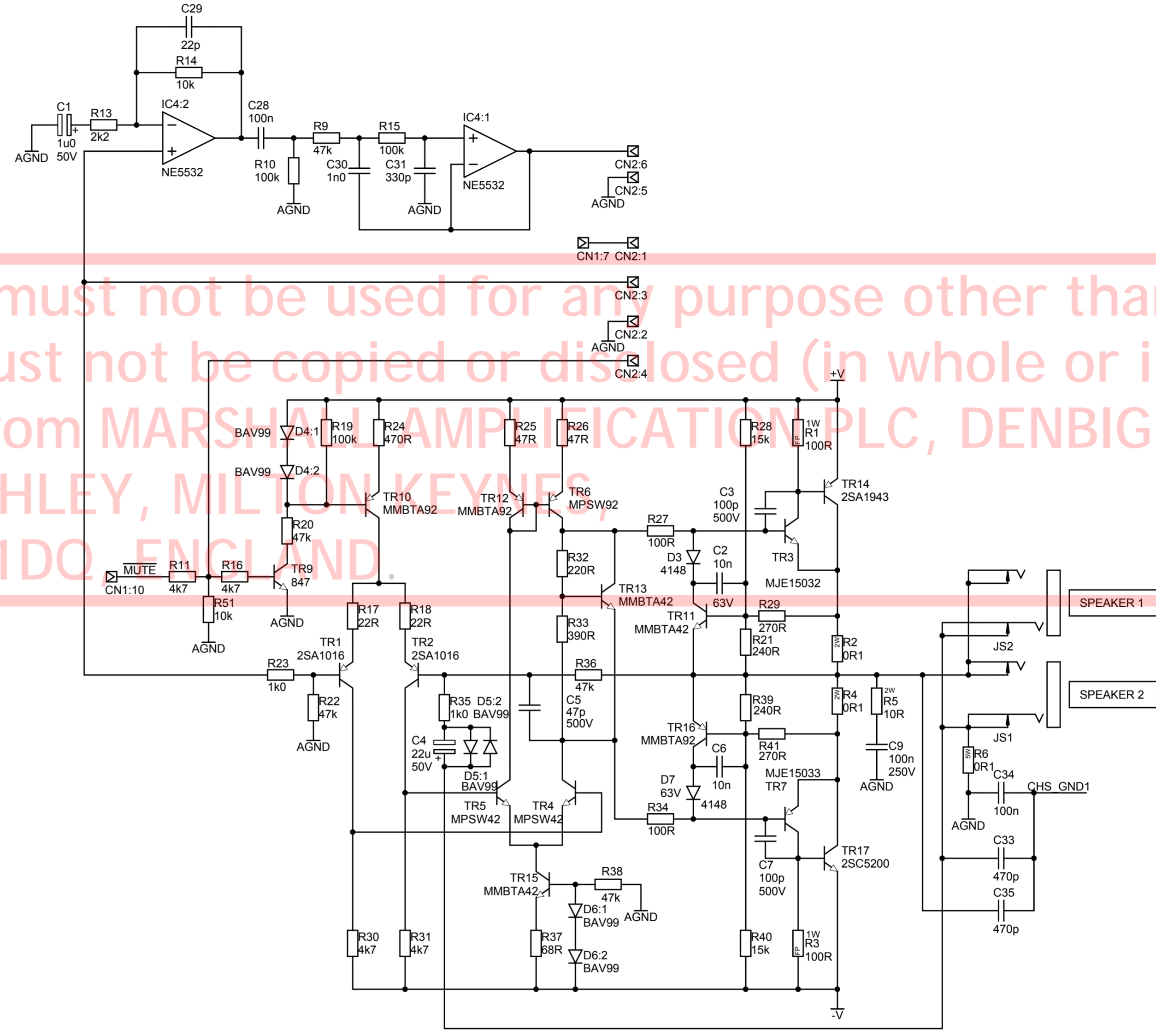
MG100FX/MG50FX	
----------------	--



TITLE		DIGITAL SECTION	
DWG. No.	ISS	Sheet	
MG100FX-60-02	1	2 of 2	
Date: 24/02/2009		File: MG100FXSheet2.SchDoc	



Copyright exists in this document. It must not be used for any purpose other than that for which it is supplied and must not be copied or disclosed (in whole or in part) without written permission from MARSHALL AMPLIFICATION PLC, DENBIGH ROAD, BLETCHLEY, MILTON KEYNES MK1 1DQ, ENGLAND.



ISS	ECO NUMBER	DATE

MATERIAL		DIMENSIONS IN mm	
MATERIAL THICKNESS		TOLERANCE (UNLESS OTHERWISE STATED)	
DRAWN SA	DATE 18.06.08	HOLE DIA = +/-	
CHECKED	DATE	DIMENSIONAL = +/-	
APPROVED	DATE	MODEL	
		MG100FX	

Marshall

MARSHALL AMPLIFICATION PLC
DENBIGH ROAD, BLETCHLEY, MILTON KEYNES, MK1 1DQ.
TEL (01908) 375411 FAX (01908) 376118

TITLE
POWER AMPLIFIER

DWG. No. MG100FX-61-02	ISS 1	Sheet 1 of 1
---------------------------	----------	-----------------

File: MG100PASheet1.SchDoc Date: 24/02/2009