



# Service Manual

Created: 10 November 2017



## KM1700

### Professional 1700-Watt Stereo Power Amplifier with ATR (Accelerated Transient Response)

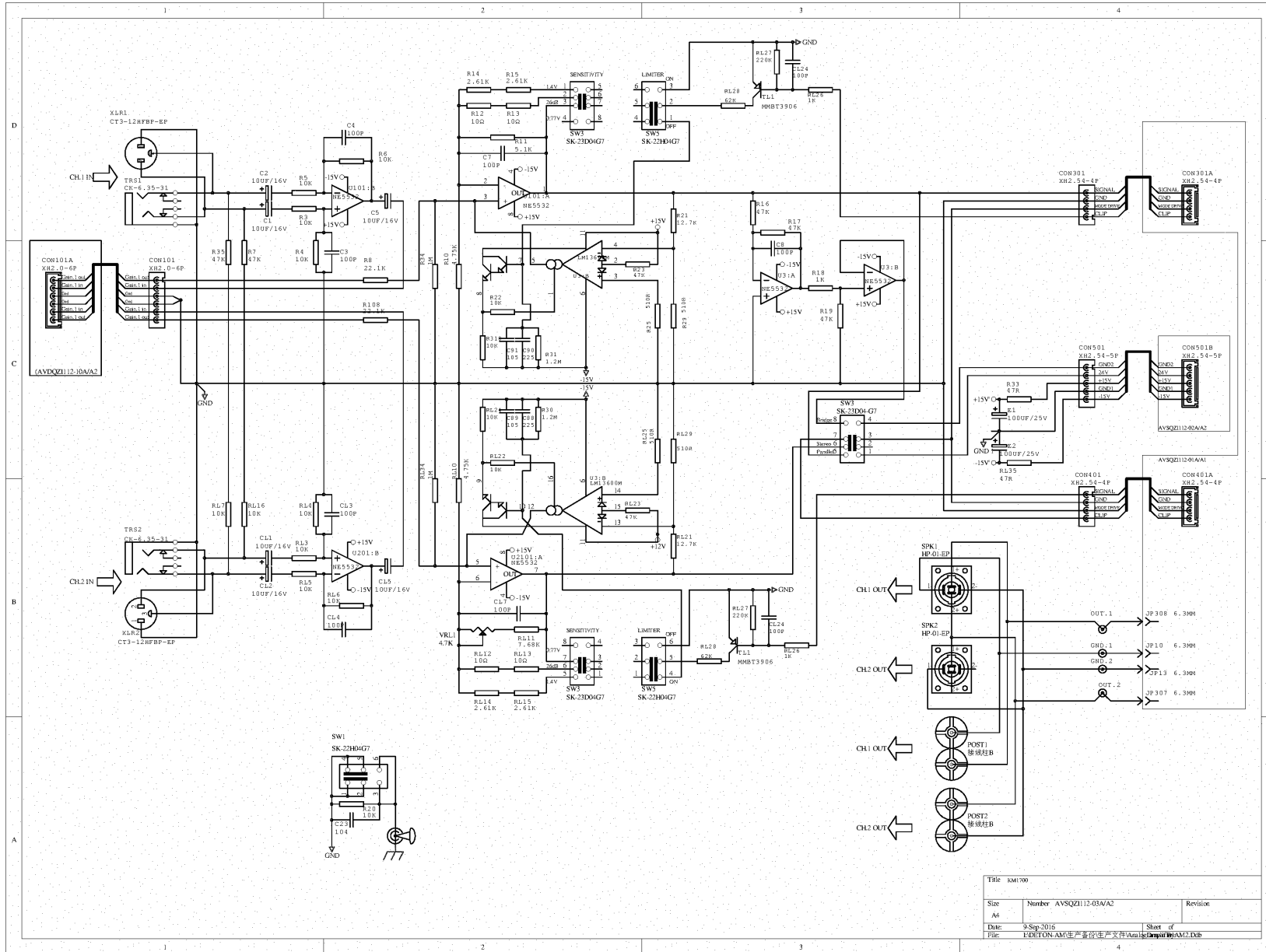
Specifications .....	2
PCB Schematic .....	3
Parts List .....	10

© 2017 MUSIC Group IP Ltd. All third party trademarks mentioned belong to their respective owners and are not affiliated with MUSIC Group IP Ltd. All information (including drawings and diagrams) contained in this document is the property of MUSIC Group IP Ltd., its subsidiaries or content providers, and is protected by intellectual property (copyright, trademark, patents, etc) laws, international treaty provisions and other laws. Any unauthorized disclosure, use, application, reproduction, modification, lease, sale, transmission or any other dealings in the information may violate applicable laws and result in civil and/or (where applicable) criminal liabilities and penalties.

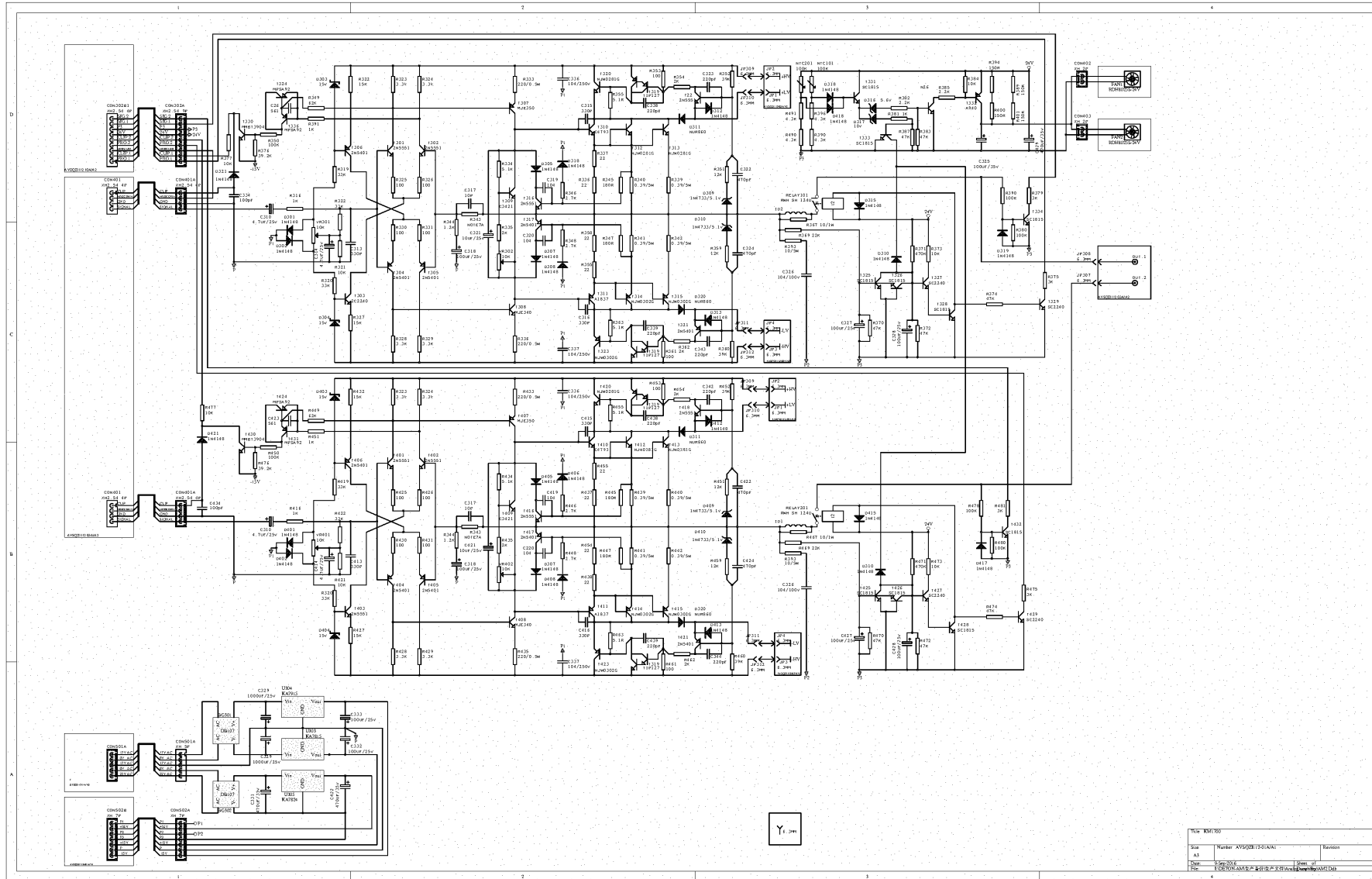
# KM1700

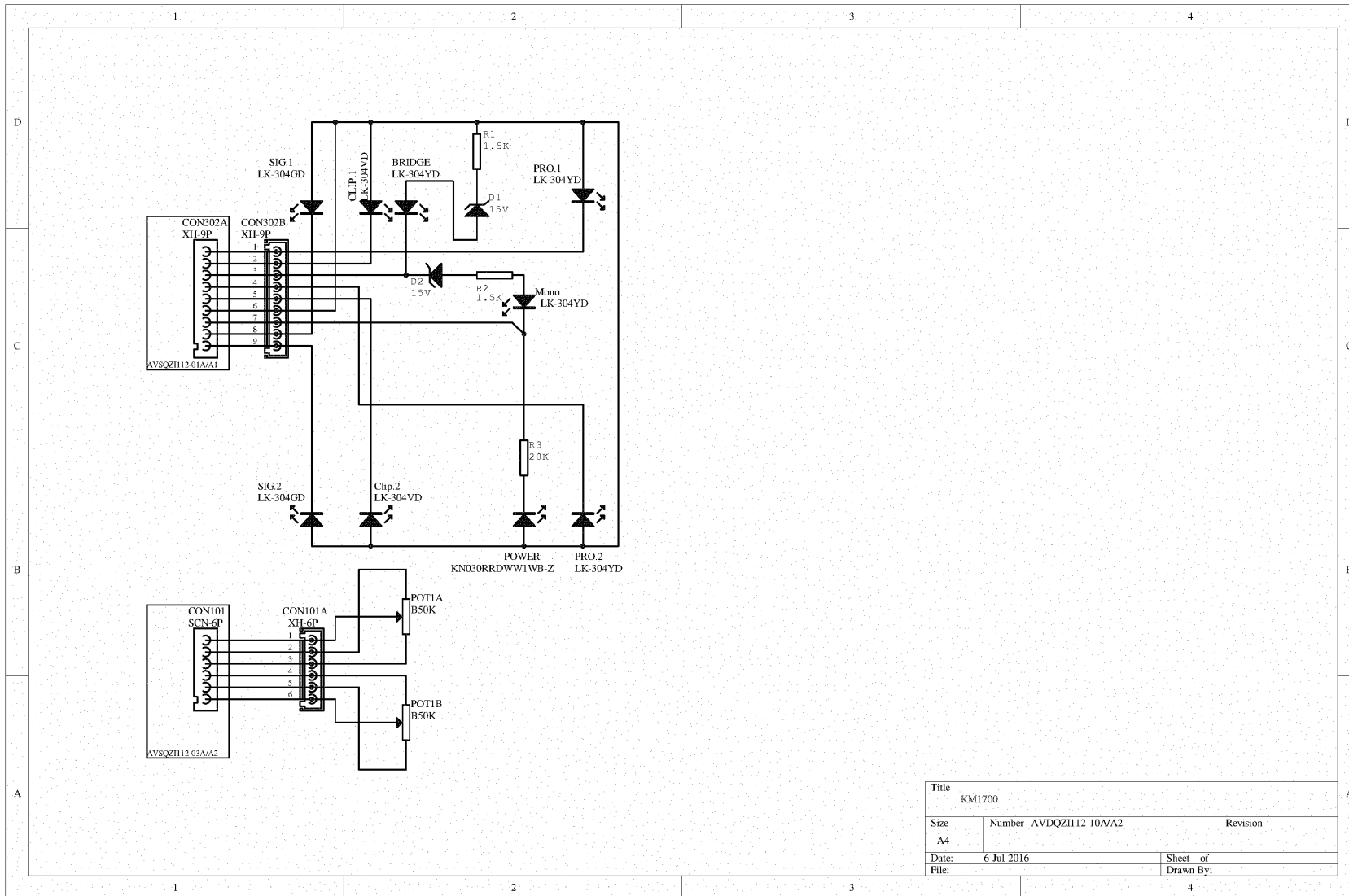
## Specifications

- 2 x 800 Watts into 4 Ohms; 2 x 500 Watts into 8 Ohms; 1700 Watts into 8 Ohms (bridge mode)
- ATR (Accelerated Transient Response) technology for ultimate punch and clarity
- Switchable limiters offer maximum output level with reliable overload protection
- Precise power, signal and clip LEDs to monitor performance
- XLR and 1/4" TRS input connectors for compatibility with any source
- Professional speaker connectors and "touch-proof" binding posts support most speaker wiring systems
- Independent DC and short circuit protection on each channel automatically protects amplifier and speakers
- High-current toroidal transformer for ultra-high transient response and absolute reliability
- "Front to back" ventilation for reliable operation
- "Built-like-a-tank" impact-resistant, all-steel 2U rackmount chassis
- 3-Year Warranty Program\*
- Designed and engineered in Germany

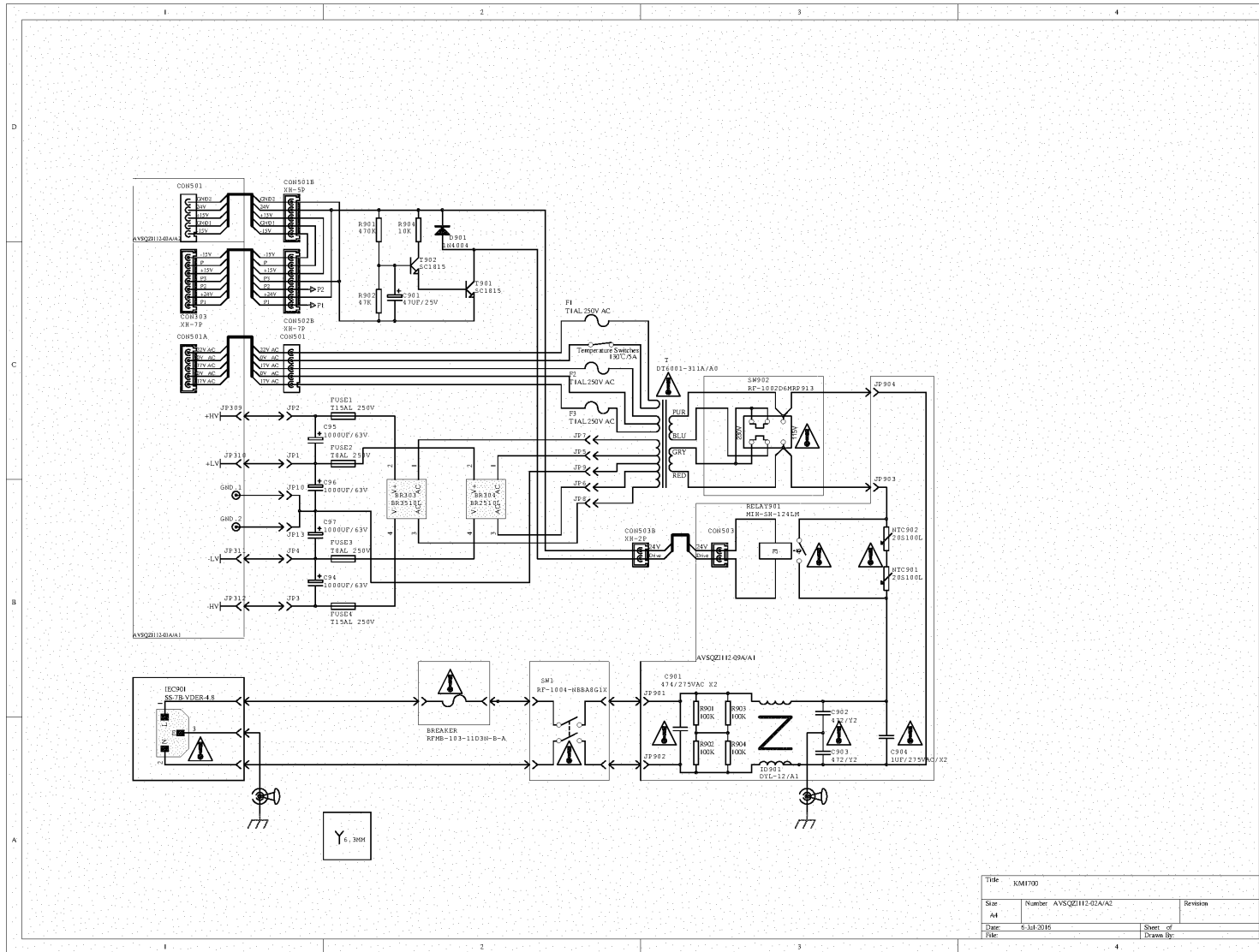


Title km1700		
Size	Number AVSQQ112-03A/A2	Revision
A4		
Date	9-Sep-2015	Sheet of
File	E:\EPCON\AK\生产准备\生产文件\Amib\Amib\PCB\KM1700.Dxb	

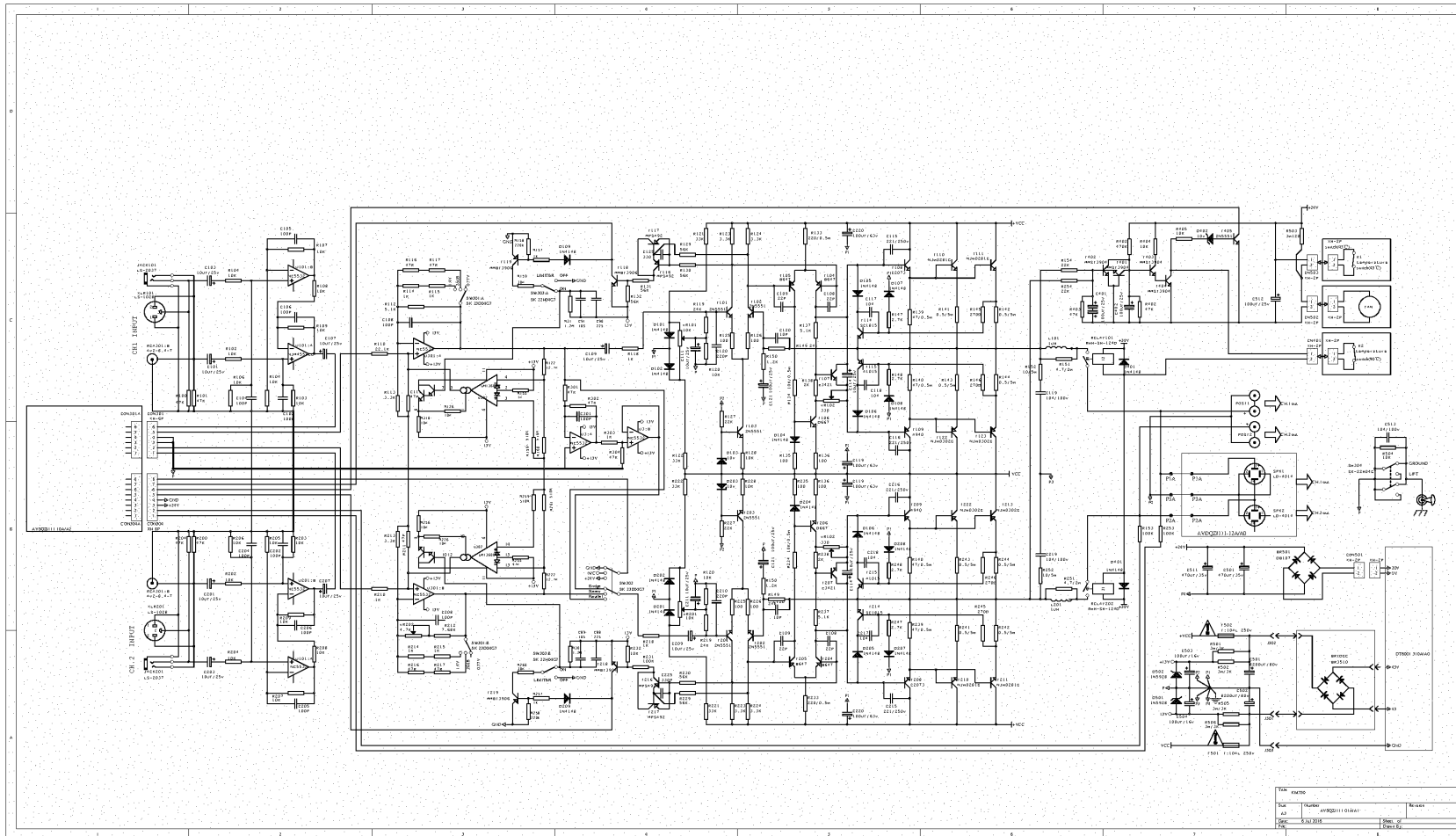


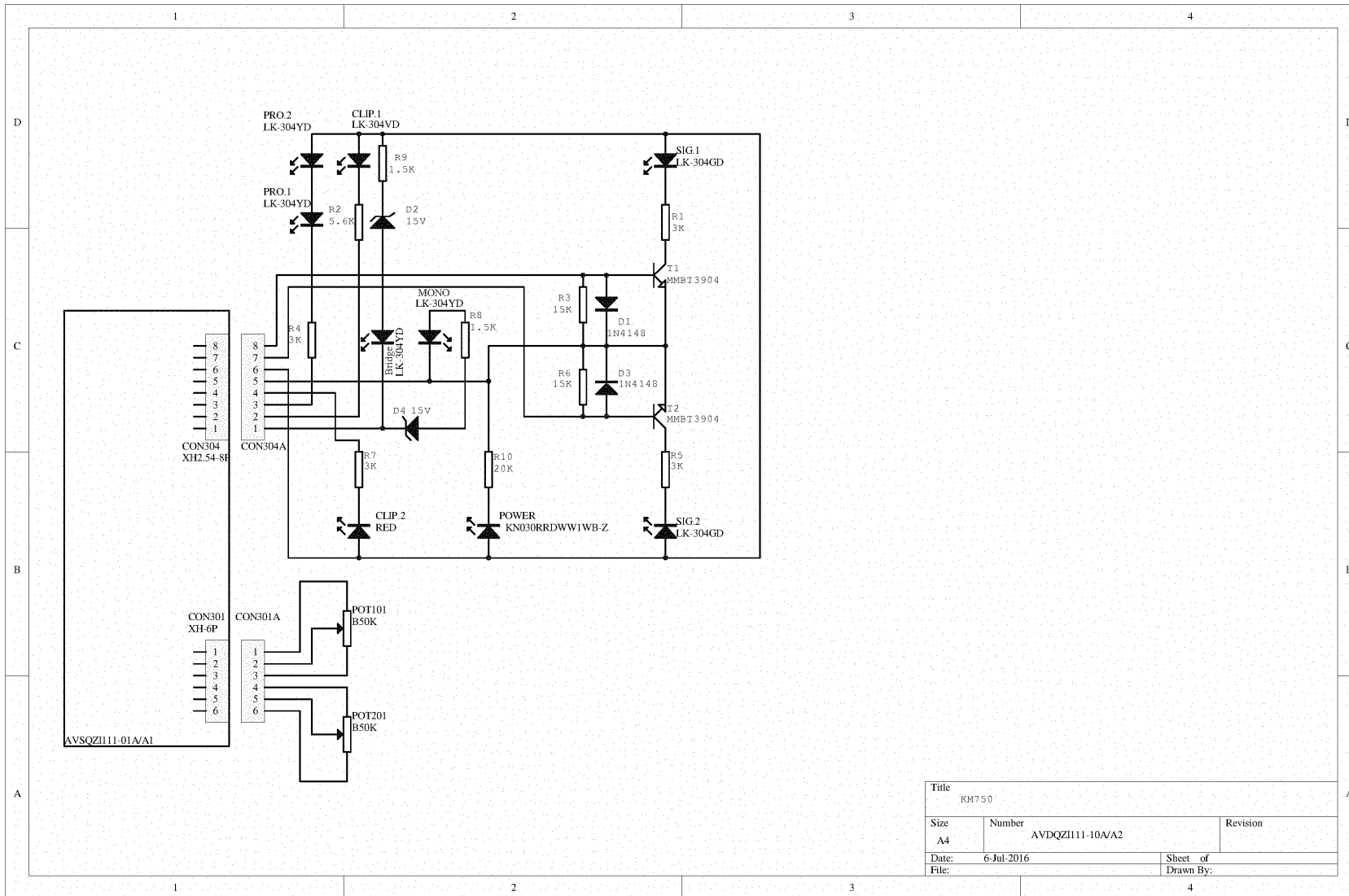


Title		
KM1700		
Size	Number	Revision
A4	AVDQZI112-10/A2	
Date:	6-Jul-2016	Sheet of
File:		Drawn By:



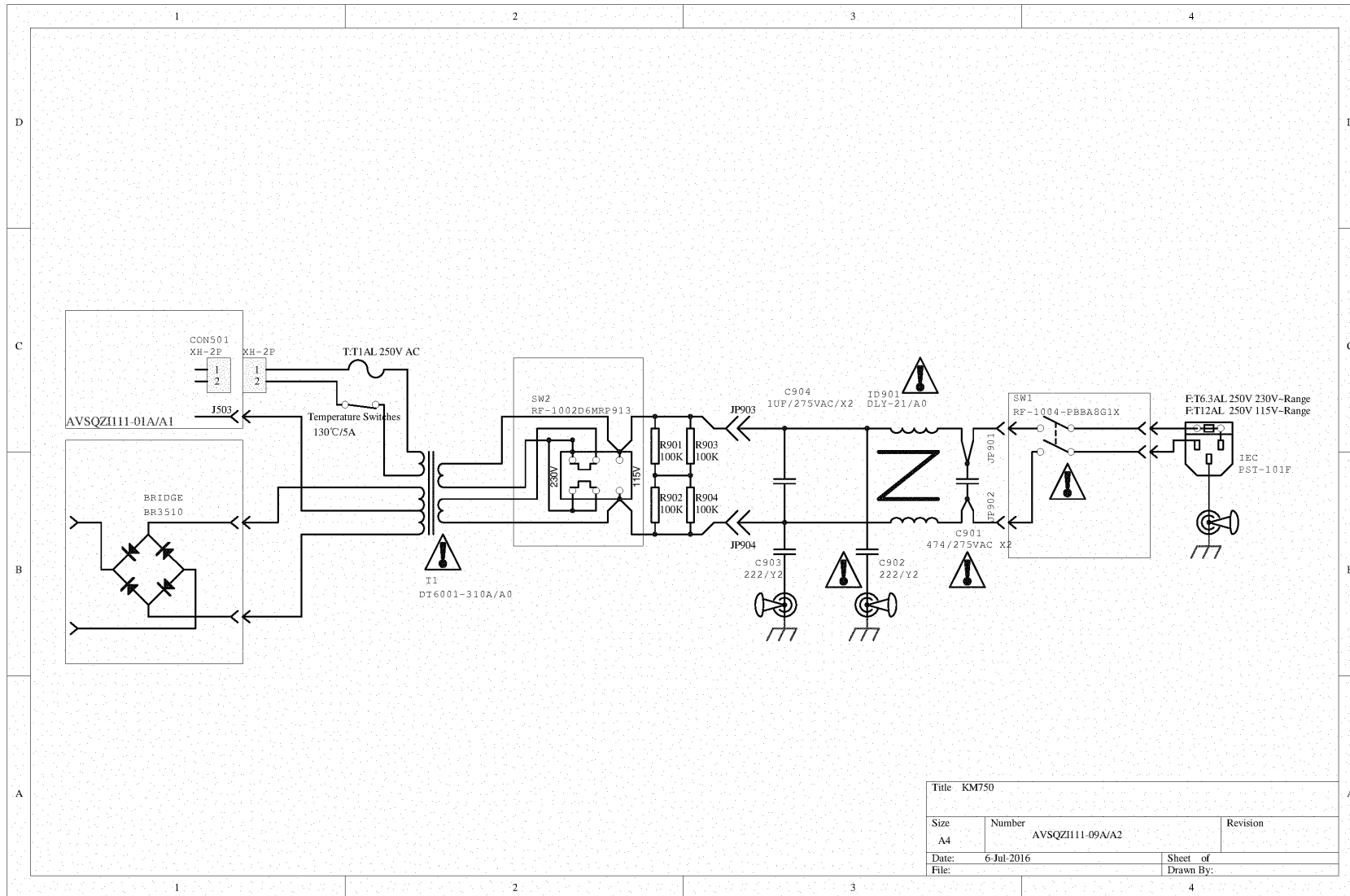
Title	KM1700	
Ser	Number	AVSQZ112-02A/A2
A4	Revision	
Date	5-Jul-2016	Sheet of
File		Drawn By





Title		
KM750		
Size	Number	Revision
A4	AVDQZI111-10/A2	
Date:	6-Jul-2016	Sheet of
File:		Drawn By:





## Service Assemblies

	Quantity	Unit	S.Sku	M.Sku	Description	Reference Designators	Notes
1			Q33-00001-61208	A33-00001-61208	OEM;MISCELLANEOUS;POBRJ CONTROL ASSEMBLY PCBA05;Y.Z.I112.10A	[EXTRA SPARE]	
2			Q33-00001-61203	A33-00001-61203	OEM;MISCELLANEOUS;POBRJ PSU ASSEMBLY PCBA02;Y.Z.I112.02A	[EXTRA SPARE]	
3			Q33-00001-61200	A33-00001-61200	OEM;MISCELLANEOUS;POBRJ MAIN ASSEMBLY PCBA01;Y.Z.I112.01A	[EXTRA SPARE]	
4			Q31-00001-61100	A31-00001-61100	OEM;FAN;BRUSHLESS;TD802524MS;B.S.B.A.0800006	[EXTRA SPARE]	
5			Q33-00001-61204	A33-00001-61204	OEM;MISCELLANEOUS;POBRJ MAINS INPUT ASSEMBLY PCBA03;Y.Z.I112.09A	[EXTRA SPARE]	
6			Q33-00001-61206	A33-00001-61206	OEM;MISCELLANEOUS;POBRJ INUPUT OUTPUT ASSEMBLY PCBA04;Y.Z.I112.03A	[EXTRA SPARE]	

## Cable

	Quantity	Unit	S.Sku	M.Sku	Description	Reference Designators	Notes
1			Q81-00001-61211	A81-00001-61211	OEM;WIRE HARNESS;LENGTH:280 MM;AWG:26;UL2468;PITCH:2.54 MM;POLES:9;FLAT CABLE;BGB-0309-26-0280;B.G.B.0309260280	[EXTRA SPARE]	
2	1.0000	PC	Q76-00000-13573	A76-00000-13573	CABLE;AC-CORD;3;AR;1500 MM;Plug + Connector:321+730;H05VV-F 3G0.75		(AR)
3	1.0000	PC	Q76-15032-55649	A76-15032-55649	CABLE;AC-CORD;CLASS II;W/POLYBAG;JAPAN;LENGTH:150cm;POLES:3;APPROVAL:PSE;JS15S 3 + VCTF 3x0.75mm2 + V1528		(JPSH, JPMG)
4	1.0000	PC	Q76-15042-05624	A76-15042-05624	CABLE;AC-CORD;W/POLYBAG;LENGTH:150cm;H05VV- F3G0.75MM2;VERSION;UK;SPEC.NO:05624		(UK)
5	1.0000	PC	Q76-18050-47490	A76-18050-47490	CABLE;AC-CORD;LENGTH:180cm;VERSION:SAA;PLUG;HE105 ISOLATED;SAA H05VV-F 3x0.75mm2;CONN.HP-3;SPEC.NO:47490		(SAA)
6	1.0000	PC	Q76-15222-06417	A76-15222-06417	CABLE;AC- CORD;W/POLYBAG;LENGTH:152cm;AWG:18;VERSION;UL;SPEC.NO:0 6417		(UL)
7	1.0000	PC	Q76-00000-05305	A76-00000-05305	CABLE;AC-CORD;3;BR;1500 MM;Plug + Connector:375+730;H05VV-F 3G0.75		(BR)
8	1.0000	PC	Q76-15212-03119	A76-15212-03119	CABLE;AC-CORD;W/POLYBAG;LENGTH:152cm;H05VV-F 3G 0.75MM2;VERSION;EU;SPEC.NO:03119		(EU)

## Connector

	Quantity	Unit	S.Sku	M.Sku	Description	Reference Designators	Notes
1			R80-00001-61069	B80-00001-61069	OEM;SPEAKON;SPEAKON SOCKET;HP-01-EP;A.K.S.L.0000010	[EXTRA SPARE]	
2			R95-00001-61096	B95-00001-61096	OEM;CONNECTOR;XLR;POLES:3;XLR SOCKET;CT3-12HFBP- EP;A.K.G.L.0020002	[EXTRA SPARE]	

## Led

	Quantity	Unit	S.Sku	M.Sku	Description	Reference Designators	Notes
1			U10-00001-61074	E10-00001-61074	OEM;LED HIB;3mm0 ROUND;YELLOW;LED (YELLOW);NO RING;304YD/06;A.A.P.0003.Y104	[EXTRA SPARE]	
2			U10-00001-61076	E10-00001-61076	OEM;LED HIB;3mm0 ROUND;RED;LED (RED);NO RING;304VD/06;A.A.P.0003.R102	[EXTRA SPARE]	
3			U10-00001-61078	E10-00001-61078	LED HIB;3mm0 ROUND;WHITE;OEM;LED (WHITE);NO RING;KN030RRDWW1WB-Z;A.A.P.0003.W309	[EXTRA SPARE]	
4			U10-00001-61077	E10-00001-61077	OEM;LED HIB;3mm0 ROUND;GREEN;LED (GREEN);NO RING;304GD/06;A.A.P.0003.G105	[EXTRA SPARE]	

**Metal Part**

	Quantity	Unit	S.Sku	M.Sku	Description	Reference Designators	Notes
1			Q60-00001-64903	A60-00001-64903	METAL;GRILL;POBRI;MATERIAL:STEEL;BENDING;ELECTRO-PLATING ZINC;WHITE;BRIGHT NICKEL CHROME FAN GUARD	[EXTRA SPARE]	

**Plastic Part**

	Quantity	Unit	S.Sku	M.Sku	Description	Reference Designators	Notes
1			W52-00001-64901	G52-00001-64901	PLASTIC;KNOB;POBRI;ABS	[EXTRA SPARE]	
2			W57-00001-64900	G57-00001-64900	PLASTIC STACK;TERMINAL;POBRI;ABS;PLASTIC;RED BLACK;WIRING TERMINAL	[EXTRA SPARE]	

**Plug Socket**

	Quantity	Unit	S.Sku	M.Sku	Description	Reference Designators	Notes
1			W67-00001-61098	G67-00001-61098	OEM;SOCKET;POLES;3;AC POWER SOCKE;SS-7B-VDER-4.8;A.K.D.L.0000017	[EXTRA SPARE]	
2			W64-00001-61097	G64-00001-61097	OEM;PLUG;JACK;JACK STEREO 6mm3;POLES;5;JACK SOCKET (1/4");PJ-620H-EP;A.K.M.L.0000003	[EXTRA SPARE]	

**Power Supply**

	Quantity	Unit	S.Sku	M.Sku	Description	Reference Designators	Notes
1			Z68-00001-61099	J68-00001-61099	OEM;TRAFO;TOROIDAL;POBRI;MAINS TRANSFORMER;DT6001-311A/A1;A.B.Y.A.F411201	[EXTRA SPARE]	

**Potentiometer**

	Quantity	Unit	S.Sku	M.Sku	Description	Reference Designators	Notes
1			Y03-00001-61072	I03-00001-61072	OEM;POTENTIOMETER;50 kohm;0W125;TAPER;B;20 %;MONO;PITCH;5 MM;RV16AF-30-25K-B50K-3F;A.W.5C.A.503AD31G1;41CC;METAL;SHAFT 25MM;	[EXTRA SPARE]	

**Switch**

	Quantity	Unit	S.Sku	M.Sku	Description	Reference Designators	Notes
1			Y84-00001-61060	I84-00001-61060	OEM;SWITCH;ROCKER;2P;1T;LOCKING;NONSHORT;4L;ON/OFF POWERSWITCH;RF-1004-NBBG8G1X;A.H.DS.0000027	[EXTRA SPARE]	



We Hear You