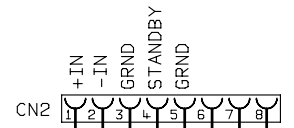
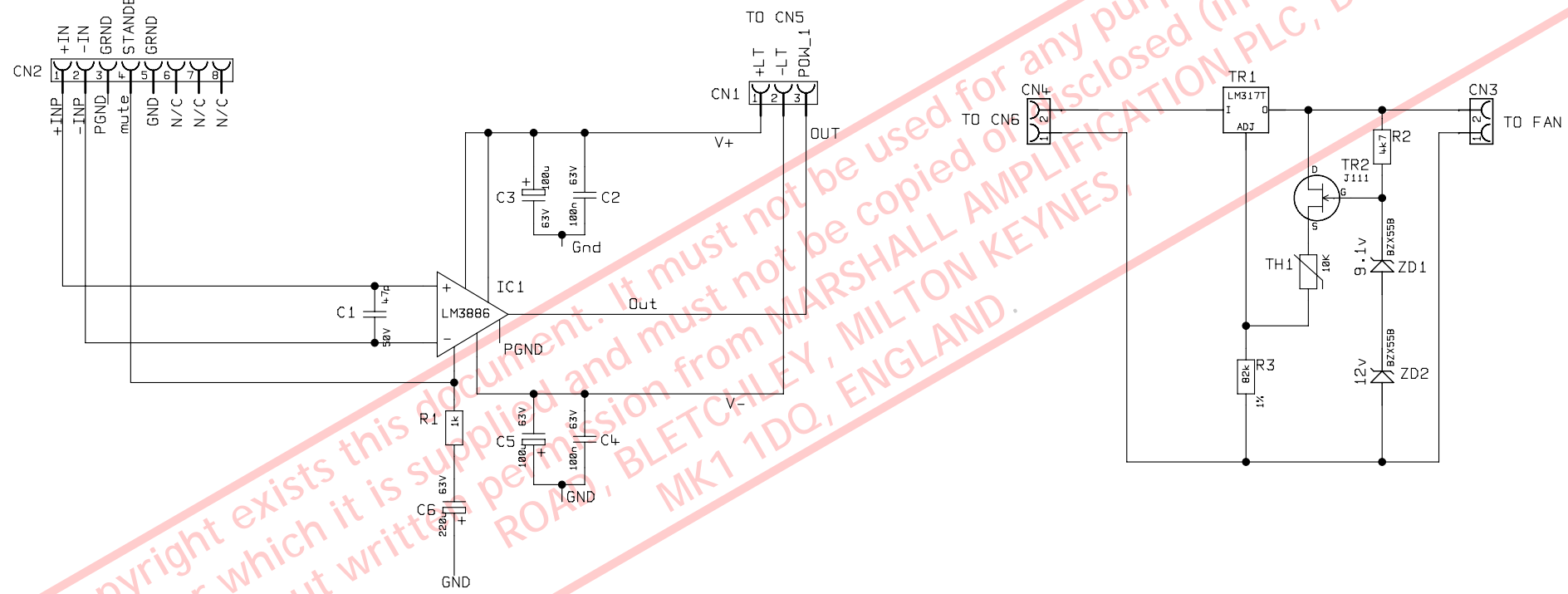
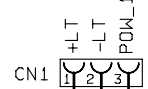


DWG.No. AVT50X-62-02

TO CN4 ON FRONT PCB



TO CN5



Copyright exists in this document. It must not be used for any purpose other than that for which it is supplied and must not be copied or disclosed (in whole or in part) without written permission from MARSHALL AMPLIFICATION PLC, DENBIGH ROAD, BLETCHLEY, MILTON KEYNES, MK1 1DQ, ENGLAND.

DRAWN H.GILES	DATE 22SEP05					 <small>MARSHALL AMPLIFICATION PLC          DENBIGH ROAD, BLETCHLEY, MILTON KEYNES, MK1 1DQ.          TEL (01908) 375111 FAX (01908) 375118</small>	TITLE POWER AMP CIRCUIT DIAGRAM	
MODEL AVT50X/AVT50HX	ISS 2	ECO No. 2711	CHKD	DATE 09DEC05	DWG.No AVT50X-62-02		ISS 2	