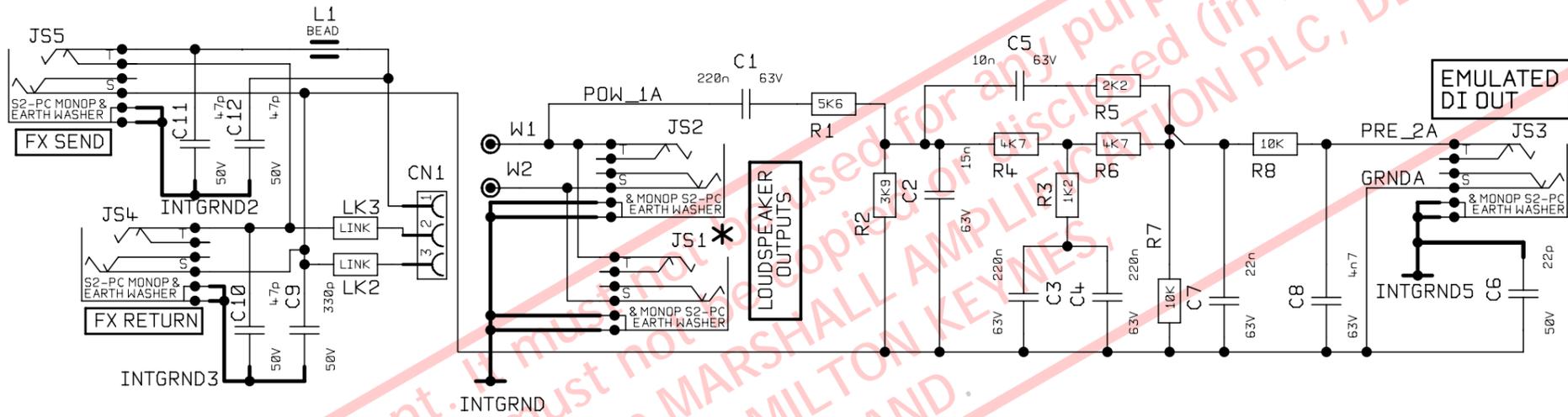
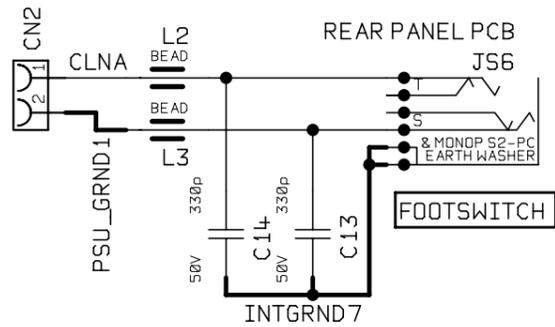


DWG.No. AVT50-61-02



* NOTE:- JS1 NOT FITTED ON AVT50 COMBO



Copyright exists this document. It must not be copied or used for any purpose other than that for which it is supplied and must not be reproduced or disclosed (in whole or in part) without written permission from MARSHALL AMPLIFICATION PLC, DENBIGH ROAD, BLETCHLEY, MILTON KEYNES, ENGLAND.

		ALL OTHER HOLES =		X = (THROUGH PLATED)		MATERIAL		DIMENSIONS IN		 <p>MARSHALL AMPLIFICATION PLC DENBIGH ROAD, BLETCHLEY, MILTON KEYNES, MK1 1DQ. TEL (01908) 375411 FAX (01908) 376118</p>		TITLE JACKSOCKET PCB CIRCUIT DIAGRAM	
1	PRODUCTION	24/03/00	A	E	J	N	MATERIAL THICKNESS	TOLERANCE (UNLESS OTHERWISE STATED)				DWG.No AVT50-61-02	
A	PRE-PRODUCTION		B	F	K	P	DRAWN	DATE		MODEL AVT50			
ISS	ECO NUMBER	DATE	C	G	L	Q	CHECKED	DATE					
			D	H	M	R	APPROVED	DATE					