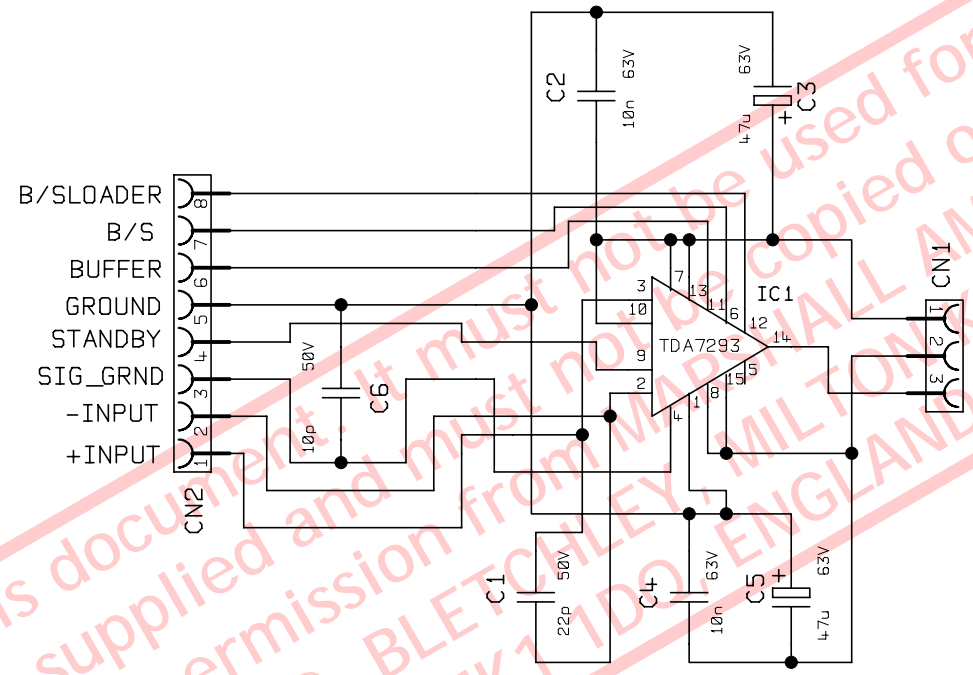



A B C D E F G H

DWG.No. AVT50-62-02



Copyright exists in this document. It must not be used for any purpose other than that for which it is supplied and must not be copied or disclosed (in whole or in part) without written permission from MARSHALL AMPLIFICATION PLC, DENBIGH ROAD, BLETCHLEY, MILTON KEYNES, MK1 1DD ENGLAND.

		ALL OTHER HOLES = X = (THROUGH PLATED)								MATERIAL		DIMENSIONS IN		 © MARSHALL AMPLIFICATION PLC DENBIGH ROAD, BLETCHLEY, MILTON KEYNES, MK1 1DD. TEL (01908) 375411 FAX (01908) 376118		TITLE AVT POWER MODULE SCHEMATIC	
1	C6 ADDED	26/01/00	A	E	J	N				MATERIAL THICKNESS	TOLERANCE (UNLESS OTHERWISE STATED)		DWG.No AVT50-62-02			ISS 1	
A	PRE-PRODUCTION		B	F	K	P				DRAWN SG	DATE 2/9/99	MODEL AVT50,AVT100,AVT150 AVT150H & AVT275					
ISS	ECO NUMBER	DATE	C	G	L	Q				CHECKED	DATE						
			D	H	M	R				APPROVED	DATE						

A B C D E F G H