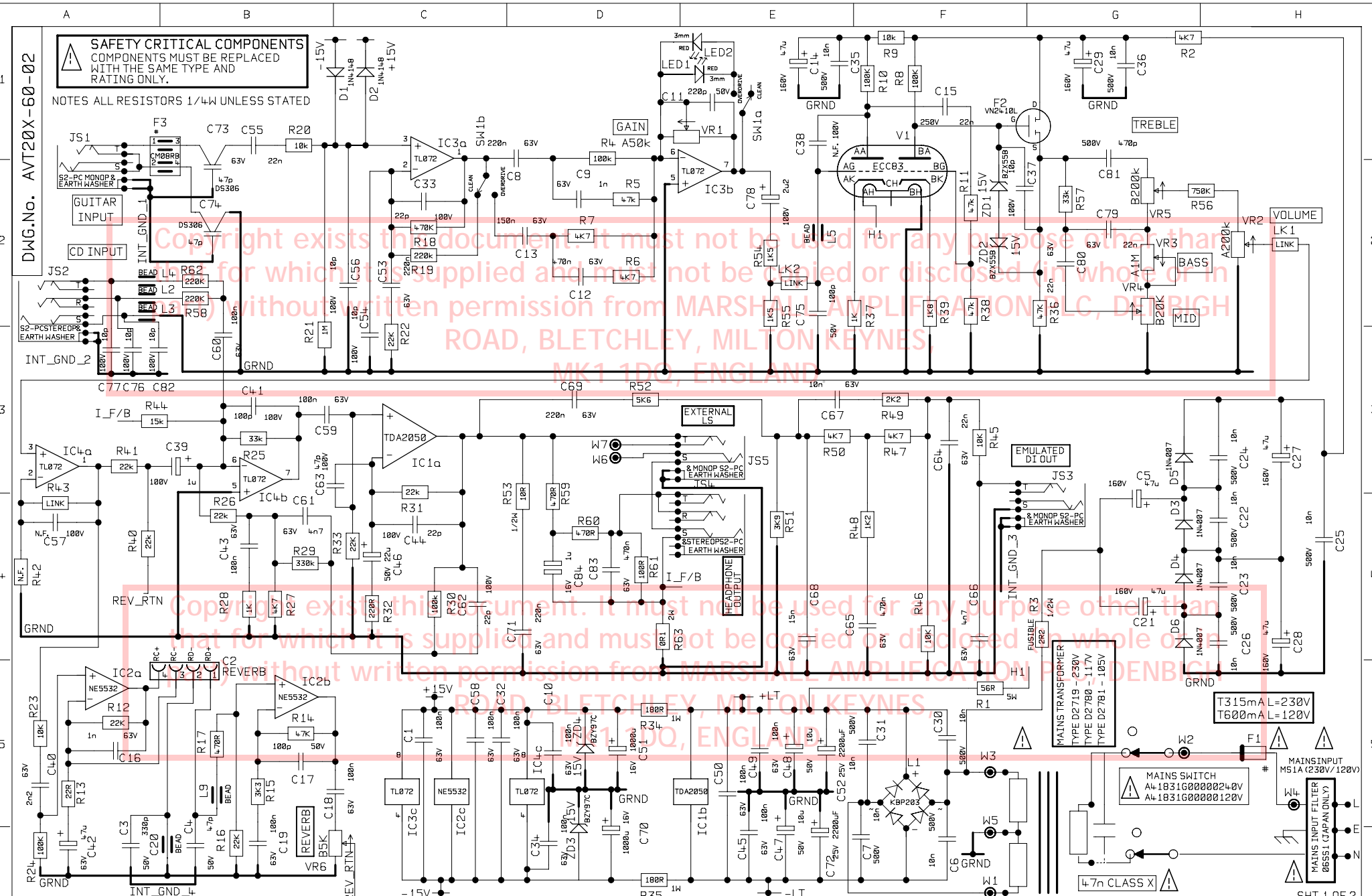


DWG.No. AVT20X-60-02

SAFETY CRITICAL COMPONENTS
COMPONENTS MUST BE REPLACED
WITH THE SAME TYPE AND
RATING ONLY.

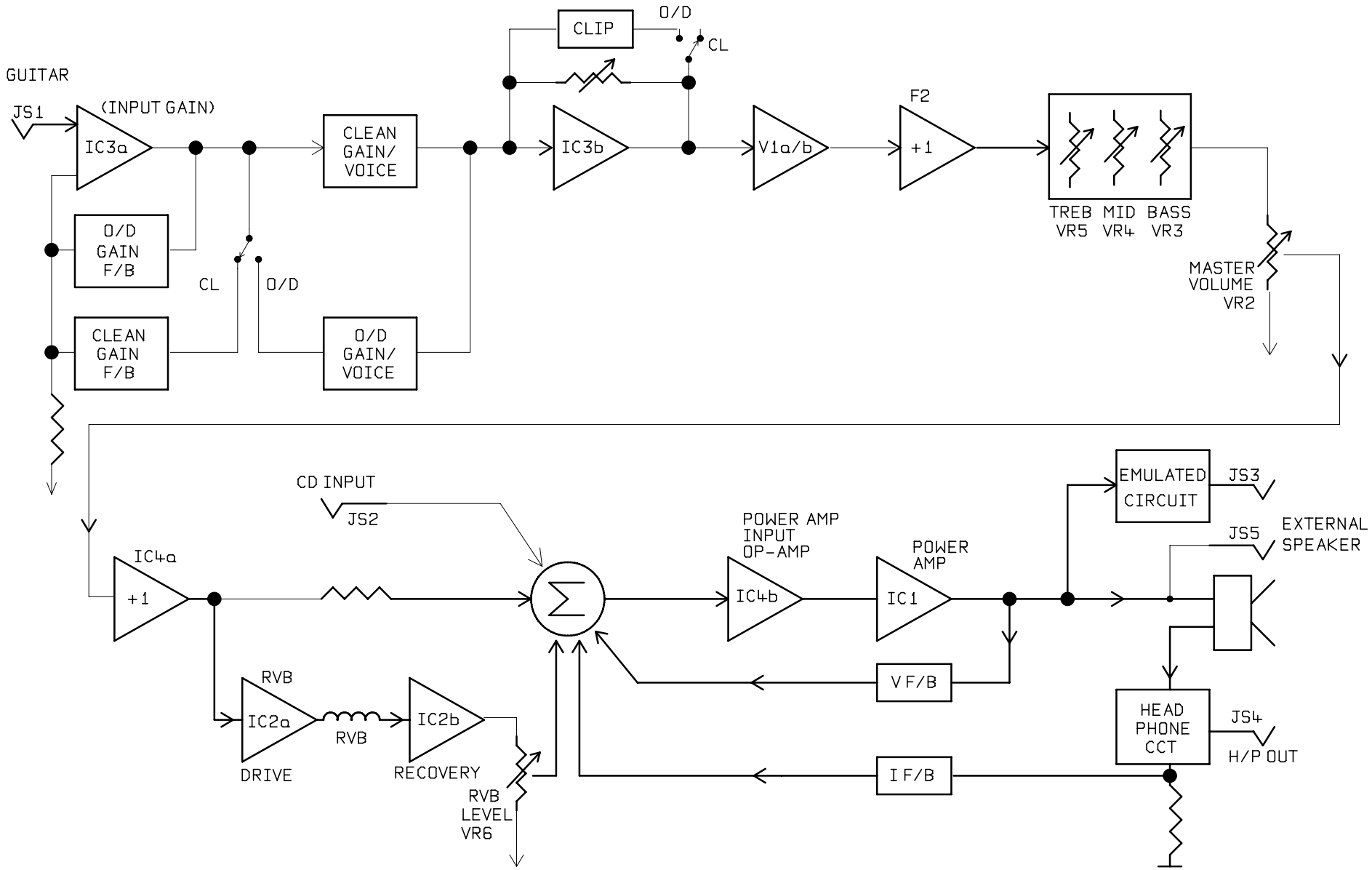
NOTES ALL RESISTORS 1/4W UNLESS STATED



ISS		ECO NUMBER	DATE	ALL OTHER HOLES =		X = (THROUGH PLATED)		MATERIAL		DIMENSIONS IN		TITLE	
A	B	C	D	A	F	J	N	MATERIAL THICKNESS	TOLERANCE (UNLESS OTHERWISE STATED)	Marshall		PRE-AMP PCB	
				E	T	K	P	DRAWN A.G.	DATE 31/08/05			CIRCUIT DIAGRAM	
				G	H	L	Q	CHECKED	DATE	MODEL AVT20X		DWG.No AVT20X-60-02	
				I		M	R	APPROVED	DATE	© MARSHALL AMPLIFICATION PLC DENNIGHT ROAD, BLETCHLEY, MILTON KEYNES, MK1 1DQ, ENGLAND TEL (01908) 375411 FAX (01908) 376110		ISS 1	

SHT 1 OF 2

DWG.No. AVT20X-60-02



SHT 2 OF 2

ALL OTHER HOLES =													X = (THROUGH PLATED)													MATERIAL			DIMENSIONS IN			<p>© MARSHALL AMPLIFICATION PLC DENBIGH ROAD, BLETCHLEY, MILTON KEYNES, MK1 10Q. TEL: (01508) 376111 FAX: (01508) 376118</p>			TITLE			ISS					
A													B													DRAWN A.G			DATE 31/08/05						AVT20X			AVT20X			1		
C													D													CHECKED			DATE														
E													F													APPROVED			DATE														
G													H																														