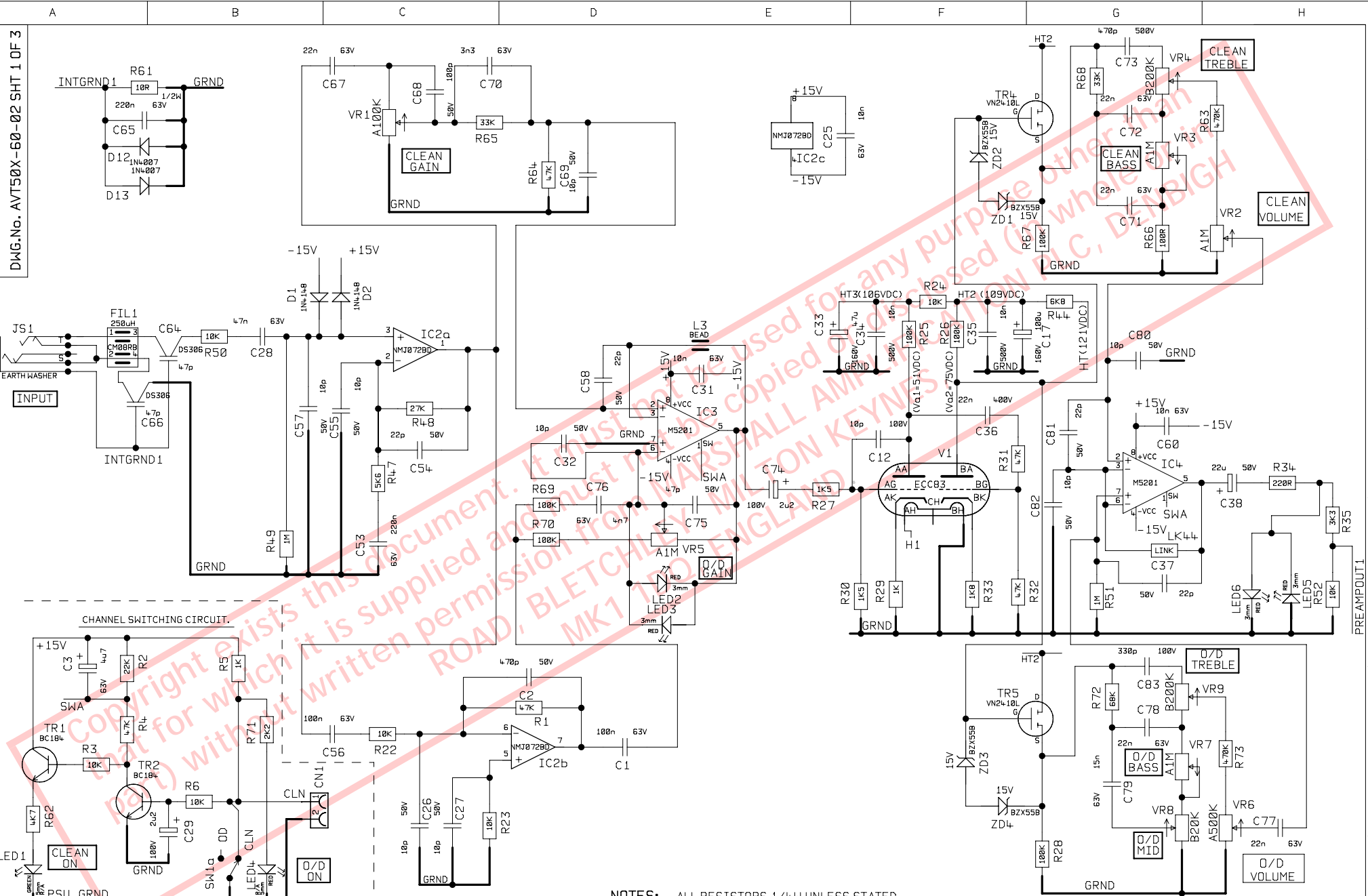


DWG.No. AVT50X-60-02 SHT 1 OF 3



NOTES:- ALL RESISTORS 1/4W UNLESS STATED

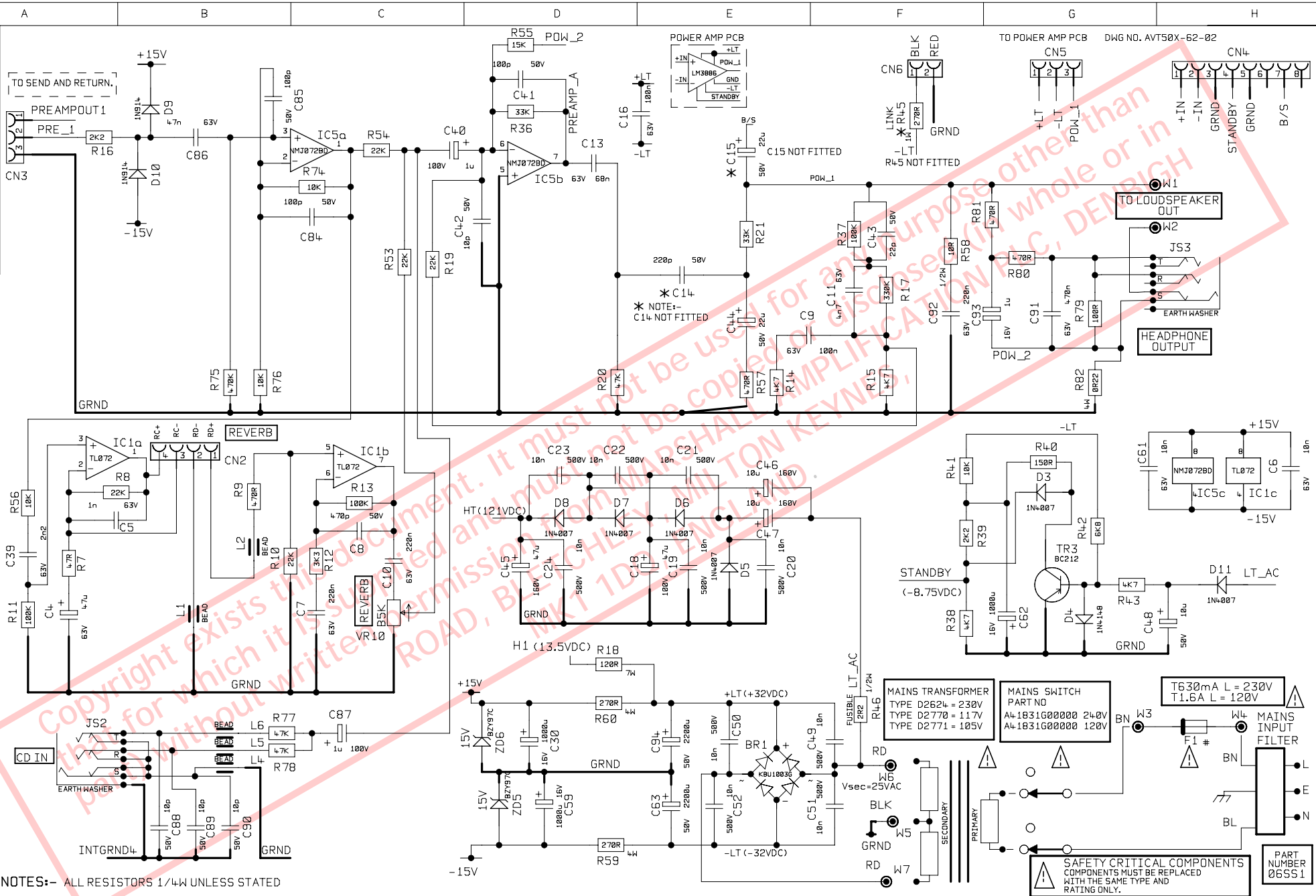
ALL OTHER HOLES =		X = (THROUGH PLATED)	
A	F	J	N
B	G	K	P
C	H	L	Q
D		M	R

MATERIAL	DIMENSIONS IN
MATERIAL THICKNESS	TOLERANCE (UNLESS OTHERWISE STATED)
DRAWN H.GILES	DATE 22JUL05
CHECKED	DATE
APPROVED	DATE
AVT50X/AVT50HX	



TITLE	PRE-AMP PCB	SHEET 1 OF 3
DWG.No	AVT50X-60-02	ISS 1

DWG.No. AVT50X-60-02 SHT 2 OF 3



NOTES:- ALL RESISTORS 1/4W UNLESS STATED

SAFETY CRITICAL COMPONENTS MUST BE REPLACED WITH THE SAME TYPE AND RATING ONLY.

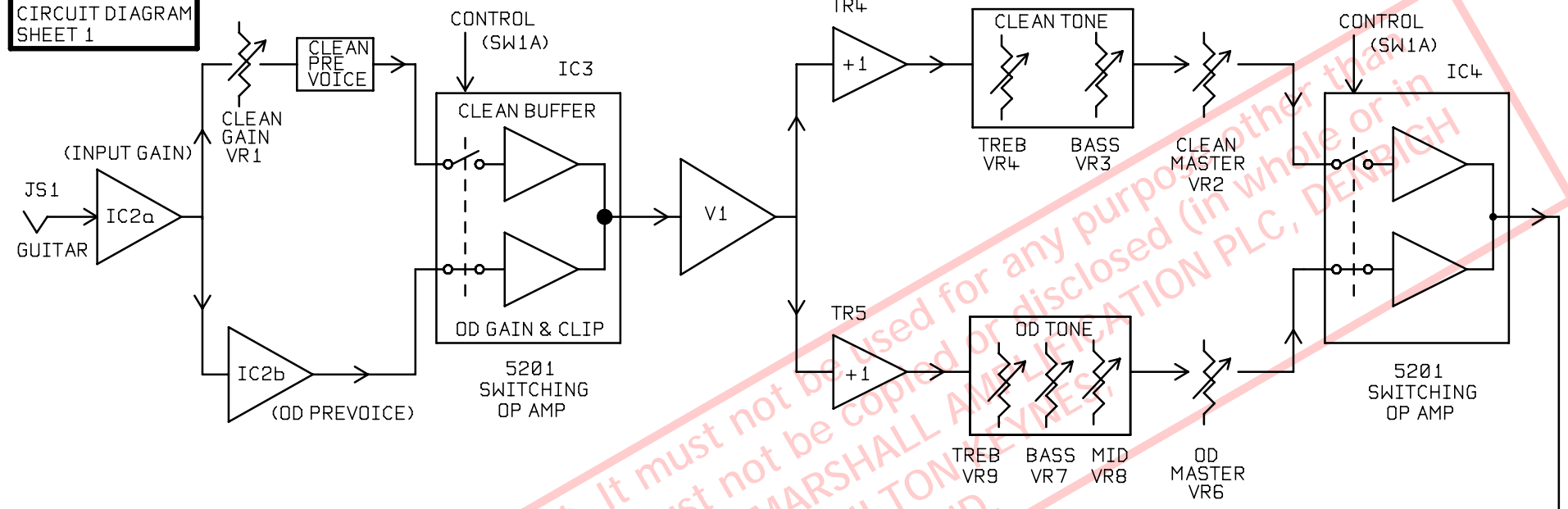
ISS		ECO NUMBER	DATE	ALL OTHER HOLES =		X = (THROUGH PLATED)		MATERIAL		DIMENSIONS IN		TITLE		SHEET 2 OF 3					
A	B	C	D	E	F	G	H	J	K	L	M	N	P	Q	R	POWER AMP / SUPPLY CIRCUIT DIAGRAM		ISS 1	
				DRAWN H.GILES				DATE 22JUL05				MODEL AVT50X/AVT50HX				MARSHALL AMPLIFICATION PLC			
				CHECKED				DATE				DENOUGH ROAD, BLETCHELY, MILTON KEYNES, MK1 10Q.				TEL: 01908 375611 FAX: 01908 376110			
				APPROVED				DATE				PART NUMBER 06551				DWG.No AVT50X-60-02			



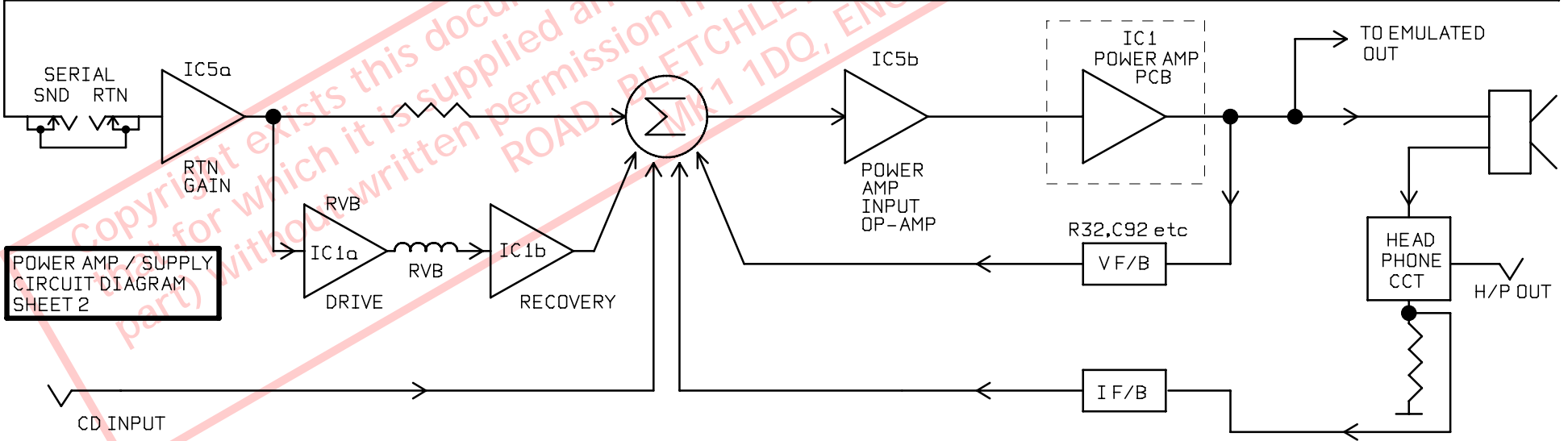
TO SEND AND RETURN.
TO LOUDSPEAKER OUT
HEADPHONE OUTPUT
MAINS TRANSFORMER TYPE D262L = 230V TYPE D2770 = 117V TYPE D2771 = 105V
MAINS SWITCH PART NO A4.1831G00000 24-0V A4.1831G00000 120V
T630mA L = 230V T1.6A L = 120V
PART NUMBER 06551


DWG.No. AVT50X-60-02 SHT 3 OF 3

**PRE-AMP PCB
CIRCUIT DIAGRAM
SHEET 1**



PREAMPOUT1



ISS		ECO NUMBER	DATE	ALL OTHER HOLES =				X = (THROUGH PLATED)				MATERIAL		DIMENSIONS IN		 <p>© MARSHALL AMPLIFICATION PLC DENBIGH ROAD, BLETCHLEY, MILTON KEYNES, MK1 1DQ. TEL (01908) 375411 FAX (01908) 376118</p>	TITLE		SHEET 3 OF 3	
				A	E	J	N	DRAWN H.GILES		DATE 22JUL05		TOLERANCE (UNLESS OTHERWISE STATED)		AVT50X BLOCK DIAGRAM			DWG.No AVT50X-60-02		ISS 1	
				B	F	K	P	CHECKED		DATE		MODEL								
				C	G	L	Q	APPROVED		DATE		AVT50X/AVT50HX								