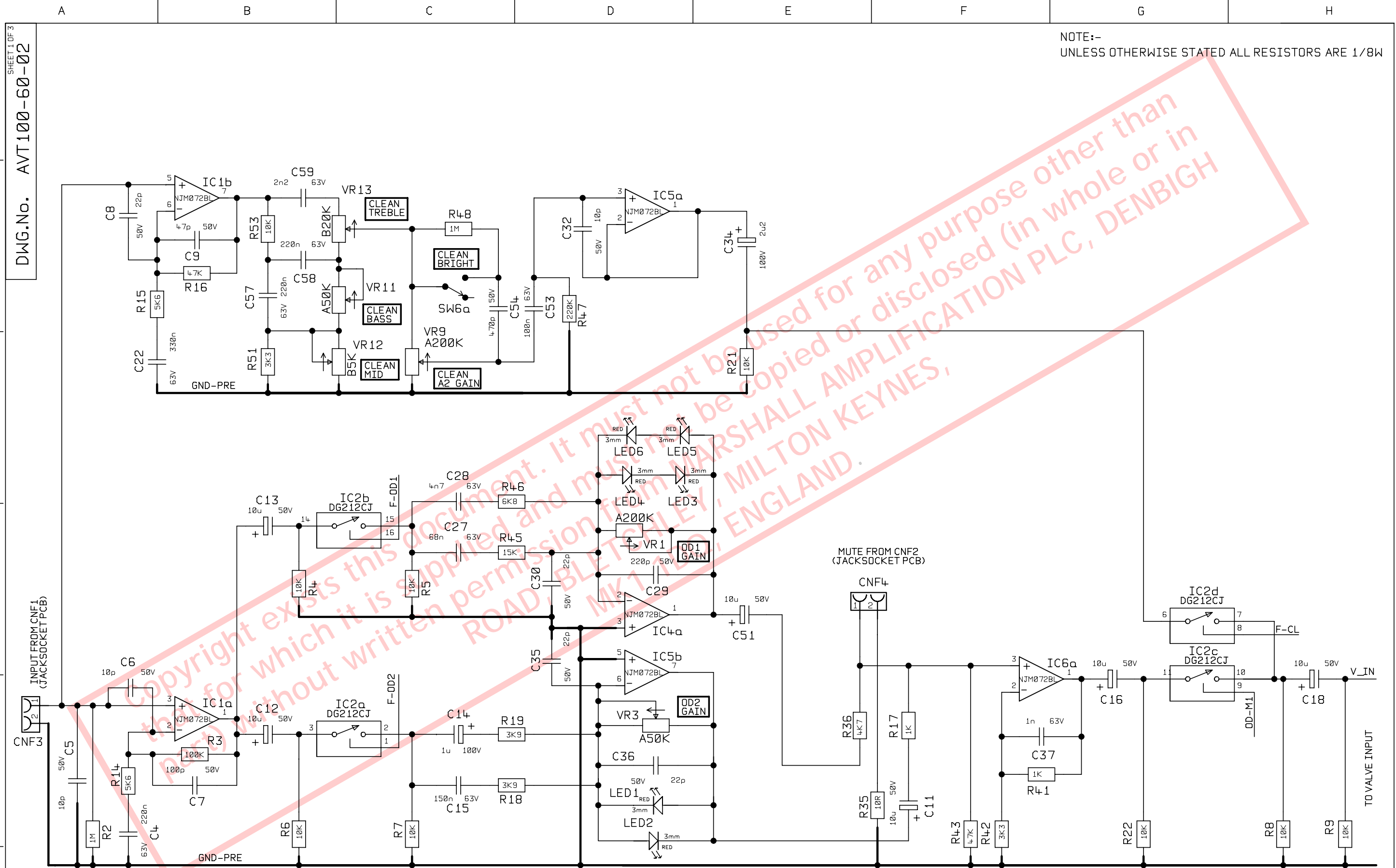


ignorelayers 4

SHEET 1 OF 3
 DWG.No. AVT100-60-02

NOTE:-
 UNLESS OTHERWISE STATED ALL RESISTORS ARE 1/8W

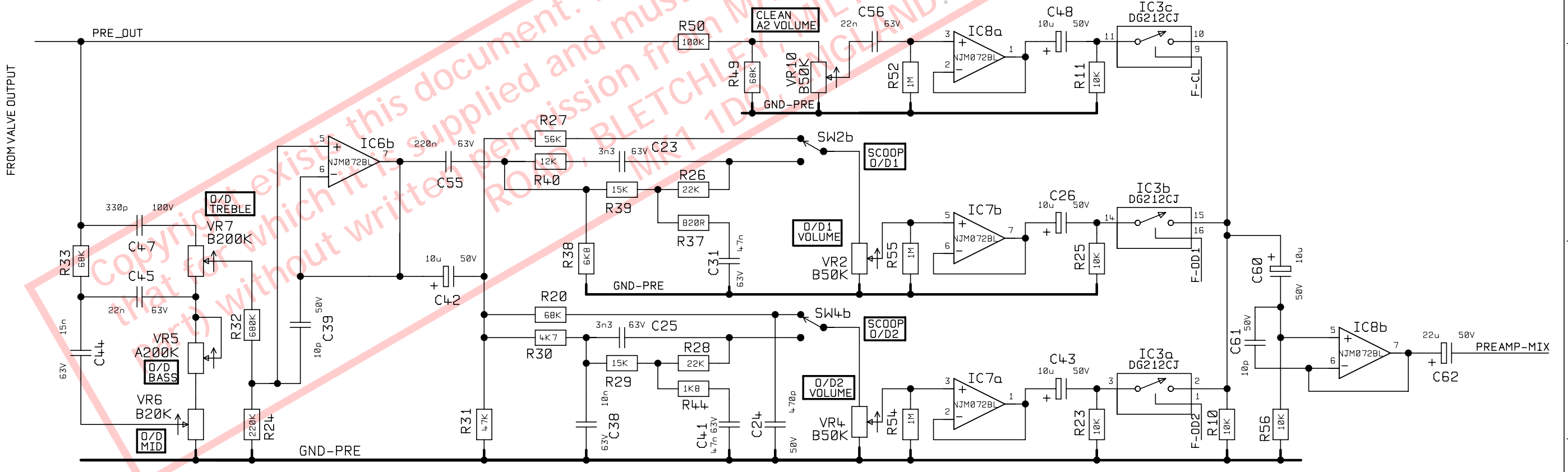
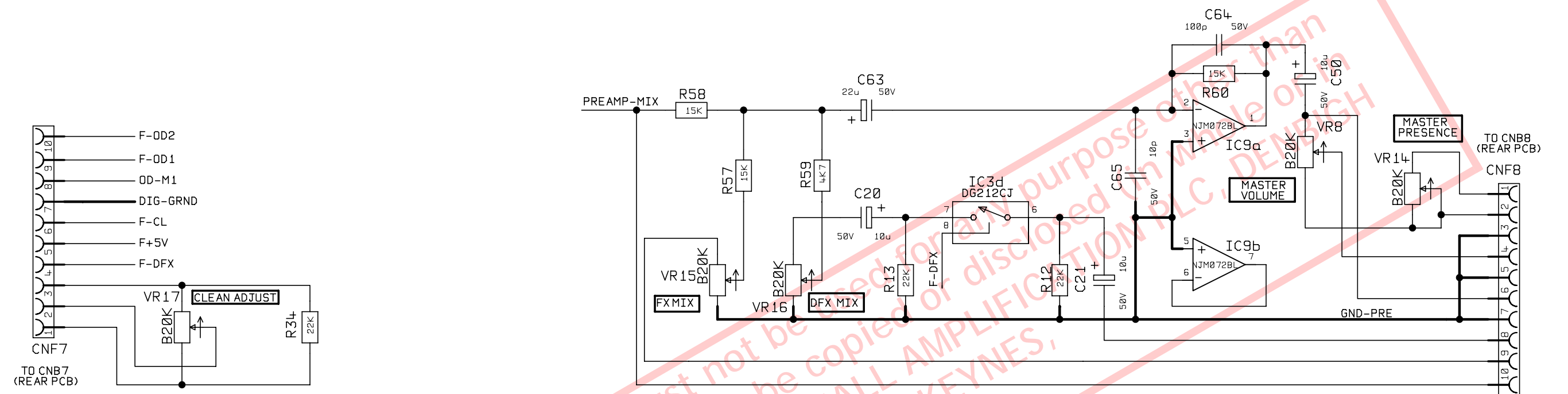


2		2005	28/06/01	ALL OTHER HOLES =		X = (THROUGH PLATED)		MATERIAL		DIMENSIONS IN		<p>© MARSHALL AMPLIFICATION PLC DENBIGH ROAD, BLETCHLEY, MILTON KEYNES, MK1 1DQ. TEL (01908) 375411 FAX (01908) 376118</p>	TITLE FRONT PCB CIRCUIT DIAGRAM	
1			05/10/00	A	E	J	N	MATERIAL THICKNESS		TOLERANCE (UNLESS OTHERWISE STATED)			DWG.No AVT100-60-02	
ISS		ECO NUMBER	DATE	B	F	K	P	DRAWN RSB		DATE 25/09/00			SHEET 1 OF 3	
				C	G	L	Q	CHECKED		DATE			ISS 2	
				D	H	M	R	APPROVED		DATE				

Ignore layers 3 +

SHEET 2 OF 3
DWG.No. AVT100-60-02

NOTE:- UNLESS OTHERWISE STATED ALL RESISTORS ARE 1/8W



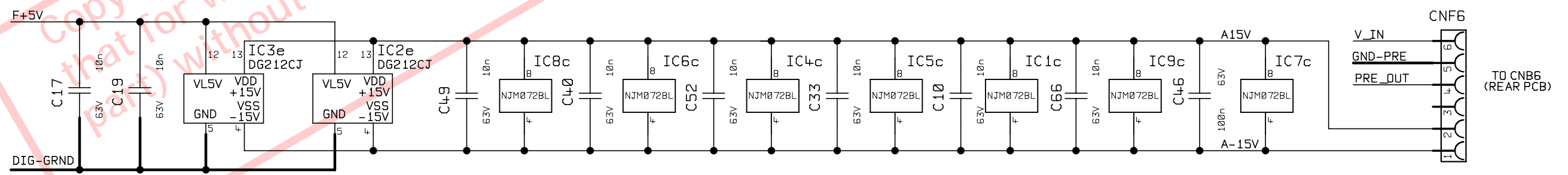
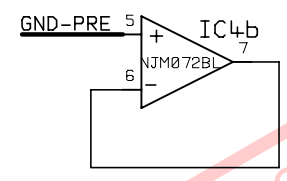
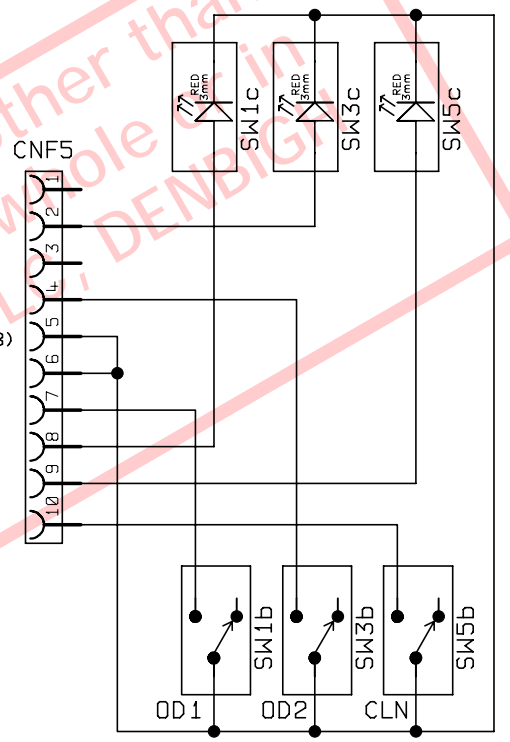
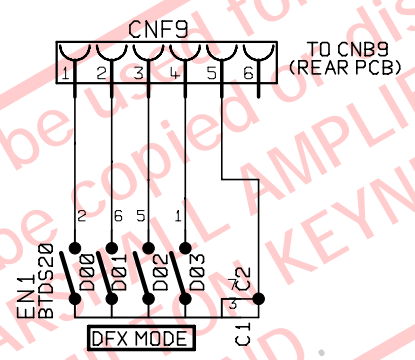
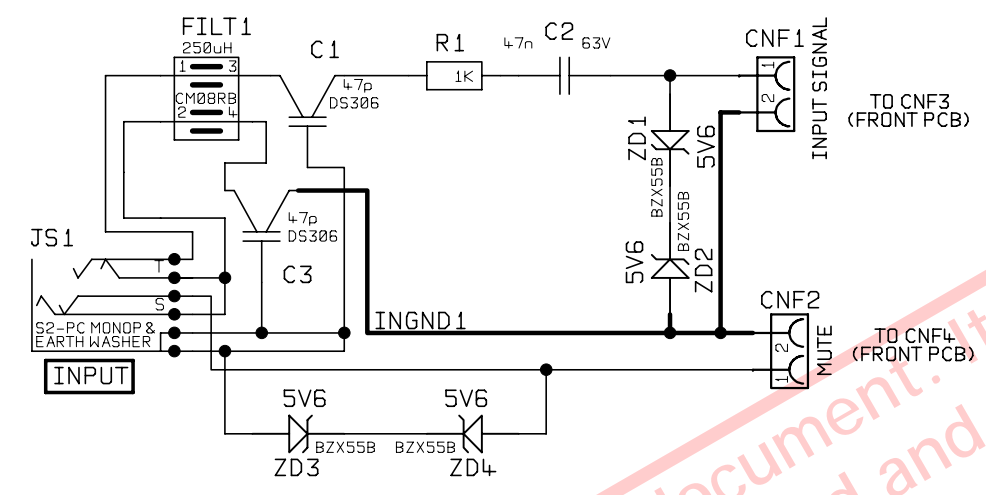
2		2005	28/06/01	ALL OTHER HOLES =				X = (THROUGH PLATED)				MATERIAL		DIMENSIONS IN		<p>MARSHALL AMPLIFICATION PLC DENBIGH ROAD, BLETCHLEY, MILTON KEYNES, MK1 1DQ. TEL (01908) 375411 FAX (01908) 376118</p>	TITLE	
1			05/10/00	A	E	J	N	MATERIAL THICKNESS		TOLERANCE (UNLESS OTHERWISE STATED)		AVT100		FRONT PCB CIRCUIT DIAGRAM				
ISS		ECO NUMBER	DATE	B	F	K	P	DRAWN RSB DATE 25/09/00				MODEL		DWG.No. AVT100-60-02				
				C	G	L	Q	CHECKED DATE				DATE		SHEET 2 OF 3 ISS 2				

SHEET 3 OF 3
 DWG.No. AVT100-60-02

NOTE:-
 UNLESS OTHERWISE STATED ALL RESISTORS ARE 1/8W

JACKSOCKET PCB

ENCODER PCB



Copyright exists this document. It must not be used for any purpose other than that for which it is supplied and must not be copied or disclosed (in whole or part) without written permission from MARSHALL AMPLIFICATION PLC, DENBIGH ROAD, BLETCHLEY, MILTON KEYNES, MK1 1DQ, ENGLAND.

2		2005	28/06/01	A	E	J	N	MATERIAL	DIMENSIONS IN		<p>MARSHALL AMPLIFICATION PLC DENBIGH ROAD, BLETCHLEY, MILTON KEYNES, MK1 1DQ. TEL (01908) 375411 FAX (01908) 376118</p>	TITLE	FRONT PCB CIRCUIT DIAGRAM	
1			05/10/00	B	F	K	P	DRAWN	RSB	DATE		25/09/00	DWG.No	AVT100-60-02
ISS		ECO NUMBER	DATE	C	G	L	Q	CHECKED		DATE			SHEET 3 OF 3	ISS
				D	H	M	R	APPROVED		DATE			2	

ALL OTHER HOLES = X = (THROUGH PLATED)

AVT100

AVT100-60-02