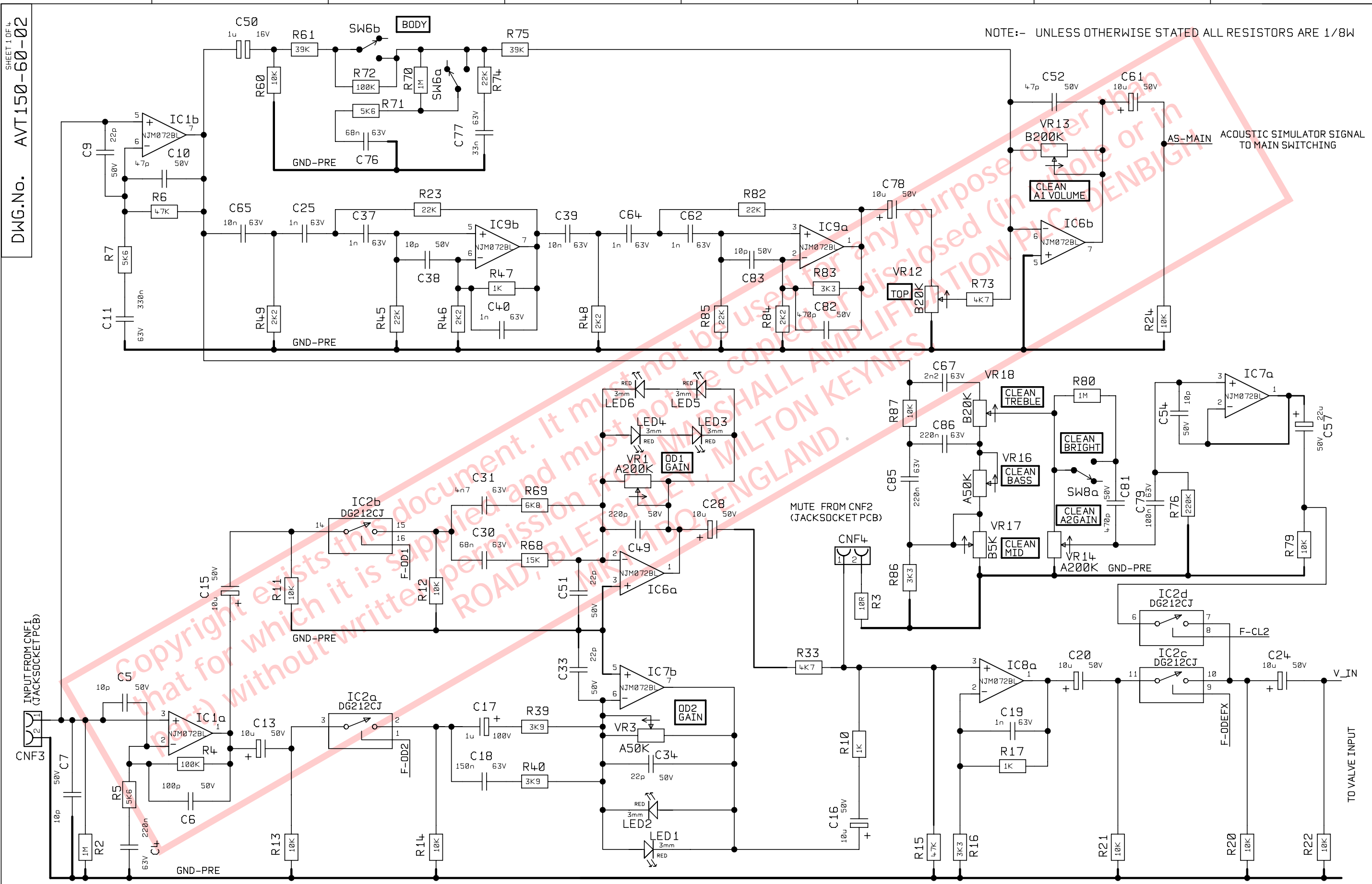


ignorelayers 4

SHEET 1 OF 4
DWG.No. AVT150-60-02

NOTE:- UNLESS OTHERWISE STATED ALL RESISTORS ARE 1/8W



4	2005	28/06/01	ALL OTHER HOLES =				X = (THROUGH PLATED)			
3		24/10/00	A	E	J					
2	1920	22/09/00	B	F	K					
ISS	ECO NUMBER	DATE	C	G	L					
			D	H	M					

MATERIAL		DIMENSIONS IN	
MATERIAL THICKNESS		TOLERANCE (UNLESS OTHERWISE STATED)	
DRAWN RSB	DATE 12/09/00	MODEL	
CHECKED	DATE	AVT150/AVT150H/AVT275	
APPROVED	DATE		

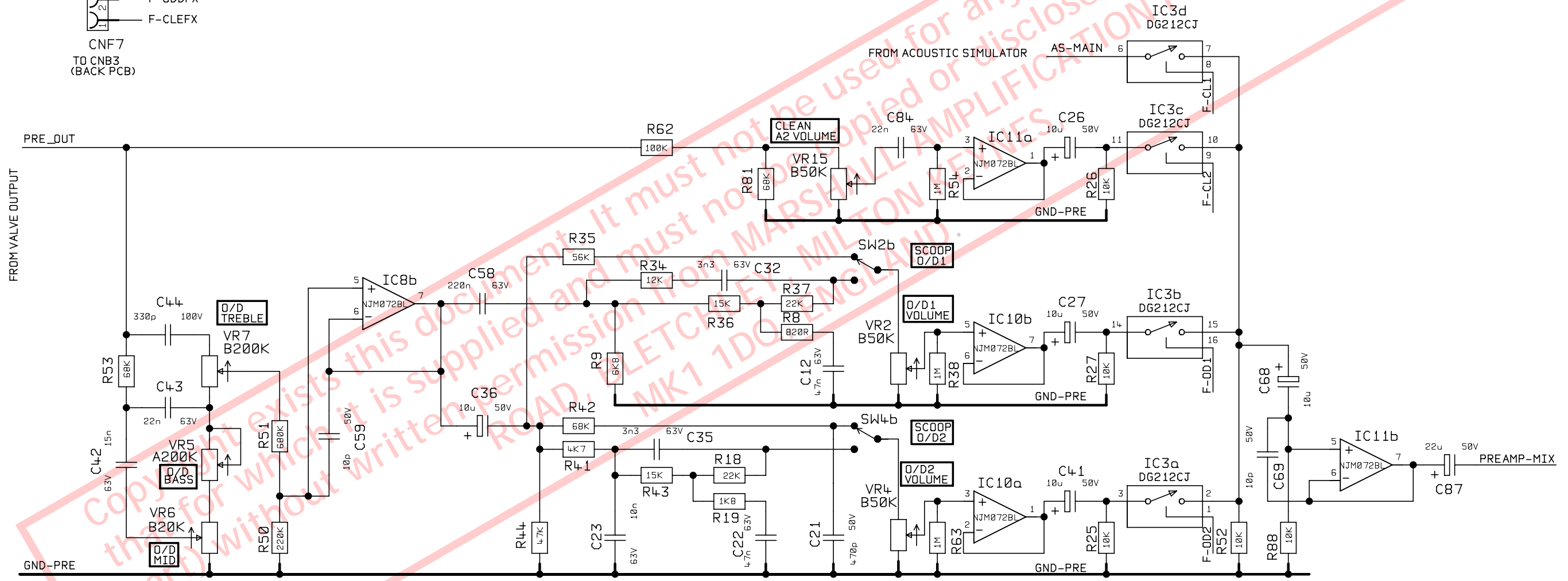
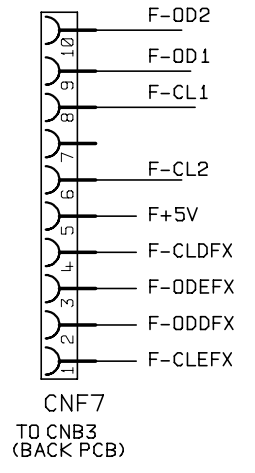



TITLE	FRONT PCB CIRCUIT DIAGRAM	
DWG.No	AVT150-60-02	ISS 4

ignorelayers 4

SHEET 2 OF 4
DWG.No. AVT150-60-02

NOTE:- UNLESS OTHERWISE STATED ALL RESISTORS ARE 1/8W

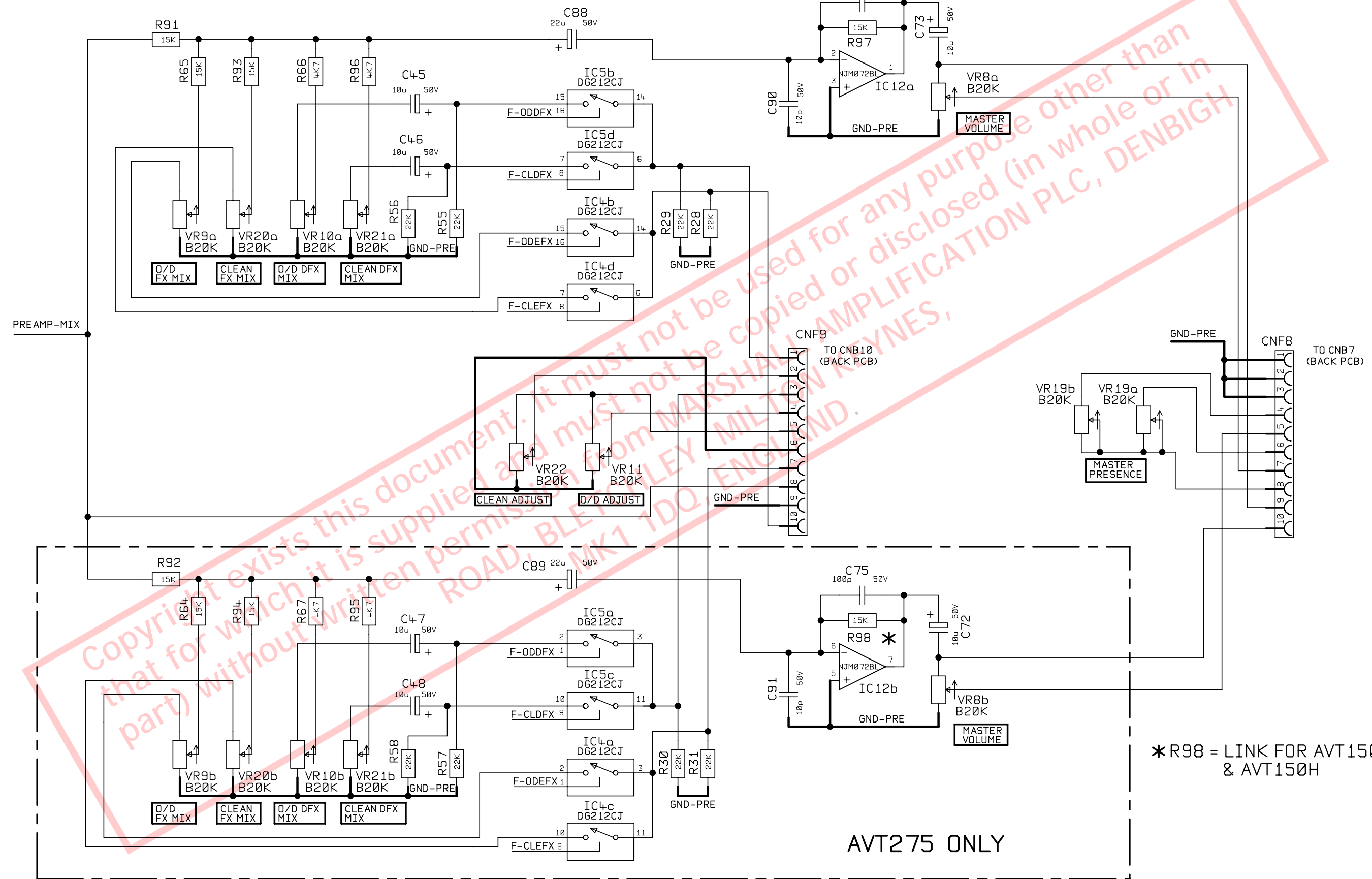


4	2005	28/06/01	ALL OTHER HOLES =				X = (THROUGH PLATED)				MATERIAL	DIMENSIONS IN		 © MARSHALL AMPLIFICATION PLC DENBIGH ROAD, BLETCHELY, MILTON KEYNES, MK1 10G. TEL: (01908) 375411 FAX: (01908) 376110	TITLE	FRONT PCB CIRCUIT DIAGRAM		
3		24/10/00	A	E	J	N	MATERIAL THICKNESS	TOLERANCE (UNLESS OTHERWISE STATED)		DRAWN	RSB	DATE	12/09/00		DWG.No	AVT150-60-02	ISS	4
2	1920	22/09/00	B	F	K	P	CHECKED	MODEL		DATE								
ISS	ECO NUMBER	DATE	C	G	L	Q	APPROVED	AVT150/AVT150H/AVT275		DATE								
			D	H	M	R												

ignorelayers 4

SHEET 3 OF 4
DWG.No. AVT150-60-02

NOTE:- UNLESS OTHERWISE STATED ALL RESISTORS ARE 1/8W



* R98 = LINK FOR AVT150 & AVT150H

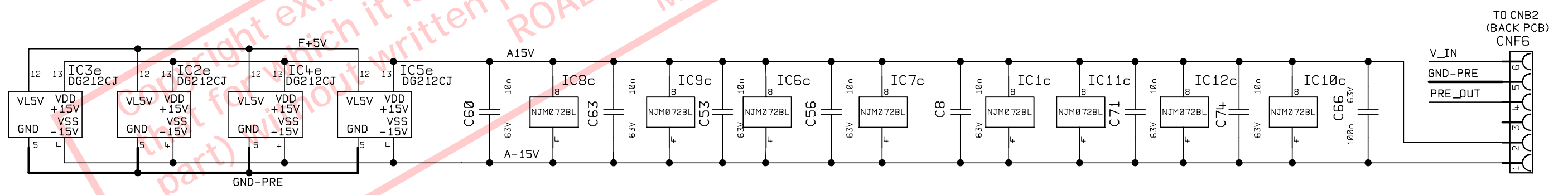
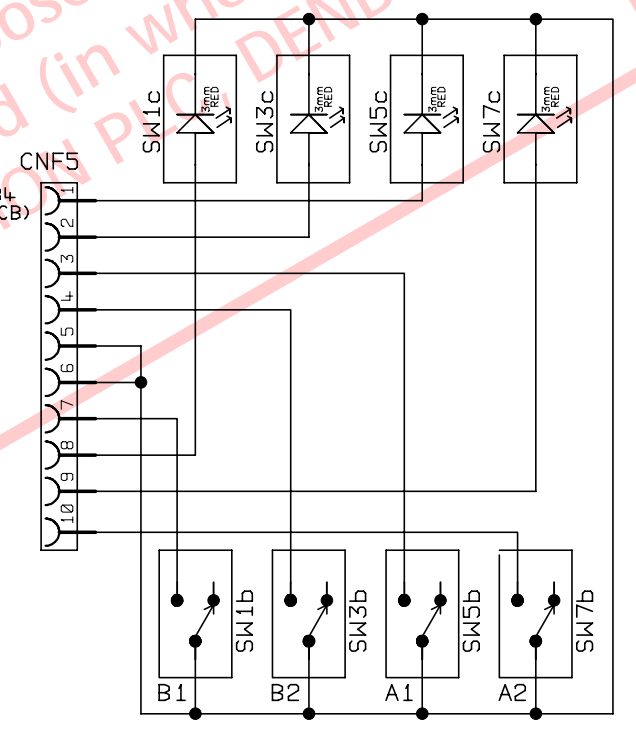
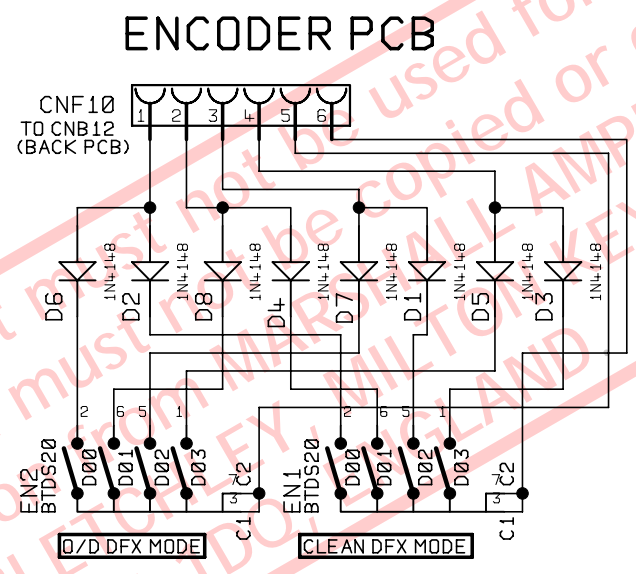
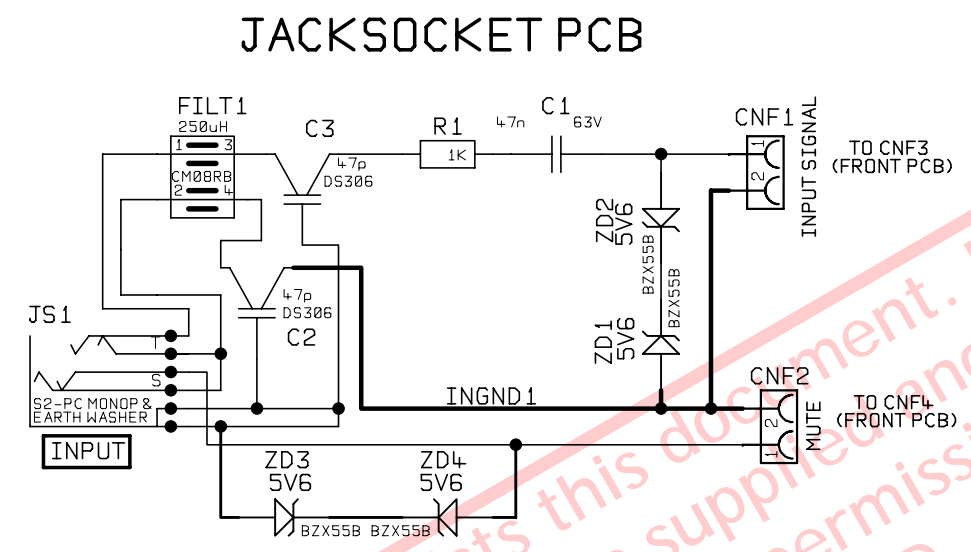
AVT275 ONLY


4	2005	28/06/01	ALL OTHER HOLES =				X = (THROUGH PLATED)				MATERIAL		DIMENSIONS IN		<p>© MARSHALL AMPLIFICATION PLC DENBIGH ROAD, BLETCHLEY, MILTON KEYNES, MK1 1DG. TEL: (01908) 375411 FAX: (01908) 375119</p>	TITLE FRONT PCB CIRCUIT DIAGRAM DWG.No. AVT150-60-02 SHEET 3 OF 4 ISS 4
3		24/10/00	A	E	J	N					MATERIAL THICKNESS		TOLERANCE (UNLESS OTHERWISE STATED)			
2	1920	22/09/00	B	F	K	P					DRAWN	RSB	DATE	12/09/00		
ISS	ECO NUMBER	DATE	C	G	L	Q					CHECKED		DATE			
			D	H	M	R					APPROVED		DATE			
											MODEL		AVT150/AVT150H/AVT275			

ignorelayers 4

SHEET 4 OF 4
DWG.No. AVT150-60-02

NOTE:- UNLESS OTHERWISE STATED ALL RESISTORS ARE 1/8W



4	2005	28/06/01	A	E	J	N	MATERIAL	DIMENSIONS IN	 © MARSHALL AMPLIFICATION PLC DENBIGH ROAD, BLETCHLEY, MILTON KEYNES, MK1 1DG. TEL. (01908) 375411 FAX (01908) 376118	TITLE	FRONT PCB CIRCUIT DIAGRAM DWG.No. AVT150-60-02 SHEET 4 OF 4 ISS 4
3		24/10/00	B	F	K	MATERIAL THICKNESS	TOLERANCE (UNLESS OTHERWISE STATED)	DWG.No.			
2	1920	22/09/00	C	G	L	DRAWN RSB	DATE 12/09/00	SHEET 4 OF 4			
ISS	ECO NUMBER	DATE	D	H	M	CHECKED	DATE	ISS			