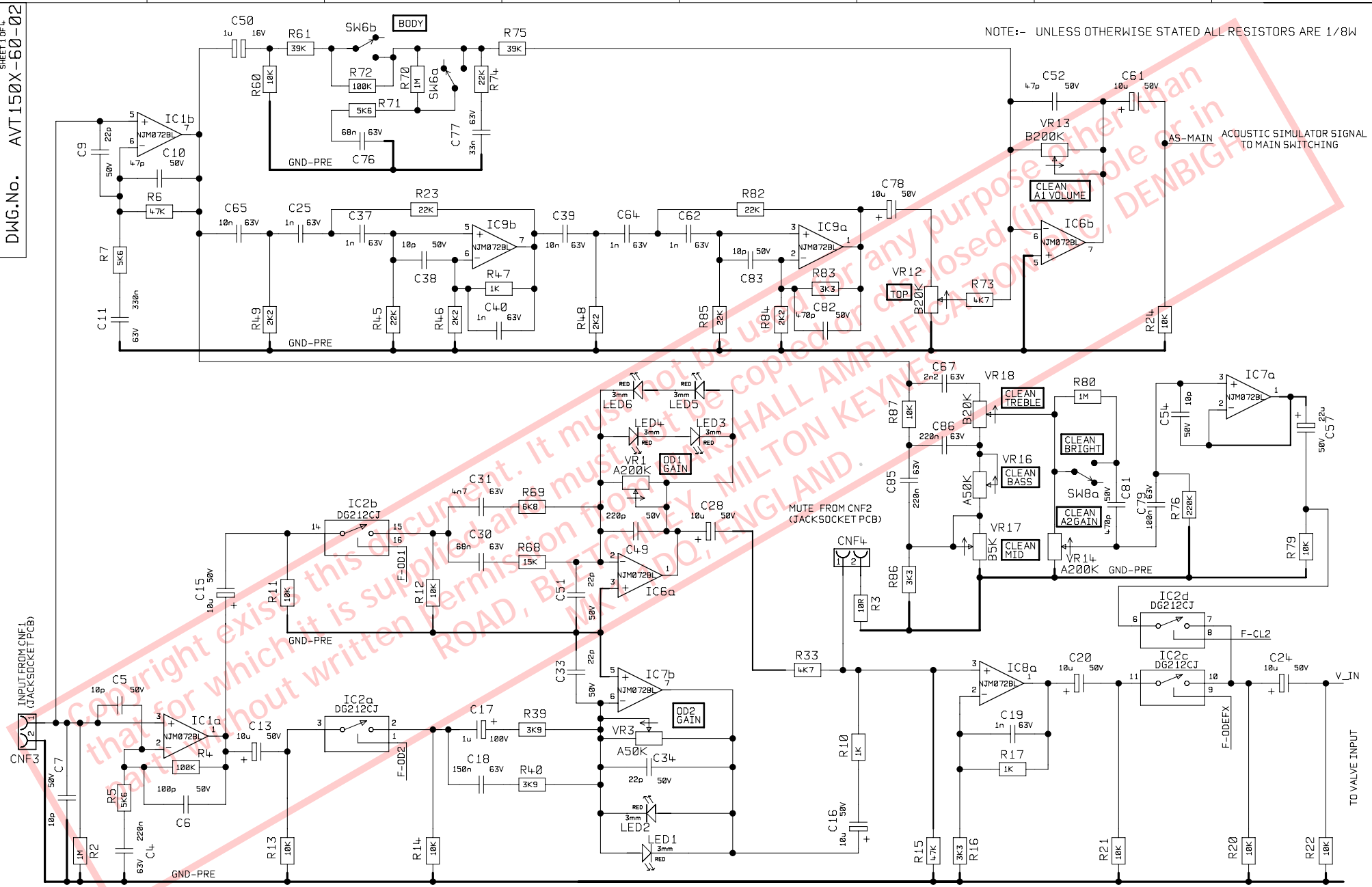


NOTE:- UNLESS OTHERWISE STATED ALL RESISTORS ARE 1/8W

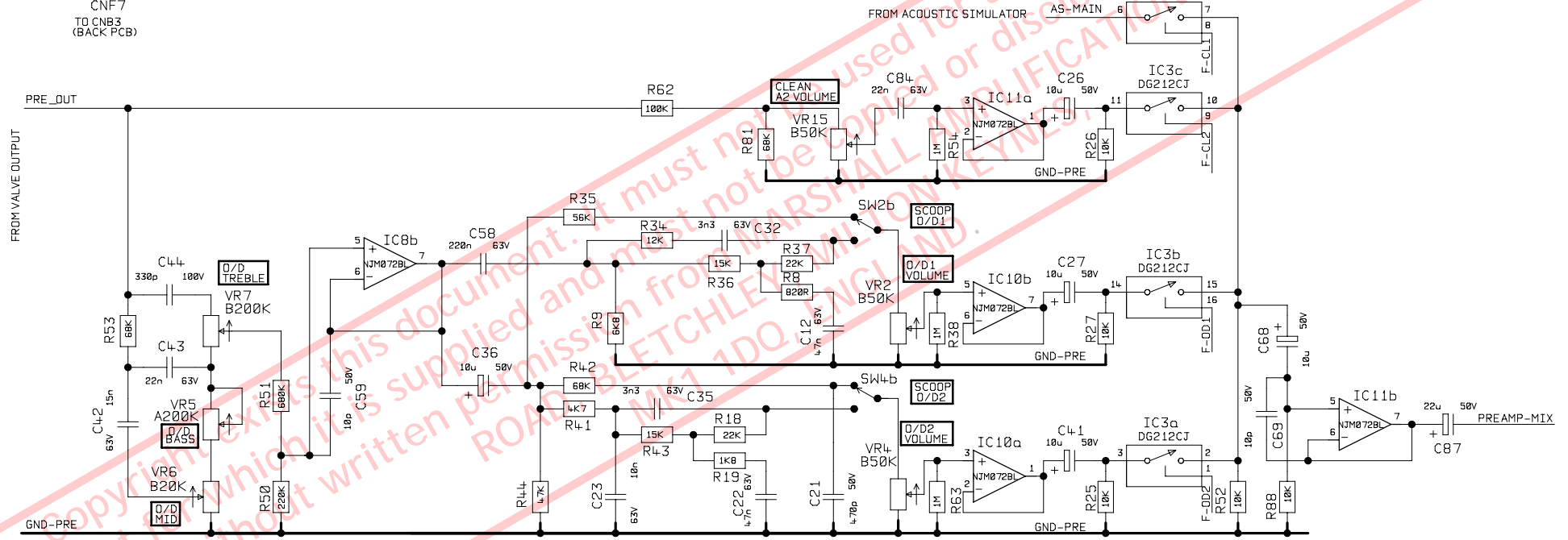
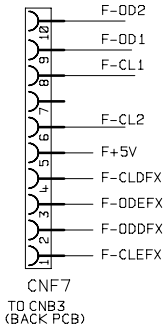


ISS		ECO NUMBER		DATE		ALL OTHER HOLES =		X = (THROUGH PLATED)		MATERIAL		DIMENSIONS IN		TITLE		
A	B	C	D	E	F	G	H	J	K	L	M	N	P	Q	R	FRONT PCB CIRCUIT DIAGRAM
										MATERIAL THICKNESS		TOLERANCE (UNLESS OTHERWISE STATED)		DRAWN HG		
										DATE 31/10/85		MODEL		SHEET 1 OF 4 ISS		
										APPROVED		DATE		AVT150X/AVT150HX/AVT275X		
										DATE		DATE		AVT150X-60-02 1		



TITLE FRONT PCB
CIRCUIT DIAGRAM
DWG.No AVT150X-60-02
SHEET 1 OF 4 ISS 1

NOTE:- UNLESS OTHERWISE STATED ALL RESISTORS ARE 1/8W

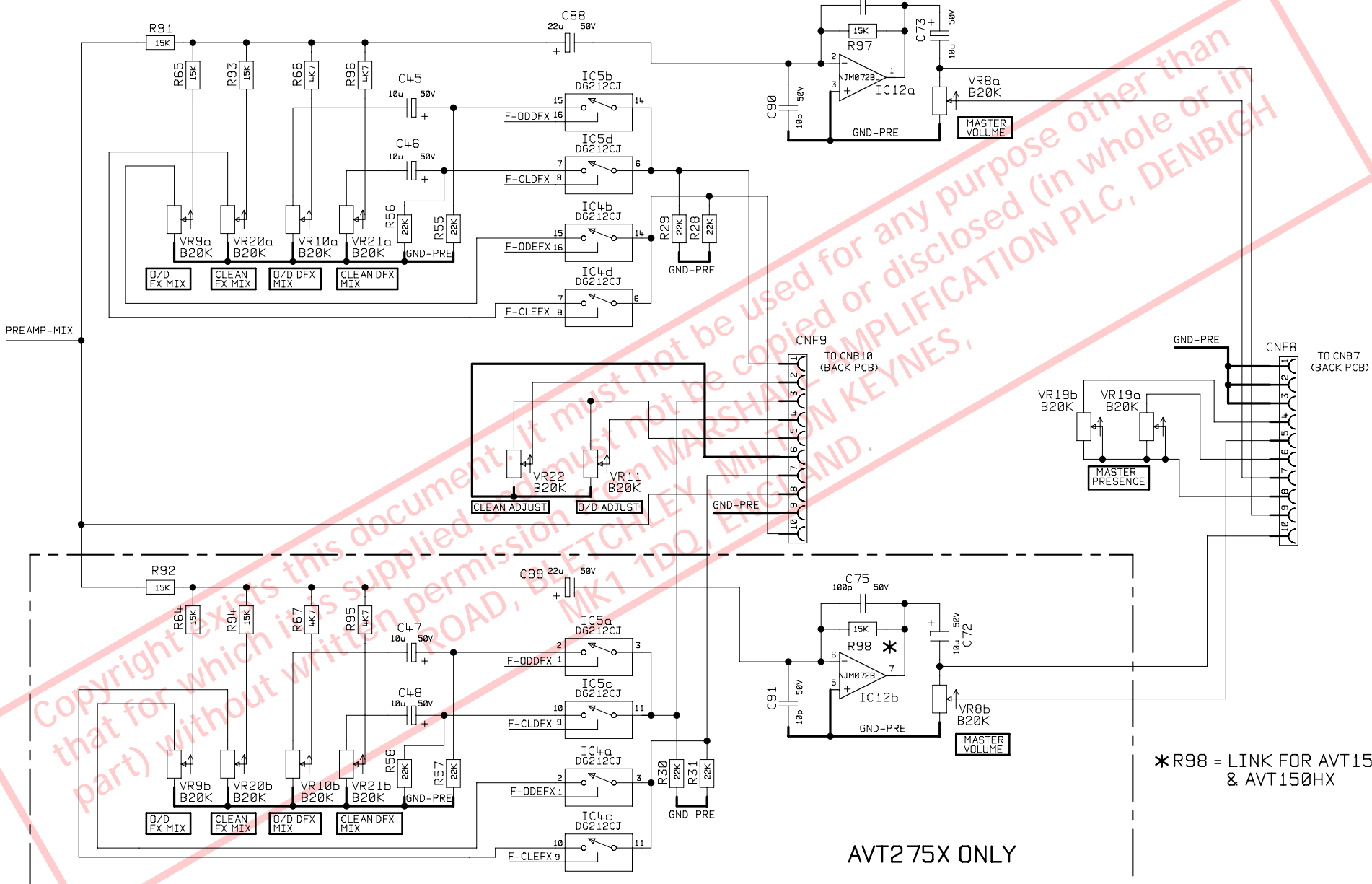


ISS	ECD NUMBER	DATE	ALL OTHER HOLES =	X = (THROUGH PLATED)	MATERIAL	DIMENSIONS IN
			A	E	MATERIAL THICKNESS	TOLERANCE (UNLESS OTHERWISE STATED)
			B	F	DRAWN HG	DATE 31/10/05
			C	G	CHECKED	DATE
			D	H	APPROVED	DATE
			J	N		
			K	P		
			L	Q		
			M	R		




TITLE	FRONT PCB CIRCUIT DIAGRAM
DWG.No	AVT150X-60-02
SHEET 2 OF 4	ISS 1

NOTE:- UNLESS OTHERWISE STATED ALL RESISTORS ARE 1/8W



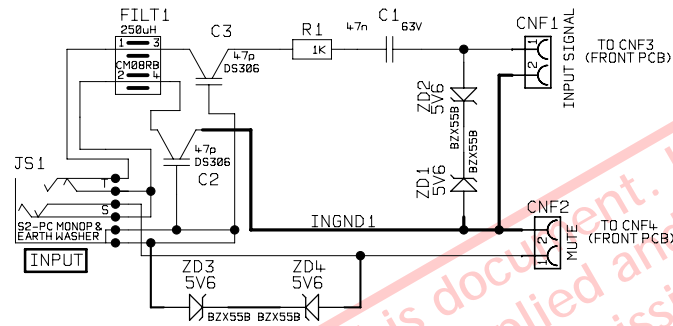
* R98 = LINK FOR AVT150X & AVT150HX

AVT275X ONLY

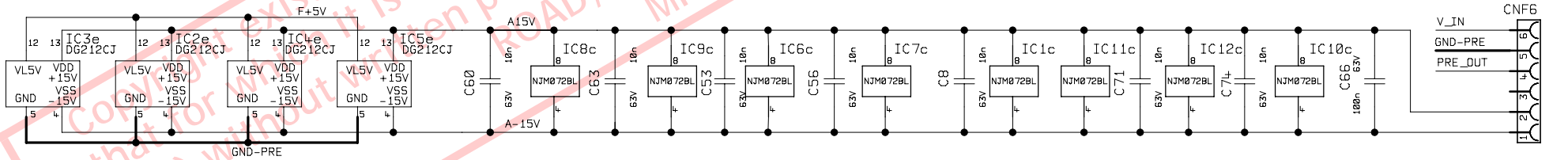
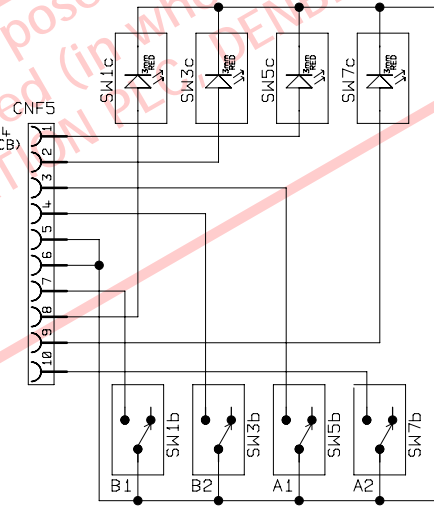
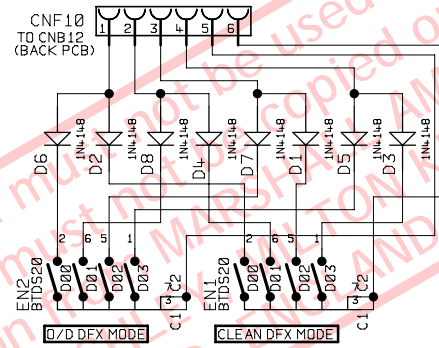
ALL OTHER HOLES =				X = (THROUGH PLATED)				MATERIAL		DIMENSIONS IN		 TITLE FRONT PCB CIRCUIT DIAGRAM DWG.No AVT150X-60-02 SHEET 3 OF 4 ISS 1 © MARSHALL AMPLIFICATION PLC DENBIGH ROAD, BLETCHELY, MILTON KEYNES, MK1 1DQ. TEL (01908) 375411 FAX (01908) 376110	
A	B	E	J	N	MATERIAL THICKNESS	TOLERANCE (UNLESS OTHERWISE STATED)							
B	F	K	P	P	DRAWN HG DATE 31/10/05								
C	G	L	Q	Q	CHECKED DATE	MODEL							
D	H	M	R	R	APPROVED DATE	AVT150X/AVT150HX/AVT275X							


NOTE:- UNLESS OTHERWISE STATED ALL RESISTORS ARE 1/8W

JACKSOCKET PCB



ENCODER PCB



ALL OTHER HOLES =				X = (THROUGH PLATED)				MATERIAL		DIMENSIONS IN		 MARSHALL AMPLIFICATION PLC DENBIGH ROAD, BLETCHEY, MILTON KEYNES, MK1 1DQ. TEL (01908) 3754 11 FAX (01908) 376118	TITLE	
A	B	E	J	N	P	MATERIAL THICKNESS	TOLERANCE (UNLESS OTHERWISE STATED)		DRAWN HG DATE 31/10/05		FRONT PCB			
B	F	K	P	R		DRAWN HG DATE			MODEL		CIRCUIT DIAGRAM			
C	G	L	Q			CHECKED DATE			AVT150X/AVT150HX/AVT275X		DWG.No AVT150X-60-02			
ISS	ECD NUMBER	DATE	D	H	M	R	APPROVED DATE					SHEET 4 OF 4	ISS 1	