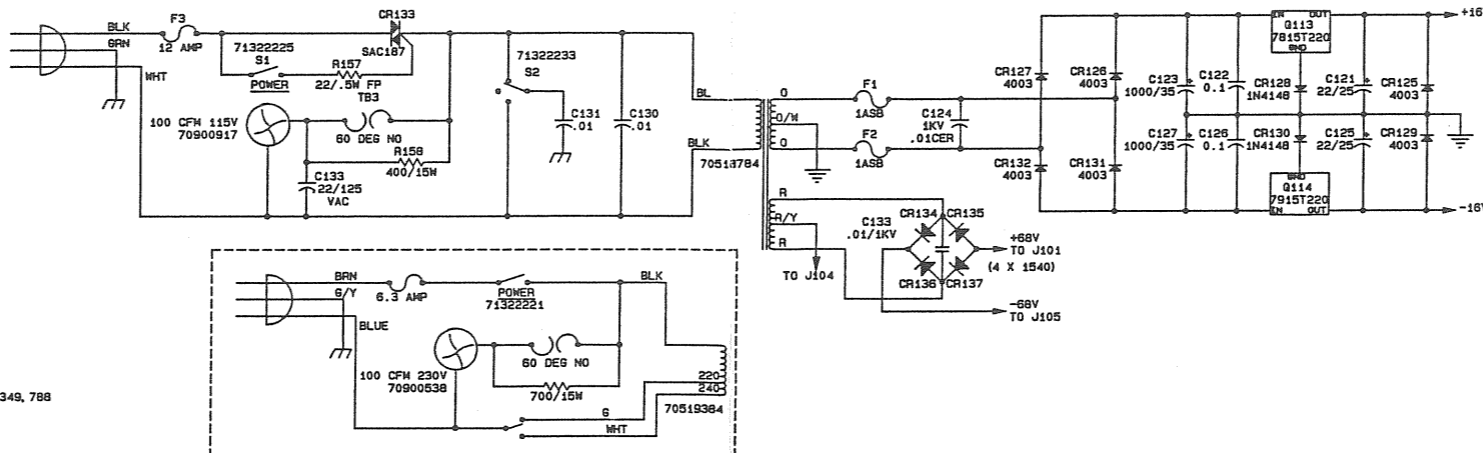
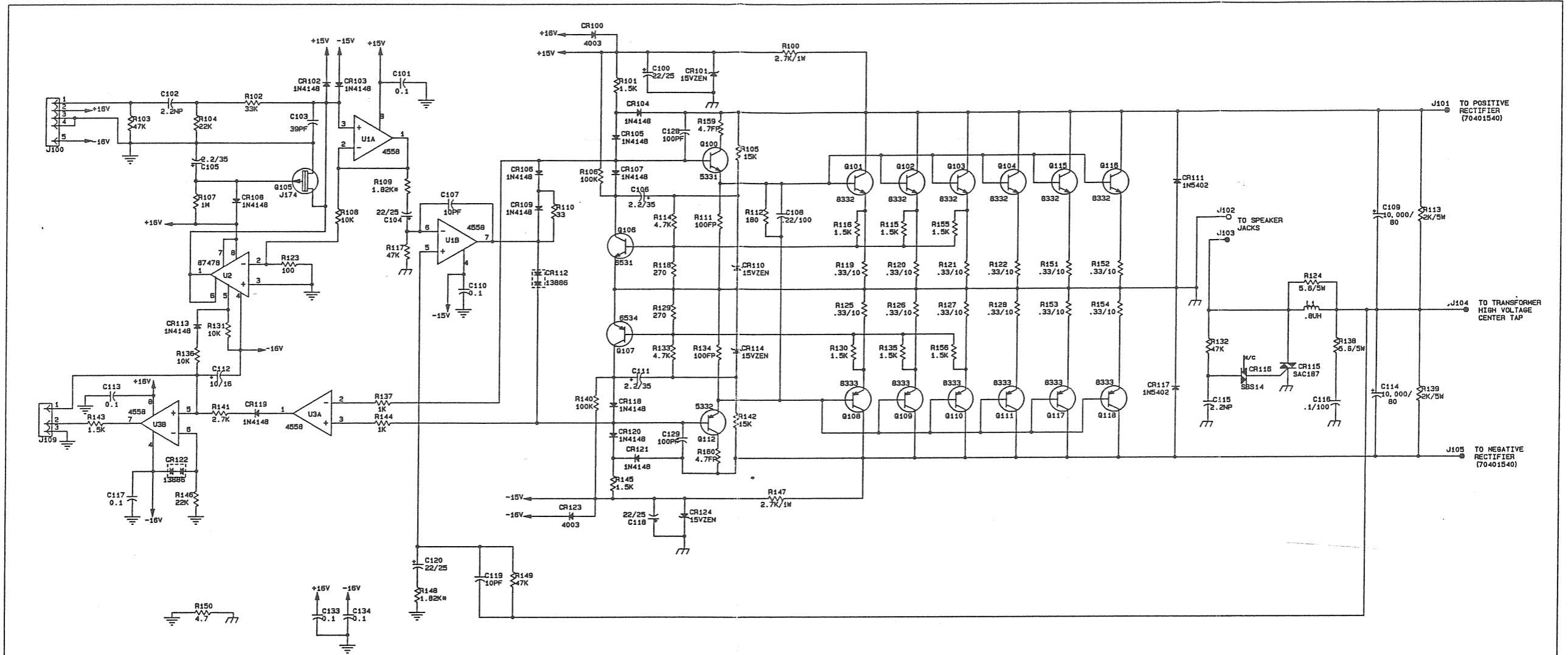


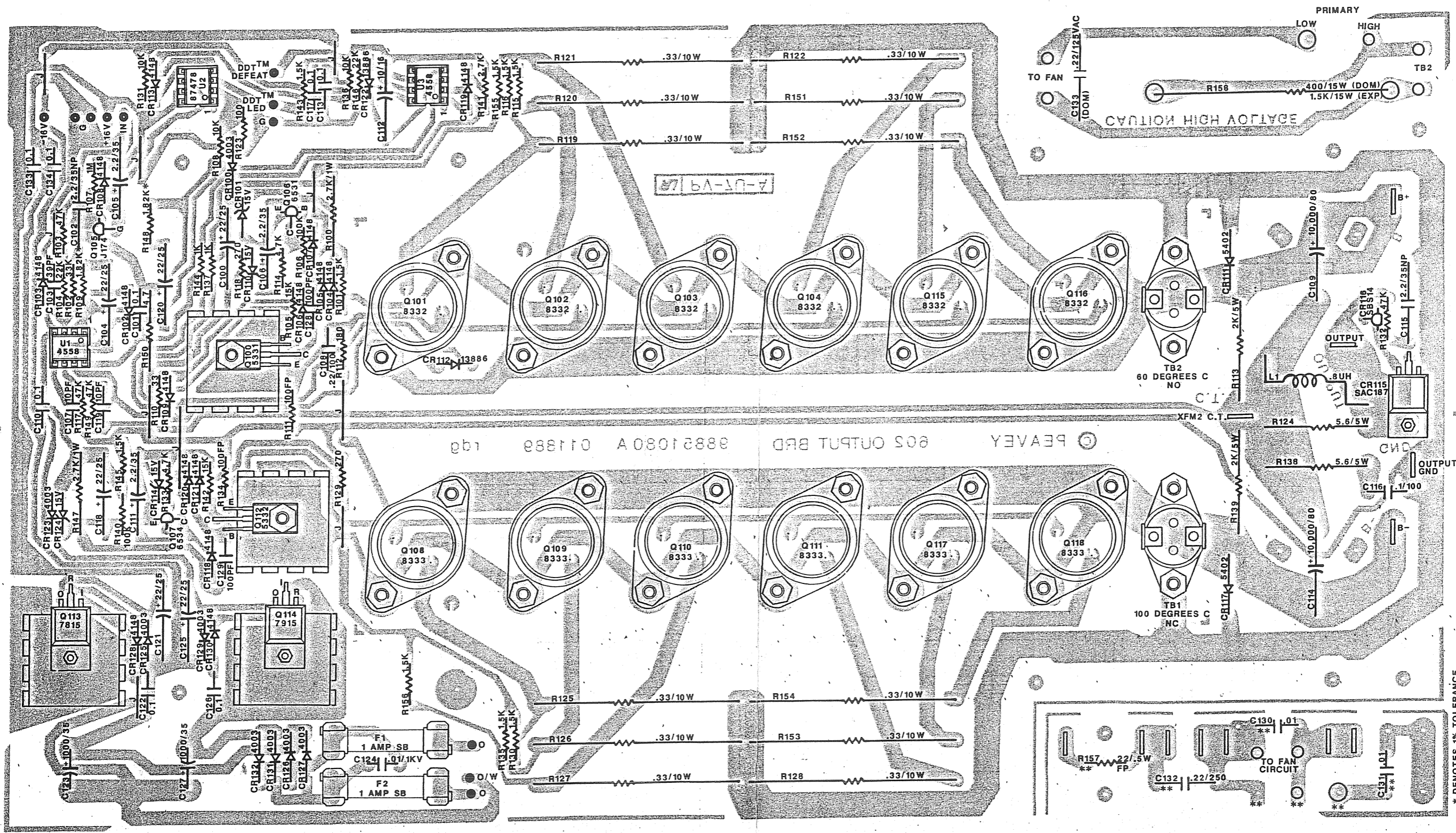
MODULE 602



NOTES:
 ALL RESISTORS 1/4W UNLESS NOTED
 ALL RESISTORS IN OHMS UNLESS NOTED
 ALL POTS ARE LINEAR UNLESS NOTED
 ALL CAPACITORS IN MFD UNLESS NOTED
 ALL DIODES 1N4148 UNLESS NOTED
 VOLTAGES MAY VARY FROM UNIT TO UNIT
 LAST REFERENCE DESIGNATOR USED:
 L1 CR137 C133 R158 Q118 F3 S2
 # DENOTES 1% TOLERANCE
 BUILT UNDER U.S. PATENT NOS. 4, 318, 053 AND 4, 349, 788

602 MODULE
 BD. #98851080A (1-18-89)

PEAVEY ELECTRONICS CORP. 711 A ST. MERIDIAN, MS	
DRAWN BY LRH	DATE 7-17-90
C.B. CK. JRB	
CK. BY JRB	
APPR. BY JRB	



602 MODULE

** DENOTES 1% TOLERANCE
 ** DELETE FOR EXPORT