

Do not stuff L1, L2

EO

DATE	CHK	APP	TITLE
Sun Jul 15, 2001			SXA-100 Schematic

SIZE	DWG. NO.	REV.
D	600633	2

CAD GENERATED DRAWING  
 FILE NAME: Sxa-100\_Rev2.sch

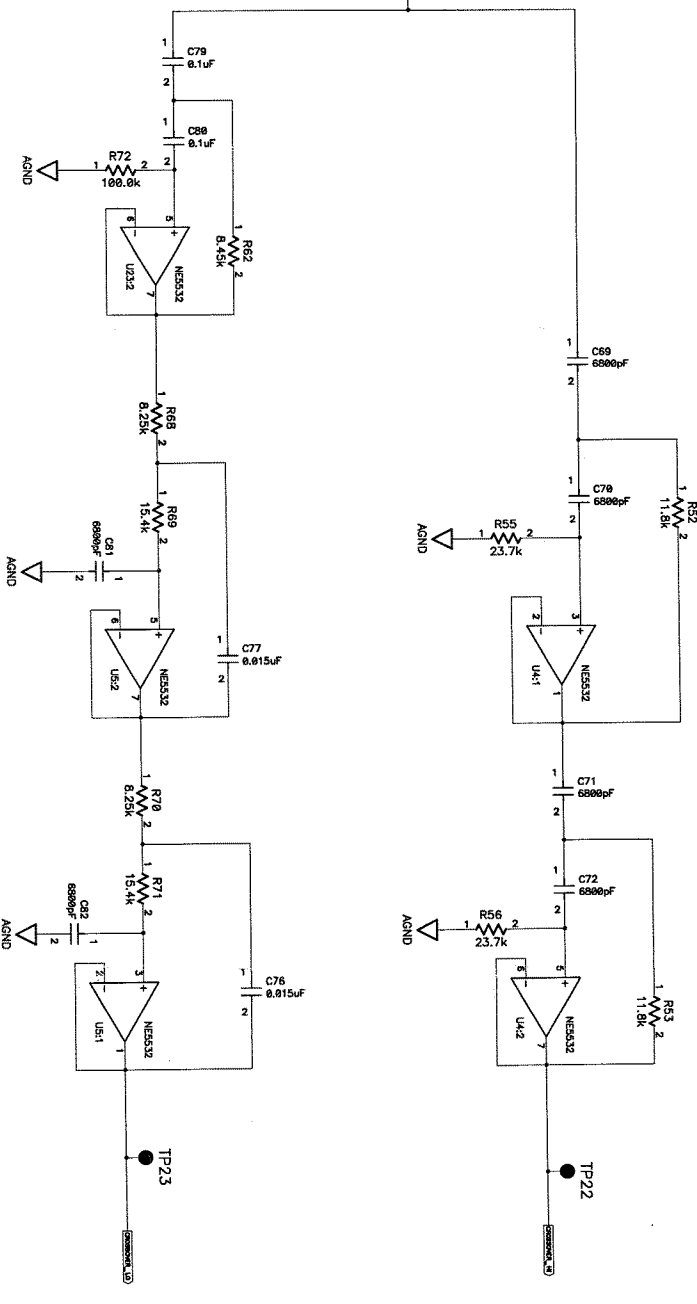
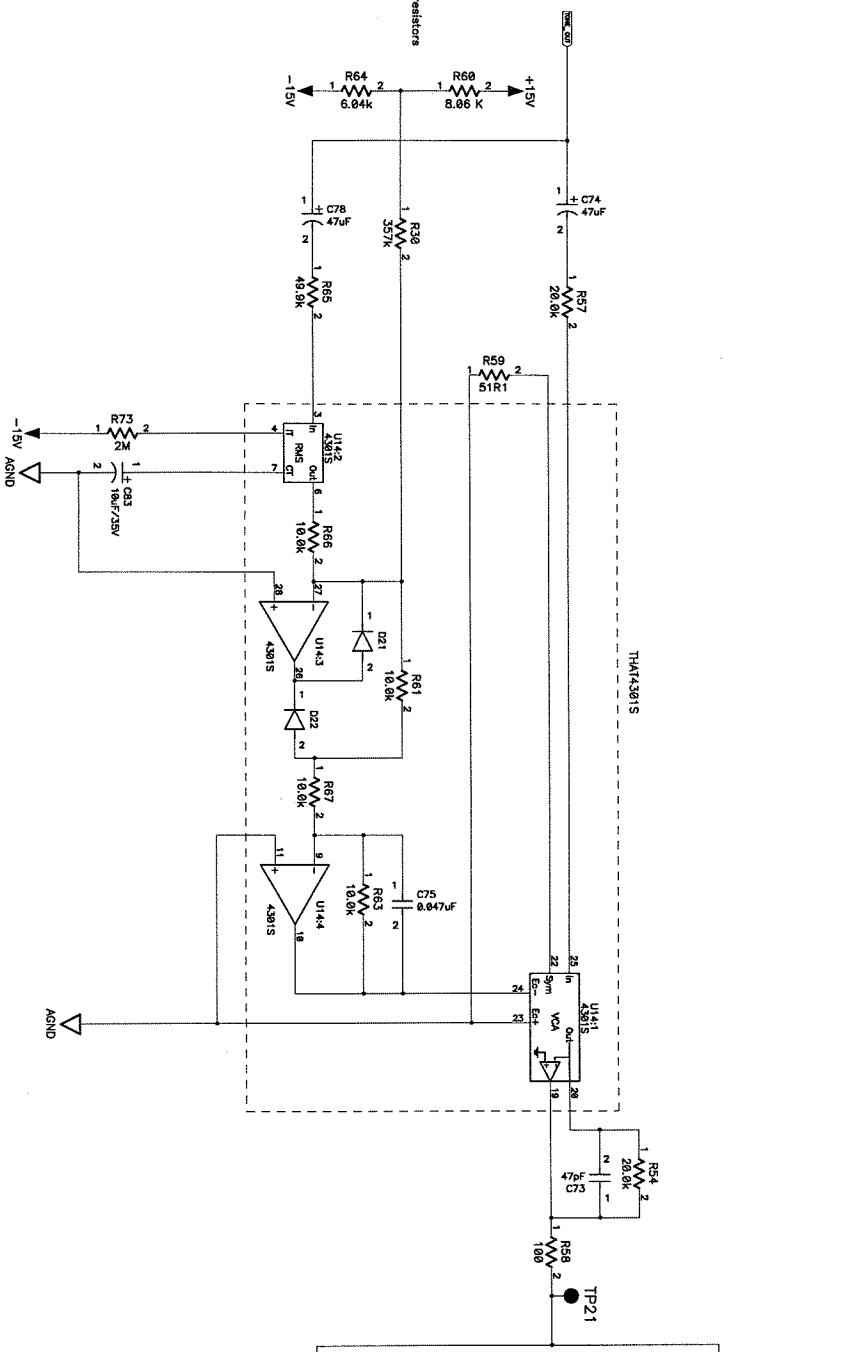
DATE	CHK	APP	TITLE
Sun Jul 15, 2001			SXA-100 Schematic

DATE	CHK	APP	TITLE
Sun Jul 15, 2001			SXA-100 Schematic

DATE	CHK	APP	TITLE
Sun Jul 15, 2001			SXA-100 Schematic

DATE	CHK	APP	TITLE
Sun Jul 15, 2001			SXA-100 Schematic

NOTES:



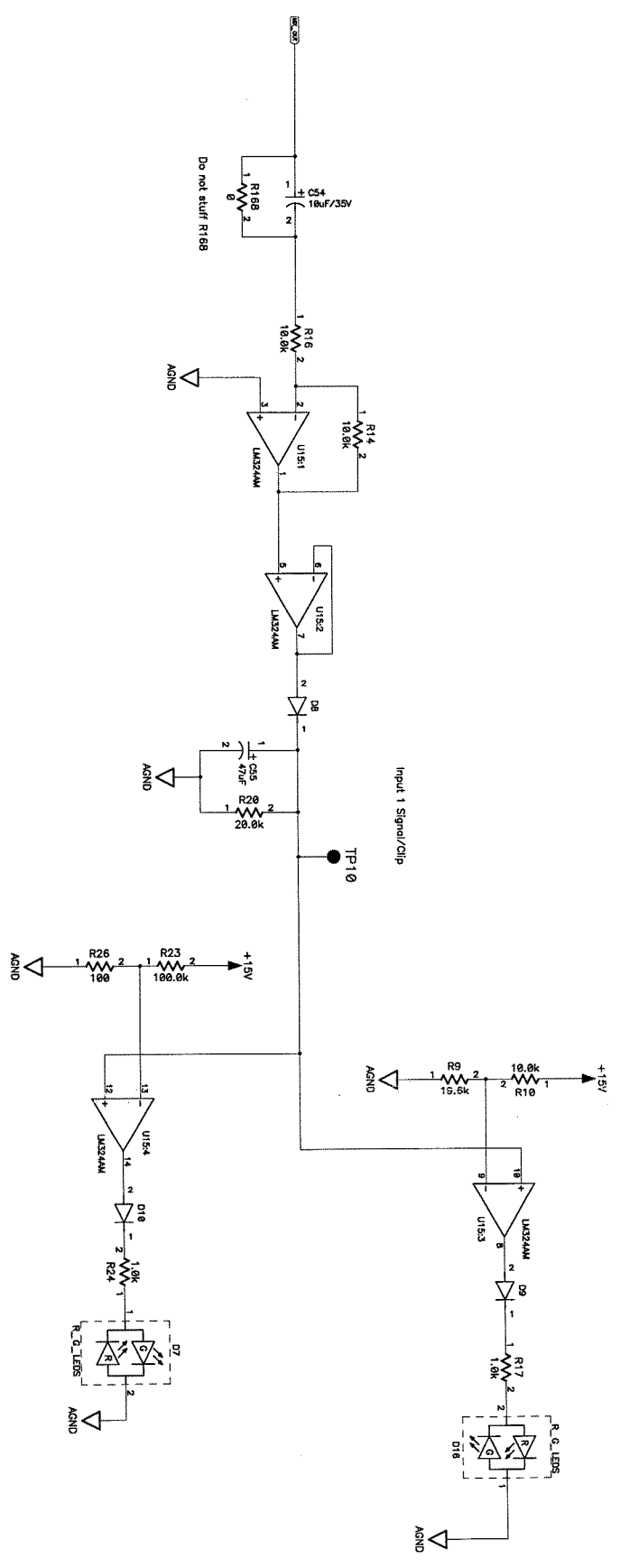
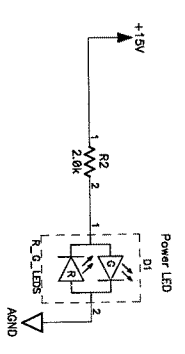
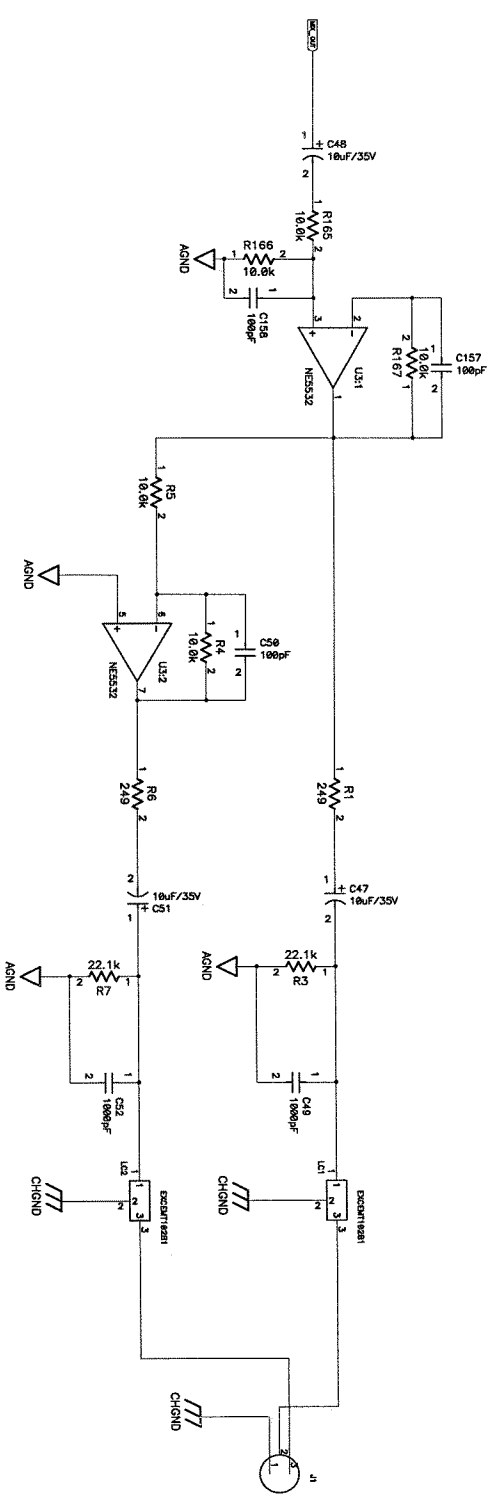
Resistors and Caps values need to be changed for different poles

REV.	REV. STATUS	LOC.	REV.	DESCRIPTION	ECO NO.	DFT.	CHK.	APP.	DATE	TITLE
1										SXA-100 Schematic

DFT. CL.	CHK. B6	APP. B6	DATE	Sun Jul 15, 2001
SIZE	DWG. NO.	600633	REV.	2
SHT. 2	OF 7			
PLANT DIST.	B.E.			

CAD GENERATED DRAWING  
 FILE NAME: SXA-100\_Pwr.sch  
 MODEL: SXA-100  
 NEXT ASSY: 600633

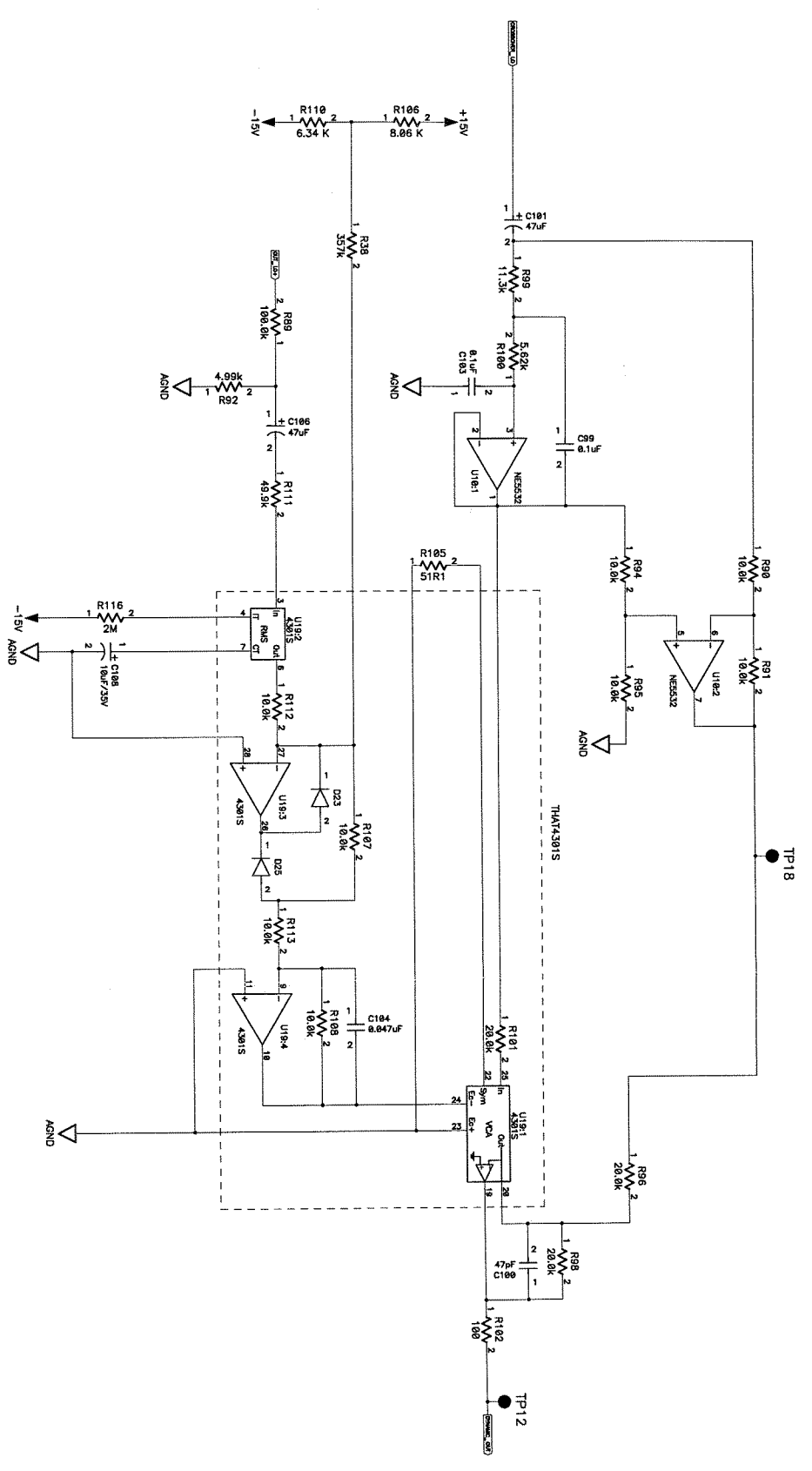
TELEX  
 TELECOMUNICATIONS, INC.  
 MINNEAPOLIS, MN



**SXA-100 Schematic**

DATE	CHK	APP	TITLE
Sun Jul 15, 2001	bc	bc	SXA-100 Schematic
FILE NAME:	CAD GENERATED DRAWING		
MODEL	SXA-100_Rev3.sch		
DATE	CHK	APP	TITLE
Sun Jul 15, 2001	bc	bc	SXA-100 Schematic
FILE NAME:	CAD GENERATED DRAWING		
MODEL	SXA-100_Rev3.sch		
DATE	CHK	APP	TITLE
Sun Jul 15, 2001	bc	bc	SXA-100 Schematic
FILE NAME:	CAD GENERATED DRAWING		
MODEL	SXA-100_Rev3.sch		

SIZE	DWG. NO.	REV.
D	600633	2
SHT.	3	OF 7
PLANT DIST.	B.E.	



**SXA-100 Schematic**

DWG. NO. 600633

REV. 2

PLANT DIST. B.E.

DATE: Sun Jul 15, 2001

CHK: [ ]

APP: [ ]

TELEX COMMUNICATIONS, INC.  
MINNEAPOLIS, MN

MODEL: 600633

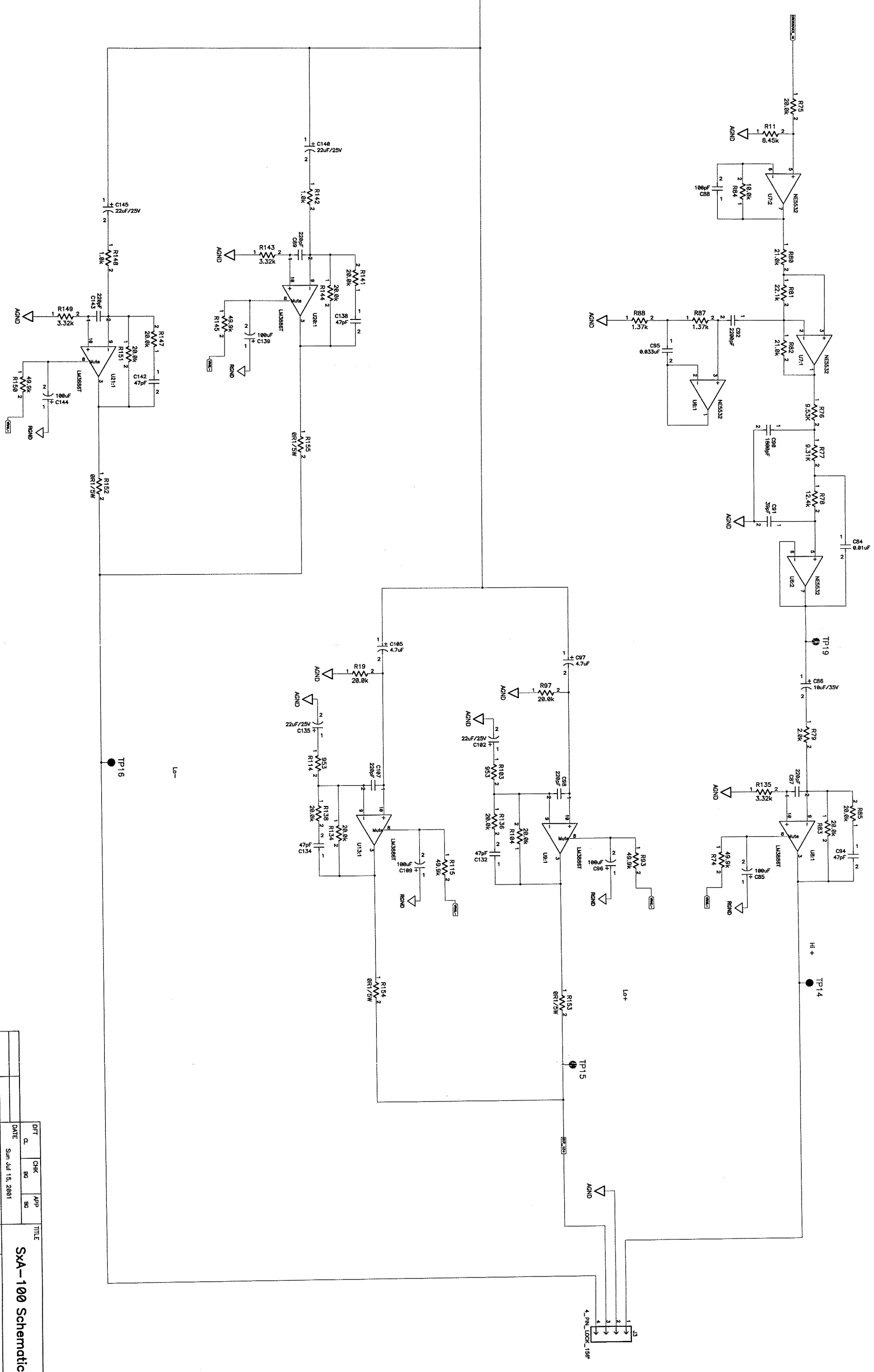
NEXT ASSY.

CAD GENERATED DRAWING

FILE NAME: Sxa-100\_Pw3.sch

REV.	DESCRIPTION	LOC.	REV.	STATUS	ECO NO.	DFT	CHK	APP	DATE

Corrections



REV.	DATE	APP.	CHK.	BY	DESCRIPTION
2	Sun Jul 15, 2001	BC	BC		

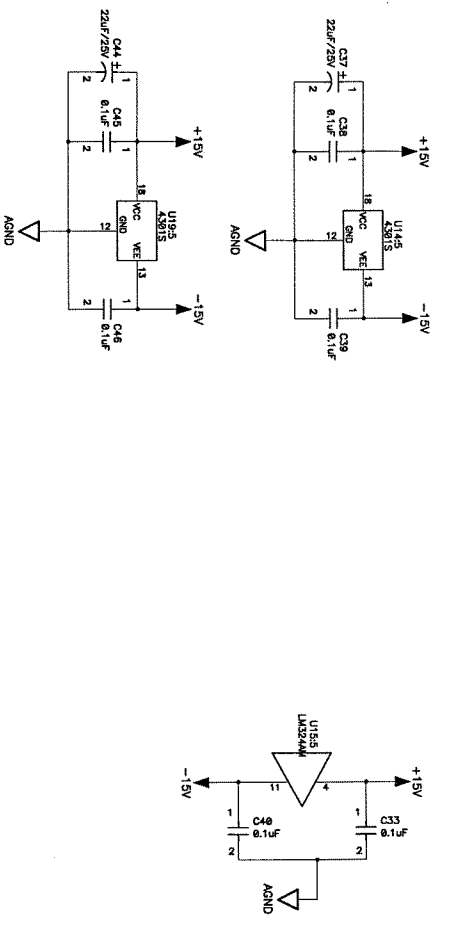
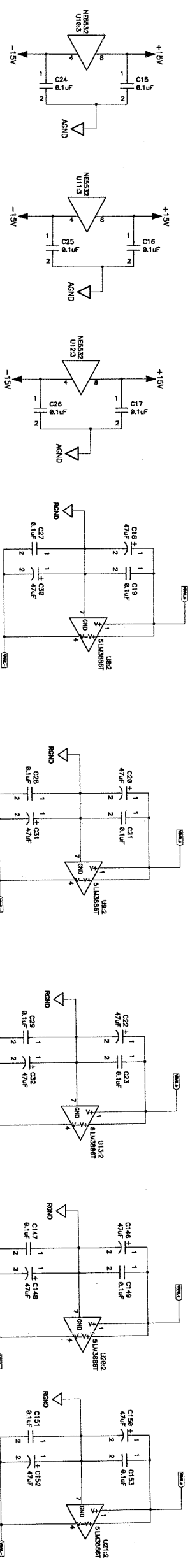
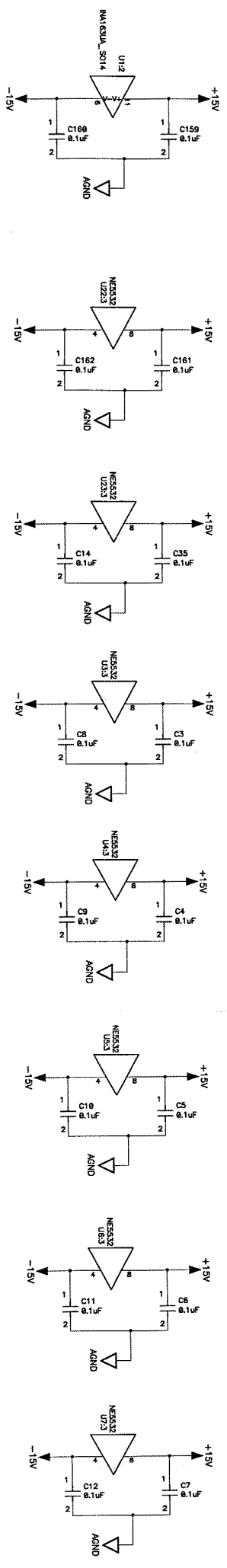
**TELEX**  
TELEX COMMUNICATIONS, INC.  
MINNEAPOLIS, MN

**SxA-100 Schematic**

SIZE: 600633  
SHT. 5 OF 7  
PLANT DIST. B.E.

CAD GENERATED DRAWING  
FILE NAME: SxA-100\_Rev02.dwg

8 7 6 5 4 3 2 1



ECO NO.	DFT	CHK	APP	DATE

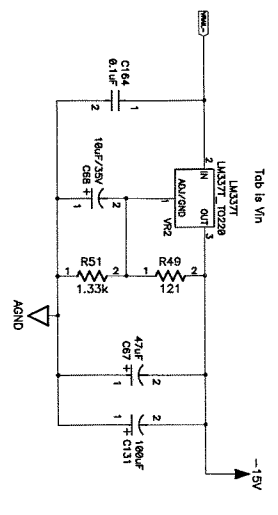
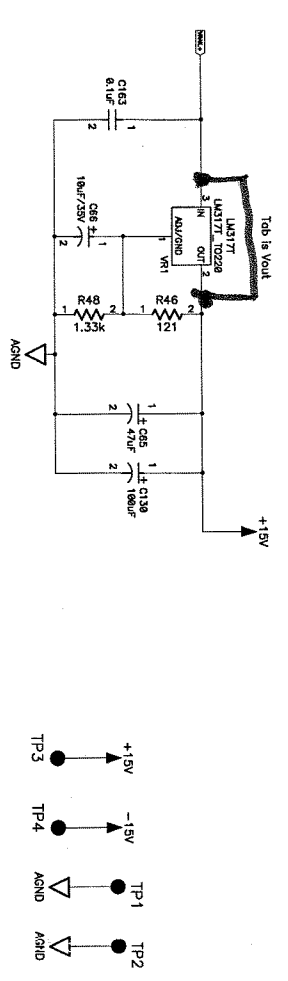
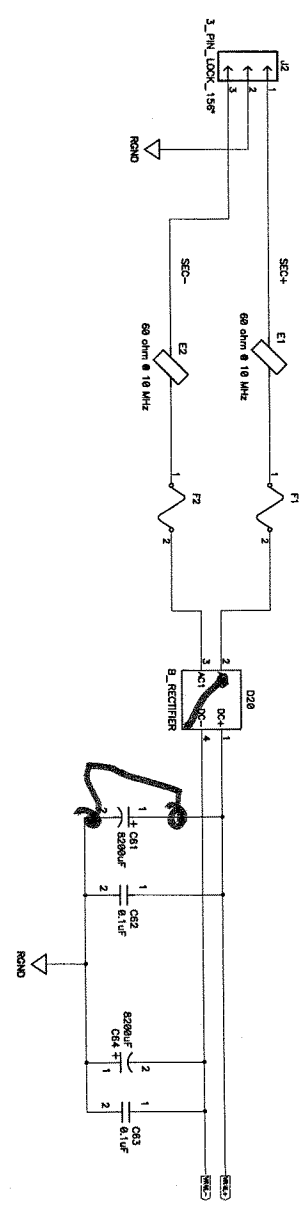
REV.	DESCRIPTION	LOC	REV	DATE

DFT	cl	CHK	86	APP	86	TITLE	SXA-100 Schematic
DATE	Sun Jul 15, 2001						

SIZE	DWG. NO.	600633
SHT.	6	OF 7
PLANT DIST.	B.E.	

CAD GENERATED DRAWING  
 FILE NAME: SMA-100\_Rev3.sch

MODEL	NEXT ASSY.
SMA-100	600633
TELEX COMMUNICATIONS, INC. MINNEAPOLIS, MN	



DFT		CHK	APP	TITLE
ca	bc	bd	bd	
DATE		Sun Jul 15, 2001		<b>SXA-100 Schematic</b> DWG. NO. 600633 SH: 7 OF 7 PLANT DIST. B.E.
TELEX COMMUNICATIONS, INC. MINNEAPOLIS, MN				
CAD GENERATED DRAWING		SXA-100_Pwr3.sch		SIZE D REV. 2
FILE NAME:		SXA-100_Pwr3.sch		
SXA-100 MODEL		000033 NEXT ASSY:		