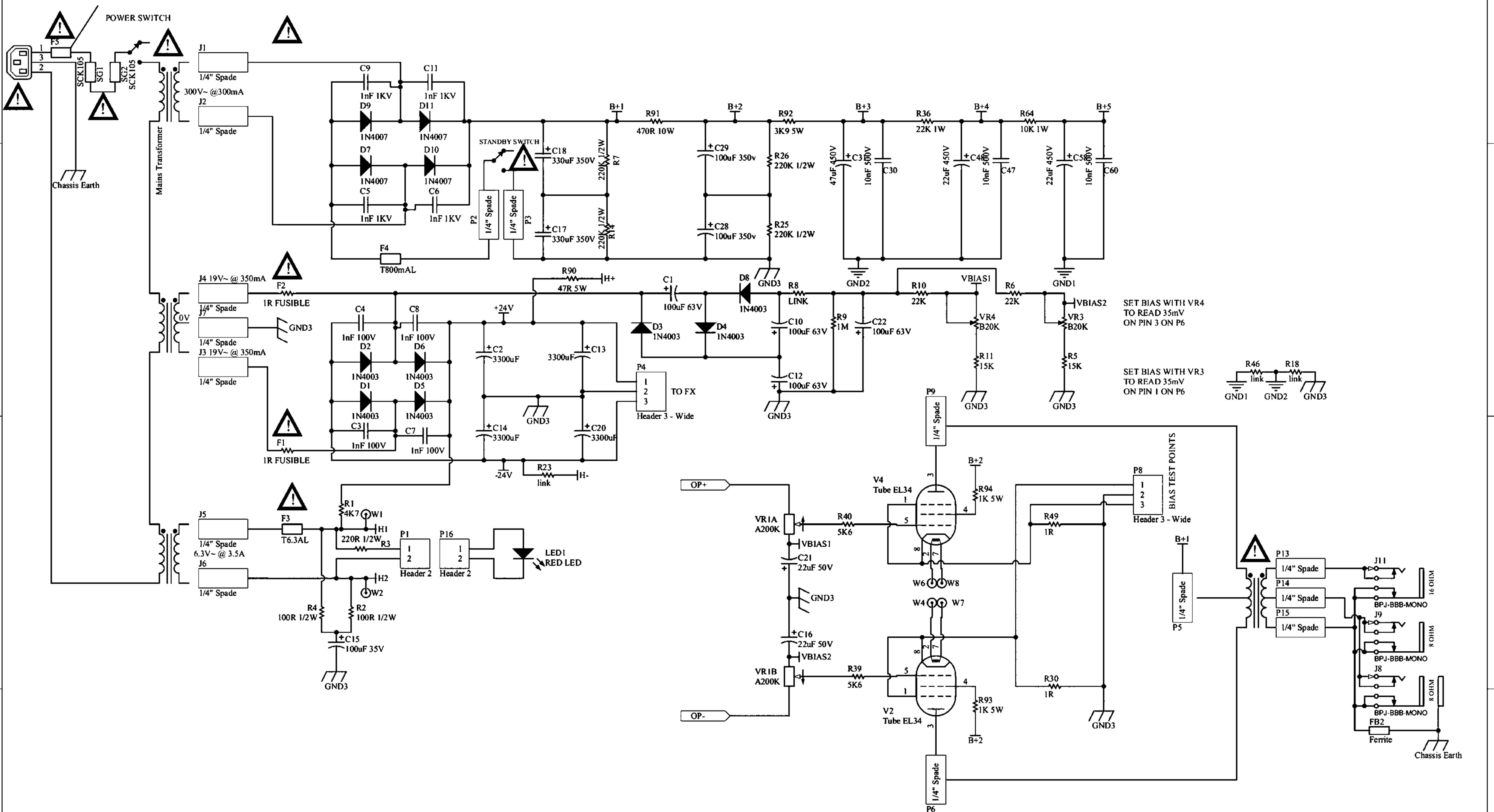


SAFETY CRITICAL COMPONENT
 REPLACE ONLY WITH THE SAME
 TYPE & RATING
 IF IN DOUBT CONTACT SUPPLIER

Author: D Clarke	Title: Night Train 50	VOX R&D Ltd. 64 Alton Drive Bradwell Abbey Milton Keynes Bucks, MK13 9JH
Checked By: N Saich	Date: 20/1/2011	Revision: JSS1b
	Time: 15:52:15	Sheet 1 of 2
	File: V:\Altium\NT50\Release\Release ISS1b\Source\NT50_SchDoc	

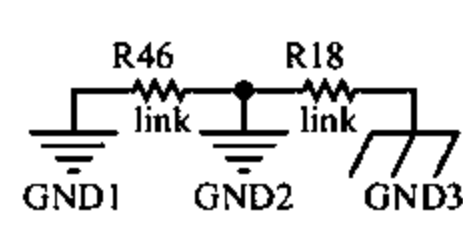


100V-120V: T3.15AL/250V, 220-240V:T1.6AL/250V



SET BIAS WITH VR4 TO READ 35mV ON PIN 3 ON P6

SET BIAS WITH VR3 TO READ 35mV ON PIN 1 ON P6



BIAS TEST POINTS

Issue	Reason for change	Date	Revised by
1b	Change R90 to 47R 5Watt	19/01/2011	D Clarke

Author: D Clarke Title: **Night Train 50**

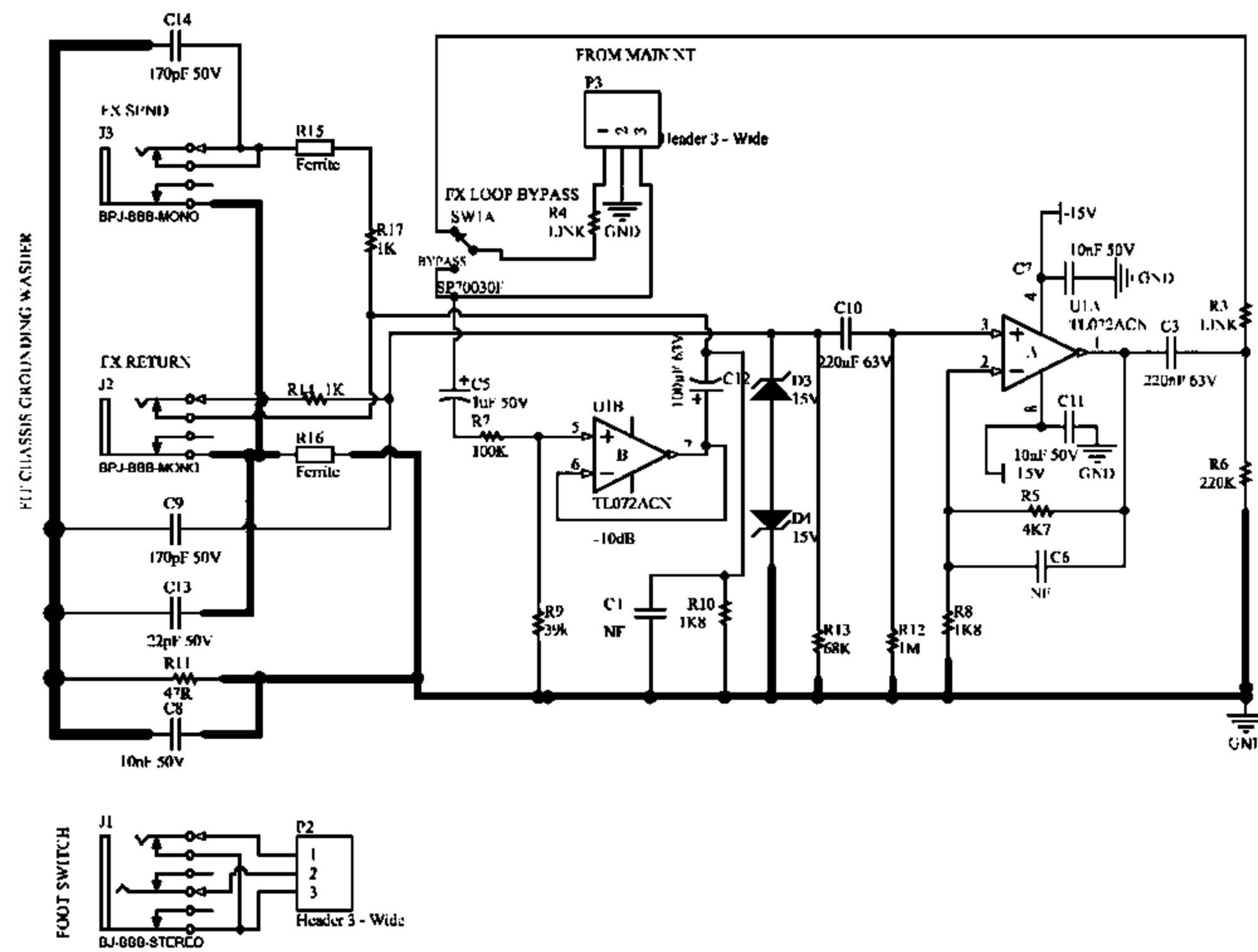
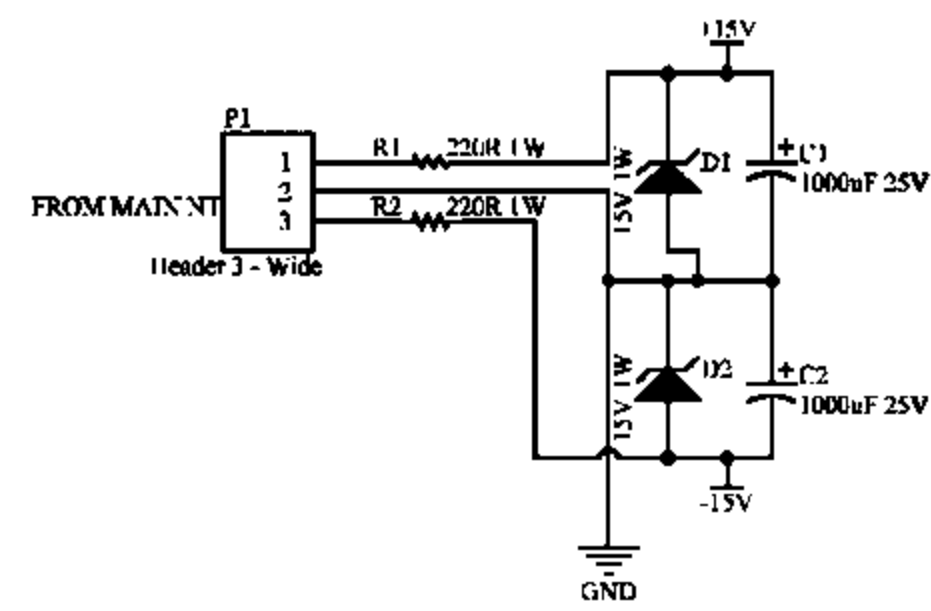
Checked By: N Satoh Size: A3 Number: Revision: ISS1b

Date: 20/01/2011 Time: 15:52:15 Sheet 2 of 2

File: V:\Altium\NT50\Releases\Release ISS1b\Source\NT50 Power.SchDoc

SAFETY CRITICAL COMPONENT
REPLACE ONLY WITH THE SAME
TYPE & RATING
IF IN DOUBT CONTACT SUPPLIER

VOX R&D Ltd.
 64 Alston Drive
 Bradwell Abbey
 Milton Keynes
 Bucks, MK13 9HB



Note: Do not use these parts with "NF"

Author: D Clarke	Title: NTFX loop and USB Interface		VOX R&D Ltd. 64 Alston Drive Bradwell Abbey Milton Keynes
Checked By: *	Size: A2	Number:	Revision: ISS1a
	Date: 18/12/2010	Time: 15:39:50	Sheet 1 of 1
	Title: V:\Allium\NTFX\USB\Releases\Releases\ISS1a\Source\NTFX_ISS1a_Sch1.Doc		

