

MESA/BOOGIE TRANSATLANTIC TA15

PREAMP PART 1

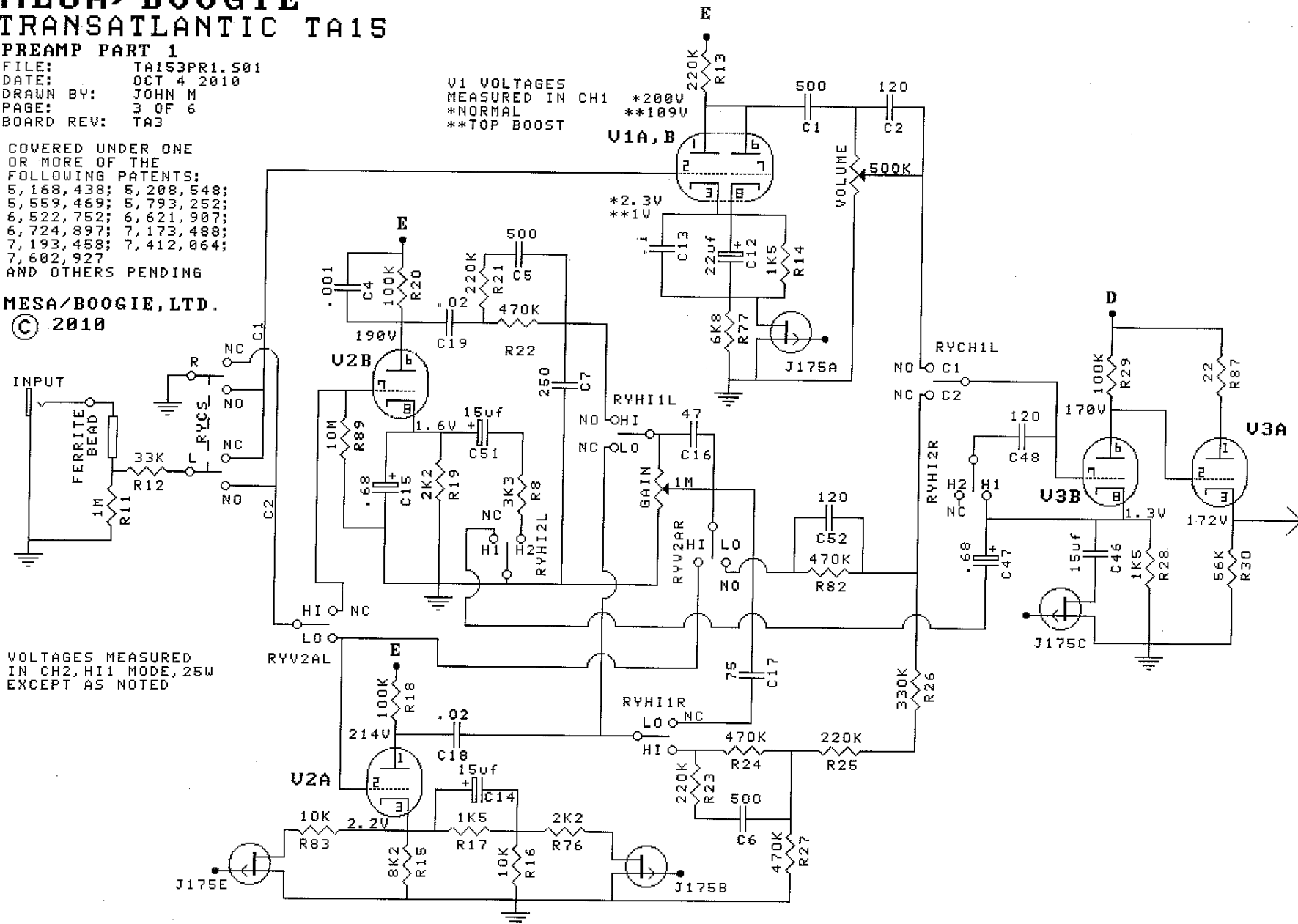
FILE: TA153PR1.S01
 DATE: OCT 4 2010
 DRAWN BY: JOHN M
 PAGE: 3 OF 6
 BOARD REV: TA3

V1 VOLTAGES
 MEASURED IN CH1 *200V
 *NORMAL **109V
 **TOP BOOST

COVERED UNDER ONE
 OR MORE OF THE
 FOLLOWING PATENTS:
 5,168,438; 5,208,548;
 5,559,469; 5,793,252;
 6,522,752; 6,621,907;
 6,724,897; 7,173,488;
 7,193,458; 7,412,064;
 7,602,927
 AND OTHERS PENDING

MESA/BOOGIE, LTD.

© 2010



VOLTAGES MEASURED
 IN CH2, HI1 MODE, 25V
 EXCEPT AS NOTED