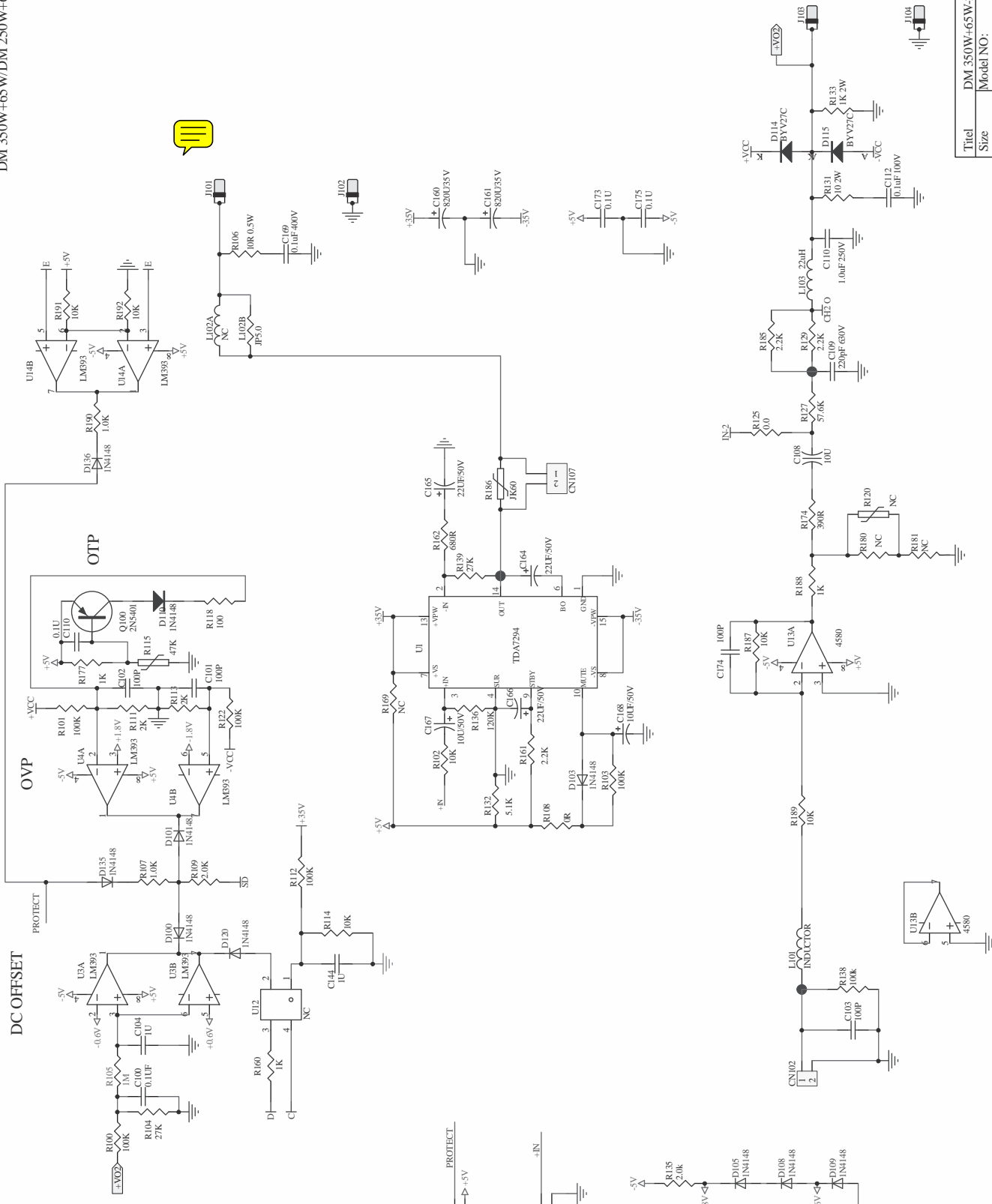


DM 350W+65W/DM 250W+65W MAIN SCH(2/3)



Titel	DM 350W+65W-2	Revision	VER111228
Size	A3	Model NO:	DM-350W+65W
Date	2012/5/28	Date	2012/5/28
File	HB0330.DM_350W(250W)+65W.Dwg	Sheet 2	of 3
		Drawn By	2.XiaoPingHuang