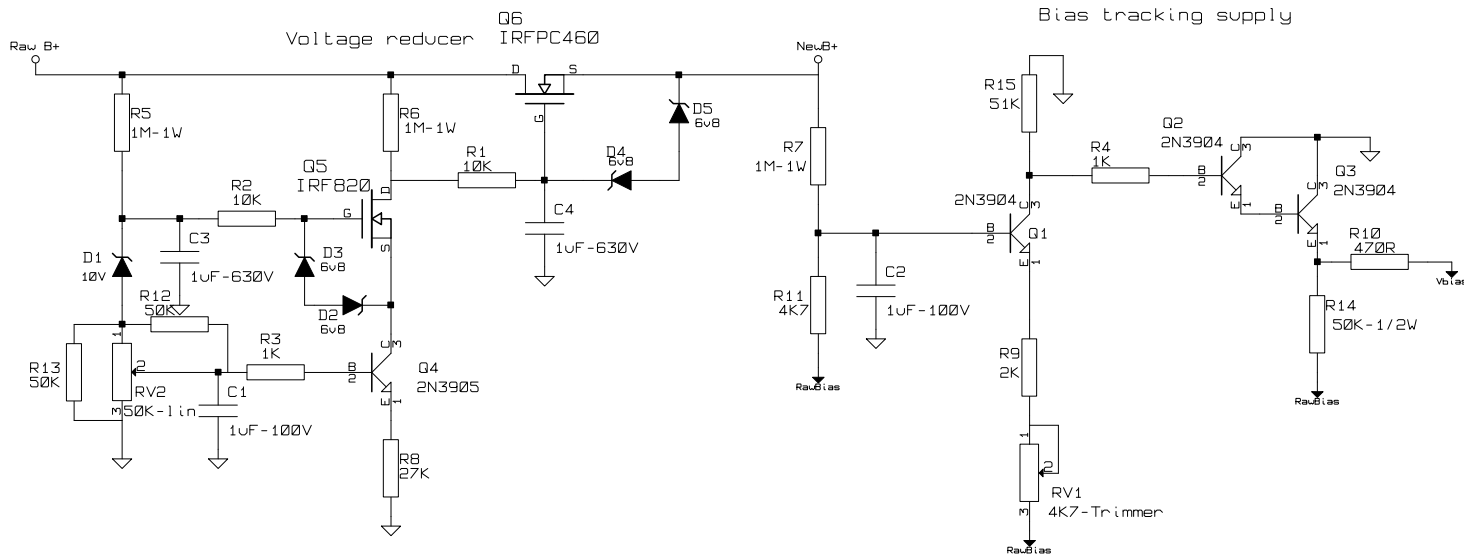


Power Changer

Knowledge required to apply this circuit in real life



All resistors 1/4W otherwise noted
 To use with >50V Bias use other transistors for Q1, Q2 & Q3
 To use with >450V B+ use other Mosfet's
 Copyright Tiago Pires 2007
 Tiago Pires

Title: Power-Changer		Rev: 0.01
Size: A4	Date: 14 jun 2007	
KiCad E.D.A. EESchema (2007-02-16)		Sheet: 1 / 1