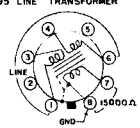
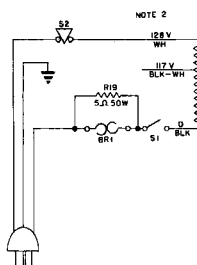


- NOTES:
1. INSERT ACCESSORY RELAY CONTACTS IN POINT MARKED X
 2. AS SHIPPED, PRIMARY CONNECTED TO 128V TAP

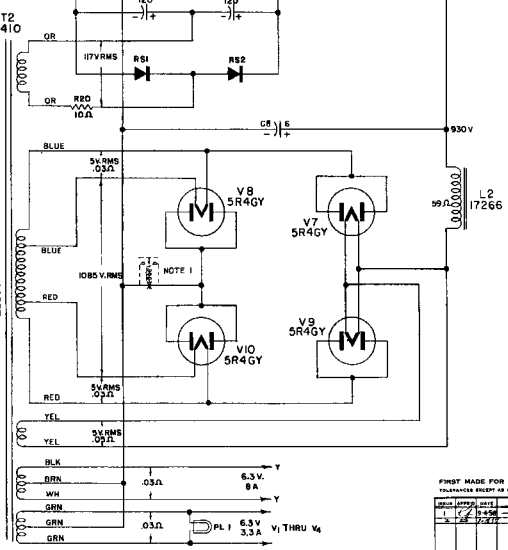


LEGEND:

Ω = OHMS
 K = 1000 Ω
 M = 100000 Ω
 ALL CAPACITANCE VALUES IN MFD.
 UNLESS OTHERWISE INDICATED



ALTEC LANSING 1570B AMPLIFIER



FIRST MADE FOR 1570 B AMPLIFIER
 POLYMER CASE EXCEPT AS NOTED PAGE 2. CASE DIM. 3. DIMENSIONS GIVEN IN INCHES UNLESS OTHERWISE INDICATED.

DATE	DESIGNER	CHECKER
11-15-56	W. J. HARRIS	W. J. HARRIS
11-15-56	W. J. HARRIS	W. J. HARRIS

ALTEC
 A. T. & L. COMPANY
 1570 B AMPLIFIER
 SCHEMATIC
 6697-2