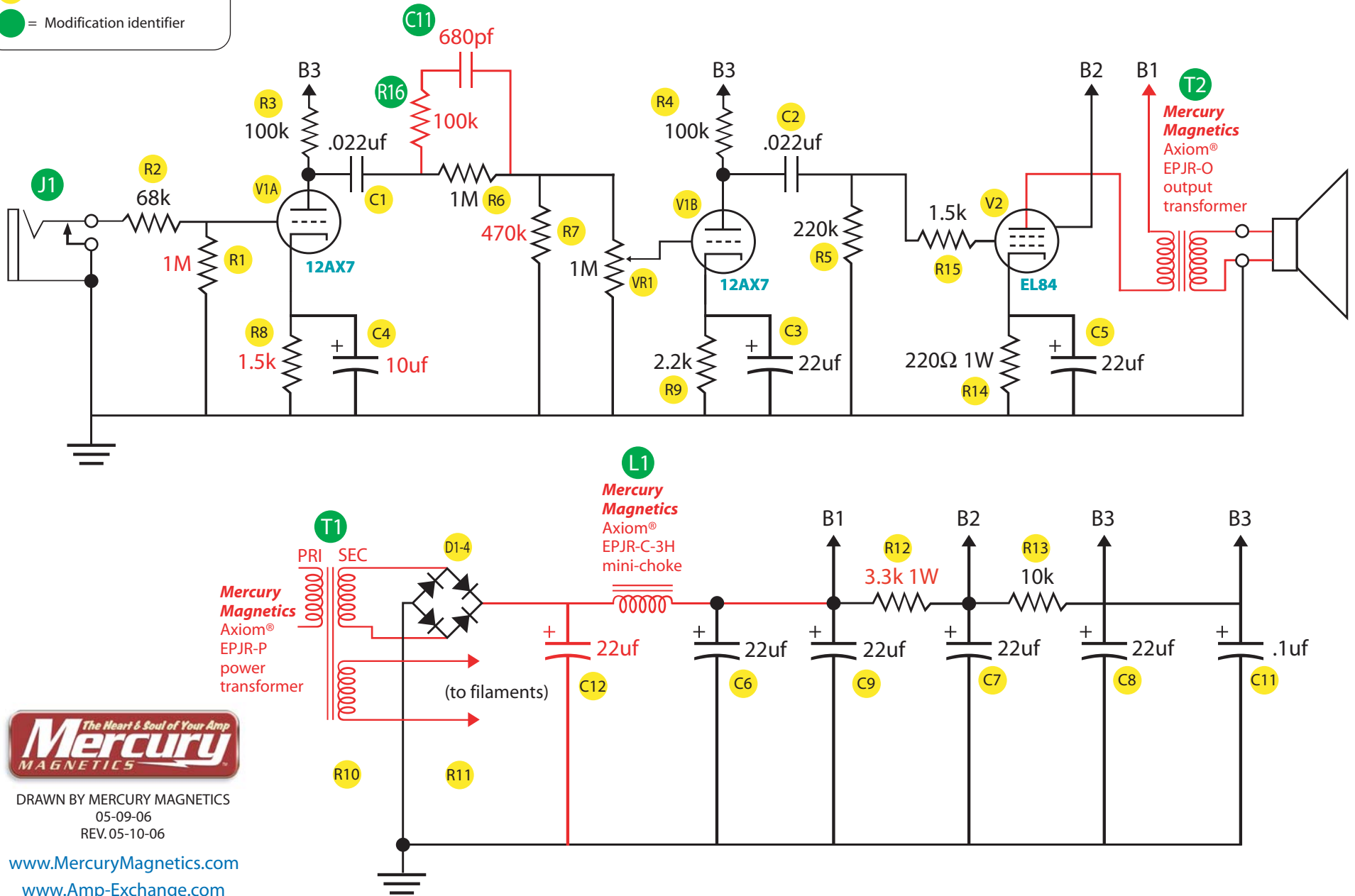




Valve Junior Combo

(Alan Cyr / Mercury Magnetics modification • "Version 2" circuit board design)

- = RED indicates modification
- = Original board identifier
- = Modification identifier



DRAWN BY MERCURY MAGNETICS
05-09-06
REV. 05-10-06

www.MercuryMagnetics.com
www.Amp-Exchange.com