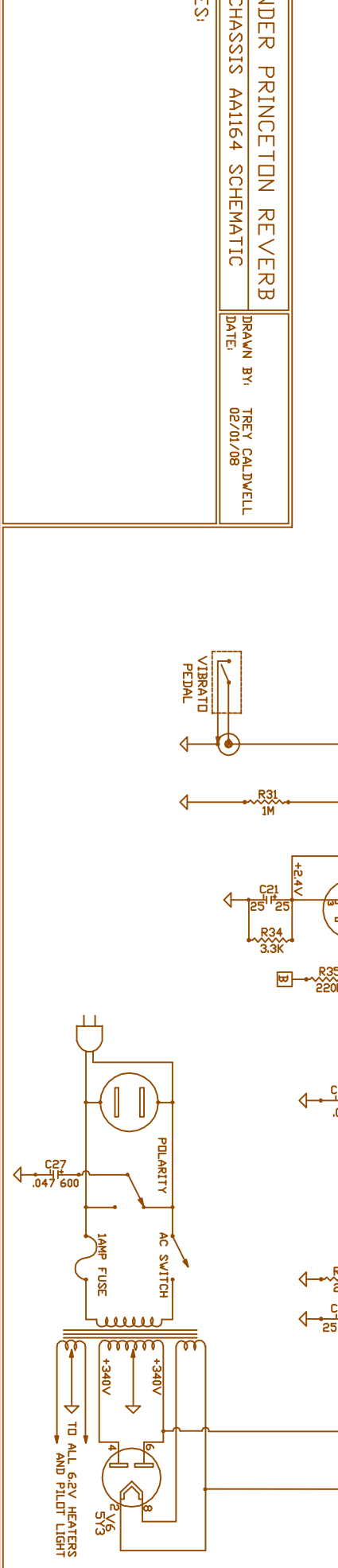
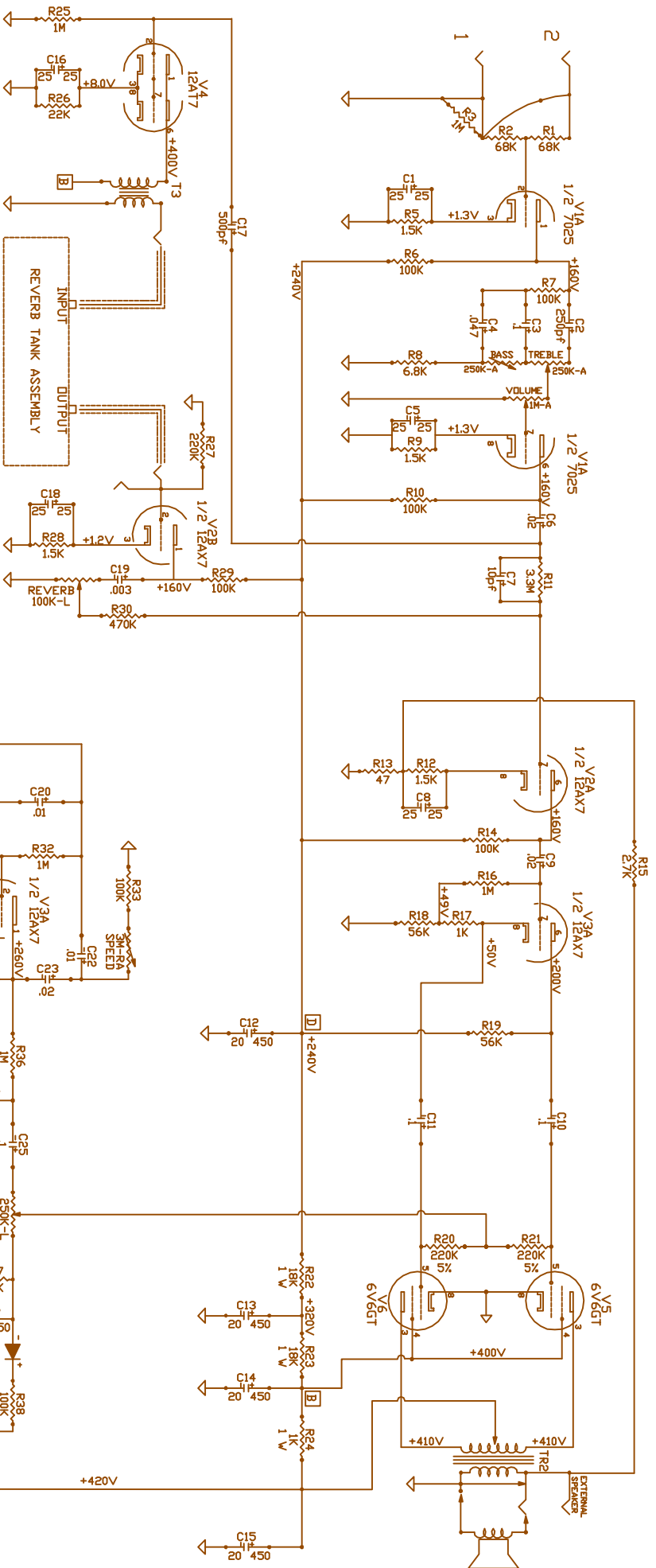


# FENDER PRINCETON REVERB CHASSIS AA1164 SCHEMATIC

DRAWN BY: TREY CALDWELL  
DATE: 02/01/08

## NOTES:



REVERB TANK ASSEMBLY

INPUT OUTPUT

REVERB 100K-L

REVERB INTENSITY

TO ALL 6.2V HEATERS AND PILOT LIGHT