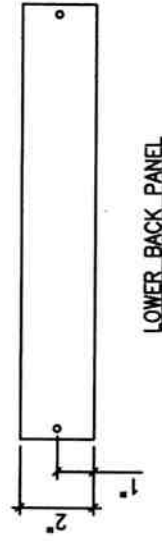
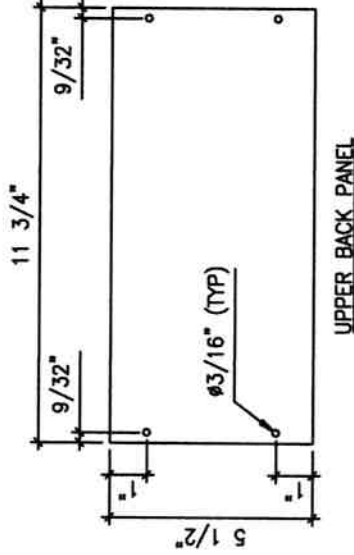
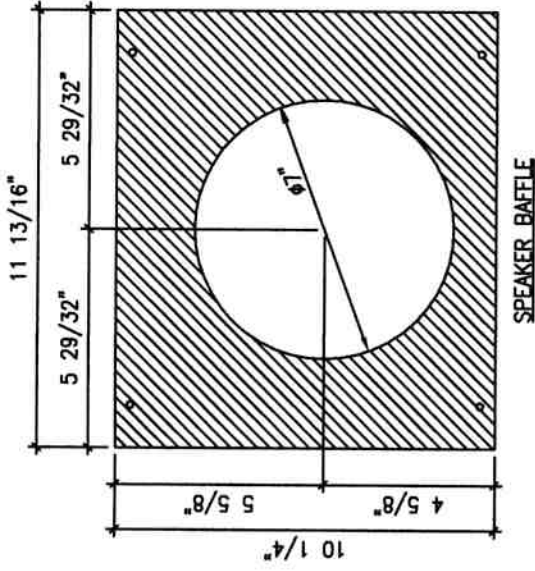
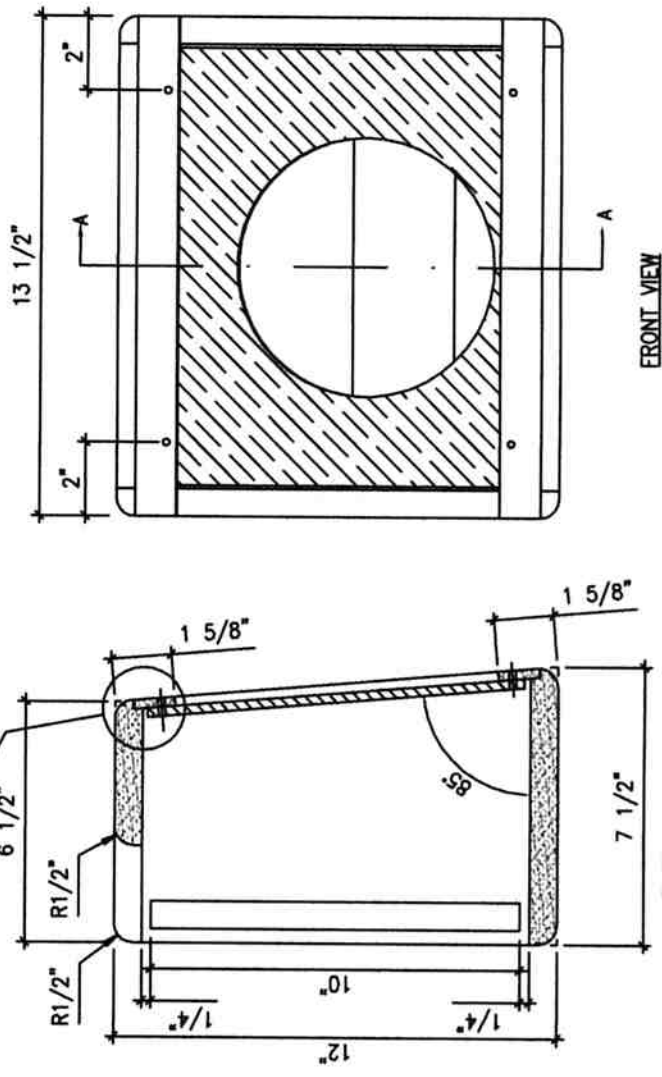
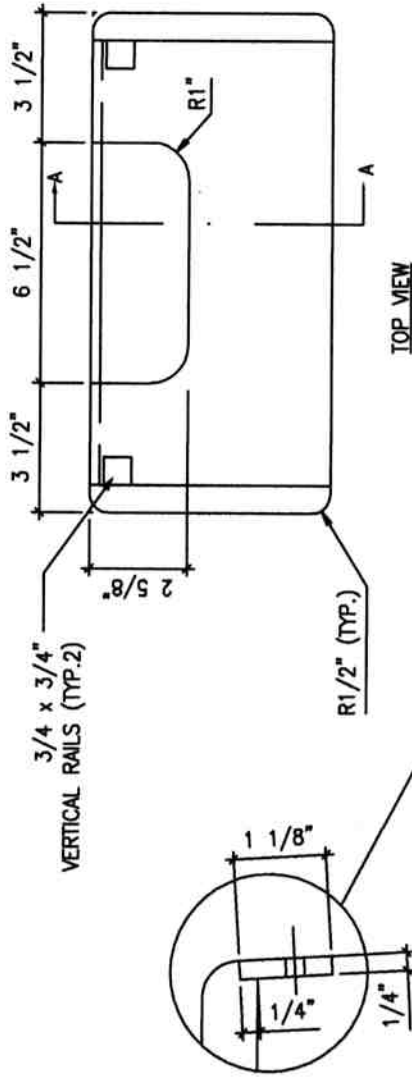


NOTE: 3/32" GAPS HAVE BEEN DEDUCTED FROM BACK PANEL AND BAFFLE DIMS TO ALLOW FOR TWEED AND GRILL CLOTH.



Dueltone Amps
 CALGARY ALBERTA WWW.DUELTONEAMPS.COM
 "CHAMP" CABINET (5F1)
 DRAWING NO. 1 OF 1
 DRAWN BY JOE ROGERS DATE DRAWN APRIL 22, 2004 REV

- MATERIALS
- 1) 3/4" SOLID PINE
 - 2) 1/4" SOLID PINE - FRONT "NARROW" PANELS.
 - 3) 1/4" BAL TIC BIRCH PLYWOOD - BACK PANELS & SPEAKER BAFFLE.