

NOTE:  
 FOR 120VAC USE S1 AND S3 ONLY.  
 FOR 240VAC USE S2 ONLY.

ROCKFORD PRO DIVISION	
609 MYRTLE, GRAND RAPIDS, MI. 49504	
Title	T2 TUBE PREAMP W/PULL BOOST
Size	Document Number
B	T2REV4.SCH
Date:	November 13, 1990
Sheet	1 of 1

6

5

4

3

2

1

D

D

C

C

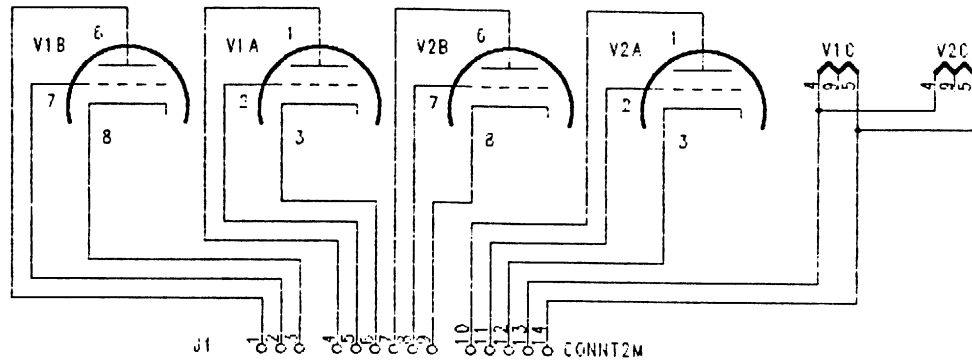
B

B

A

A

REVISION RECORD			
LTR	ECO NO:	APPROVED:	DATE:



COMPANY:				ROCKFORD PROFESSIONAL			
TITLE:				T2 TUBE MODULE			
CODE:	SIZE:	DRAWING NO:		REV:			
	A	TMOD. SCH					
SCALE:				SHEET: 1 OF 1			

DRAWN:	DATED:
J. STEELE	6-22-90
CHECKED:	DATED:
QUALITY CONTROL:	DATED:
RELEASED:	DATED: