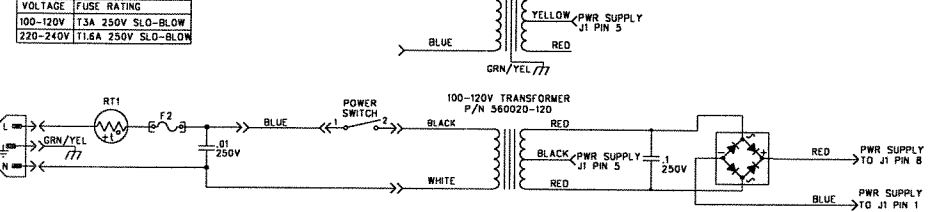
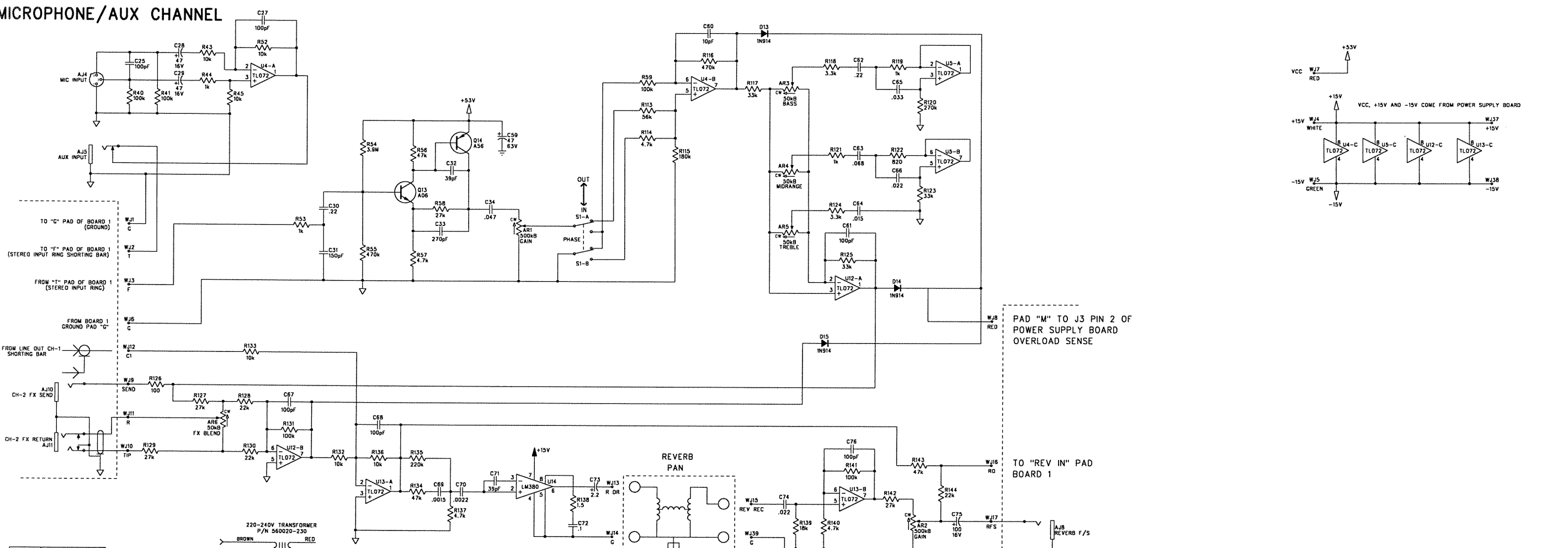
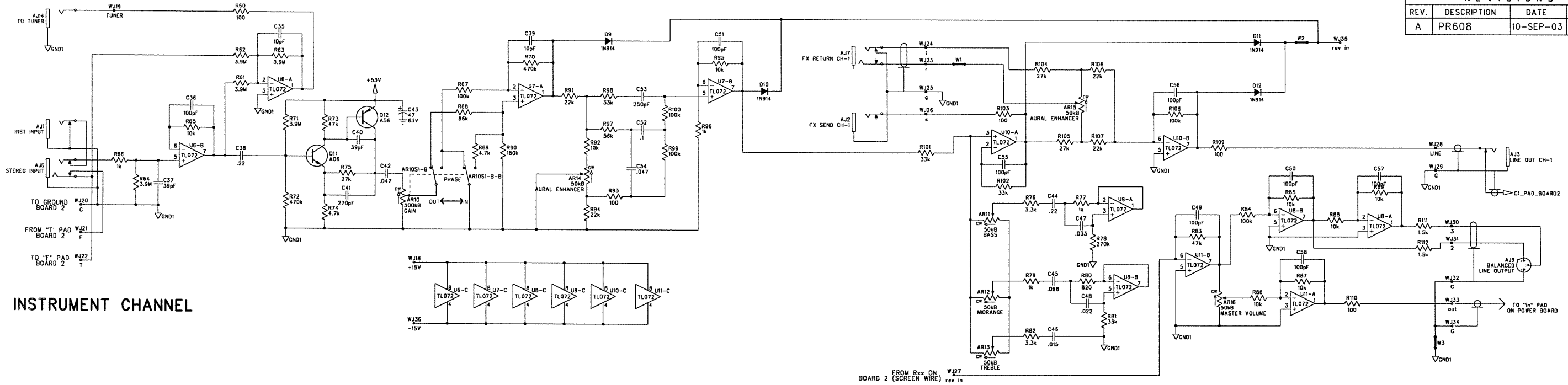


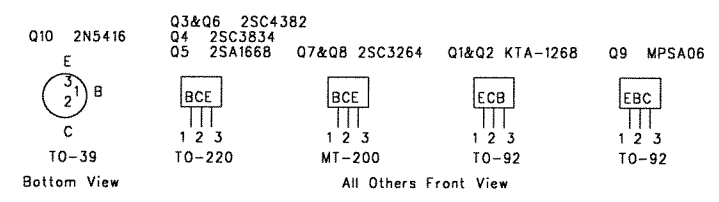
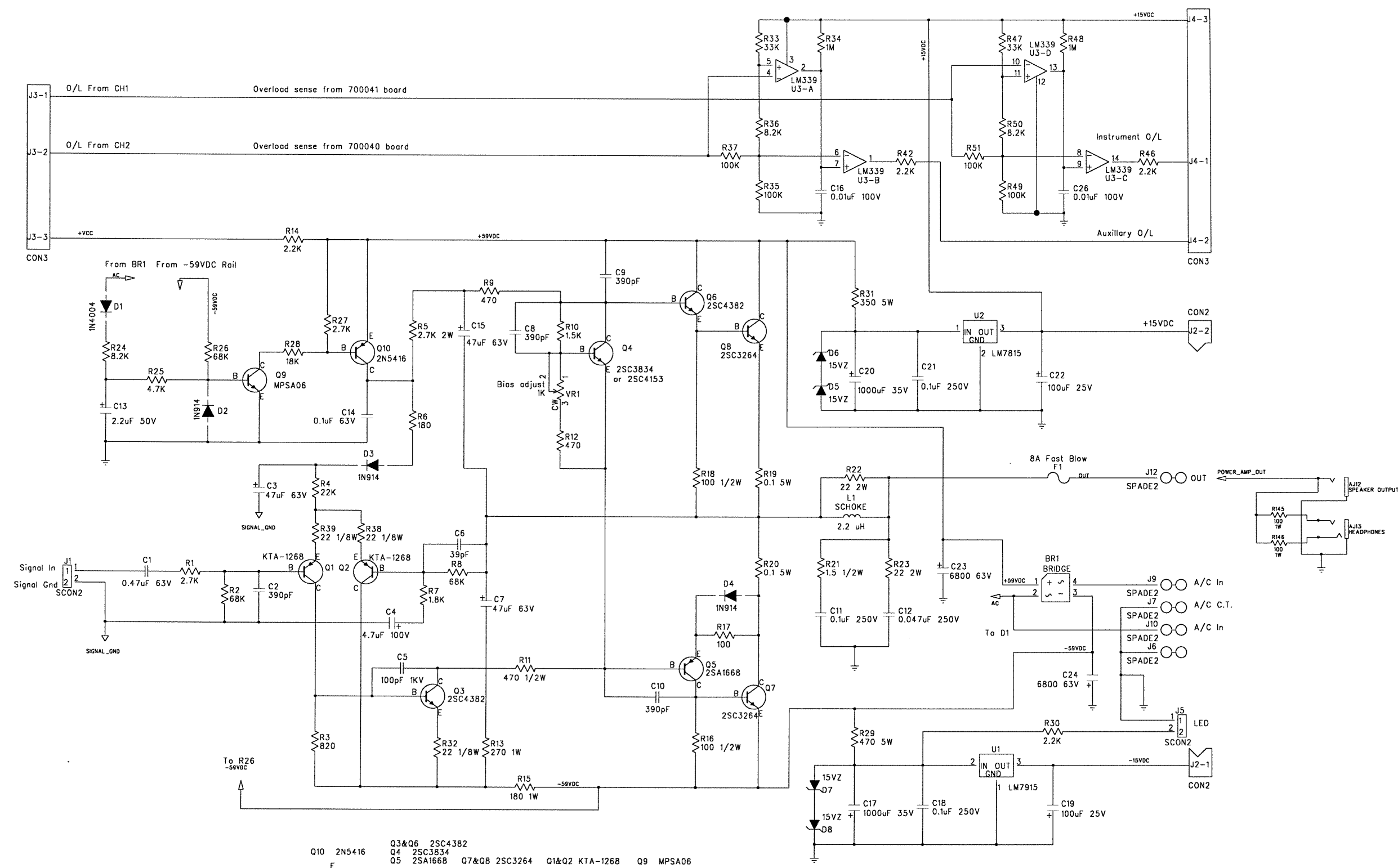
REVISIONS			
REV.	DESCRIPTION	DATE	APPROVED
A	PR608	10-SEP-03	JCS



THIS DOCUMENT CONTAINS INFORMATION OF A PROPRIETARY NATURE TO FENDER MUSICAL INSTRUMENTS AND IS SUBMITTED TO YOU IN CONFIDENCE AND SHALL NOT BE DISCLOSED OR TRANSMITTED TO OTHERS WITHOUT AUTHORIZATION FROM FENDER MUSICAL INSTRUMENTS.		<b>MUSICAL INSTRUMENTS</b> Corona, CA U.S.A.	
CHECKED BY:	DATE:	TITLE: SERVICE DIAGRAM, COMBINED (schematic) SWR - CALIFORNIA BLONDE PREAMP ASSY'S	REV. A
APPROVED BY: <i>S. Stillwell</i>	DATE: 9-22-03	SIZE: D	DRAWING NUMBER: 0063780000
DRAWN: STILLWELL	ENGR: STILLWELL	RELEASE DATE: 10-SEP-03	SHEET: 1 OF 2

1. ALL RESISTORS IN OHMS, 5% 1/4W.  
NOTES: (UNLESS OTHERWISE NOTED)

REVISIONS			
REV.	DESCRIPTION	DATE	APPROVED
A	PR608	10-SEP-2003	JCS



NOTES (Unless otherwise specified):  
 1. All resistor in ohms, 1/4 watt, 5%

PCB FAB 700042E

<small>THIS DOCUMENT CONTAINS INFORMATION OF A PROPRIETARY NATURE TO FENDER MUSICAL INSTRUMENTS AND IS SUBMITTED TO YOU IN CONFIDENCE AND SHALL NOT BE DISCLOSED OR TRANSMITTED TO OTHERS WITHOUT AUTHORIZATION FROM FENDER MUSICAL INSTRUMENTS.</small>		<b>MUSICAL INSTRUMENTS</b> Corona, CA USA	
CHECKED BY:	DATE:	TITLE: SERVICE DIAGRAM COMBINED (schematic) SWR - CALIFORNIA BLONDE POWER AMP ASSY	
APPROVED BY: <i>E. Stillwell</i>	DATE: 9-22-03	SIZE: D	DRAWING NUMBER: 0063780000
DRAWN: STILLWELL	ENGR: STILLWELL	RELEASE DATE: 10-SEP-03	REVISION: A
DATABASE FILE:		RELEASE DATE: 10-SEP-03	SHEET: 2 OF 2