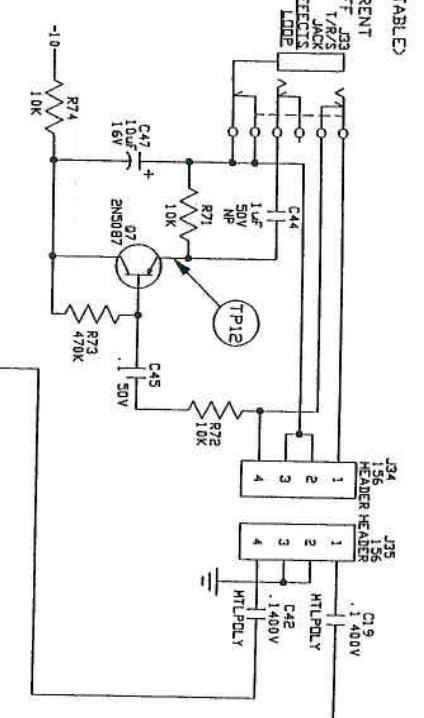


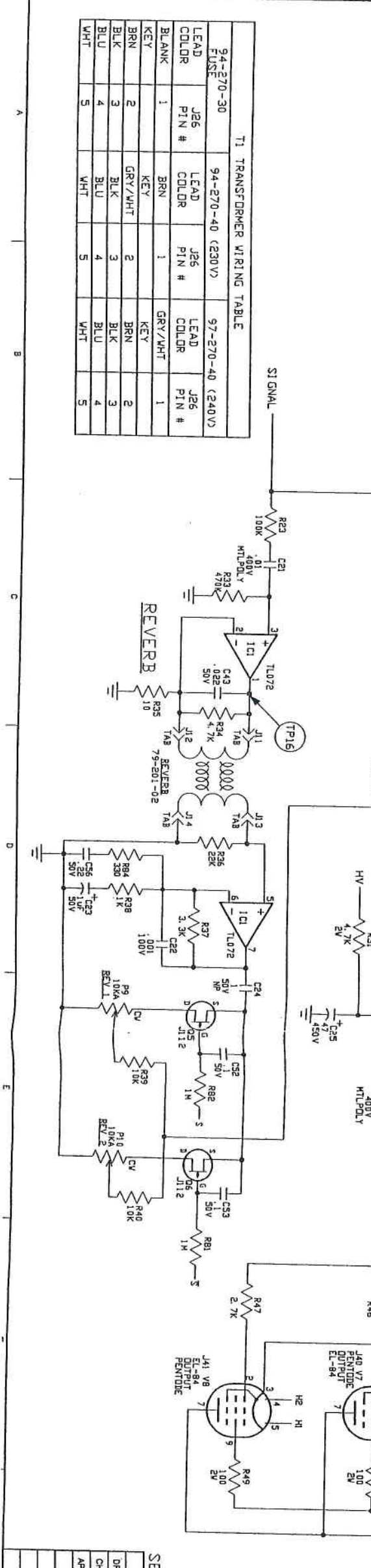
NOTE: THE BRN AND GRV/WHT LEADS ARE REVERSED ON THE 97-270-40 XFMR, WHEN WIRED FOR 240V. (SEE TABLE) FUSE-1.5A, PLUS A 3A IN-RUSH CURRENT LIMITER LOCATED BETWEEN THE ON-OFF SWITCH AND THE FUSE (F1)

EFFECTS LOOP



T1 TRANSFORMER WIRING TABLE

94-270-30	94-270-40 (230V)	97-270-40 (240V)
LEAD	LEAD	LEAD
COLOR	COLOR	COLOR
BLANK	BRN	GRV/WHT
KEY	KEY	KEY
BRN	GRV/WHT	BRN
BLK	BLK	BLK
BLU	BLU	BLU
WHT	WHT	WHT



ALL CONTROLS MAX. EXCEPT CH. 3 LEVEL, 2.5 AND REV. A, B & D
 INPUT SIGNAL 10mV @ 1KHZ
 LINE VOLTAGE 120VAC @ 60HZ
 ALL DC VOLTAGES WITH NO SIGNAL APPLIED

CHANNEL A (CROWN CHANNEL) CHANNEL B (CARRY CHANNEL)

TP	AC	DC	VOLTAGE	WAVEFORM	AC	VOLTAGE	WAVEFORM
1	1.0V	0V	1.0V	~	1.0V	0V	~
2	1.0V	0V	1.0V	~	1.0V	0V	~
3	1.0V	0V	1.0V	~	1.0V	0V	~
4	1.0V	0V	1.0V	~	1.0V	0V	~
5	1.0V	0V	1.0V	~	1.0V	0V	~
6	1.0V	0V	1.0V	~	1.0V	0V	~
7	1.0V	0V	1.0V	~	1.0V	0V	~
8	1.0V	0V	1.0V	~	1.0V	0V	~
9	1.0V	0V	1.0V	~	1.0V	0V	~
10	1.0V	0V	1.0V	~	1.0V	0V	~
11	1.0V	0V	1.0V	~	1.0V	0V	~
12	1.0V	0V	1.0V	~	1.0V	0V	~
13	1.0V	0V	1.0V	~	1.0V	0V	~
14	1.0V	0V	1.0V	~	1.0V	0V	~
15	1.0V	0V	1.0V	~	1.0V	0V	~
16	1.0V	0V	1.0V	~	1.0V	0V	~
17	1.0V	0V	1.0V	~	1.0V	0V	~
18	1.0V	0V	1.0V	~	1.0V	0V	~
19	1.0V	0V	1.0V	~	1.0V	0V	~
20	1.0V	0V	1.0V	~	1.0V	0V	~
21	1.0V	0V	1.0V	~	1.0V	0V	~
22	1.0V	0V	1.0V	~	1.0V	0V	~
23	1.0V	0V	1.0V	~	1.0V	0V	~
24	1.0V	0V	1.0V	~	1.0V	0V	~
25	1.0V	0V	1.0V	~	1.0V	0V	~
26	1.0V	0V	1.0V	~	1.0V	0V	~
27	1.0V	0V	1.0V	~	1.0V	0V	~
28	1.0V	0V	1.0V	~	1.0V	0V	~
29	1.0V	0V	1.0V	~	1.0V	0V	~
30	1.0V	0V	1.0V	~	1.0V	0V	~

SEE SHEET 1 OF 2 FOR REVISION HISTORY

SIGNATURES:	DATE:
DRWING: MGA	11/07/93
CHK'D:	
APP'D:	
ORIGINAL ISSUED:	
PLOT DATE:	01/27/99
PLOT TIME:	07:47:56
FILE NAME:	28911H9

DRAWING NAME: SCHEMATIC DRAWING
 PROJECT NAME: VC-5XXX
 SCALE: NTS | SHEET: 2 OF 2

Handwritten signature and initials