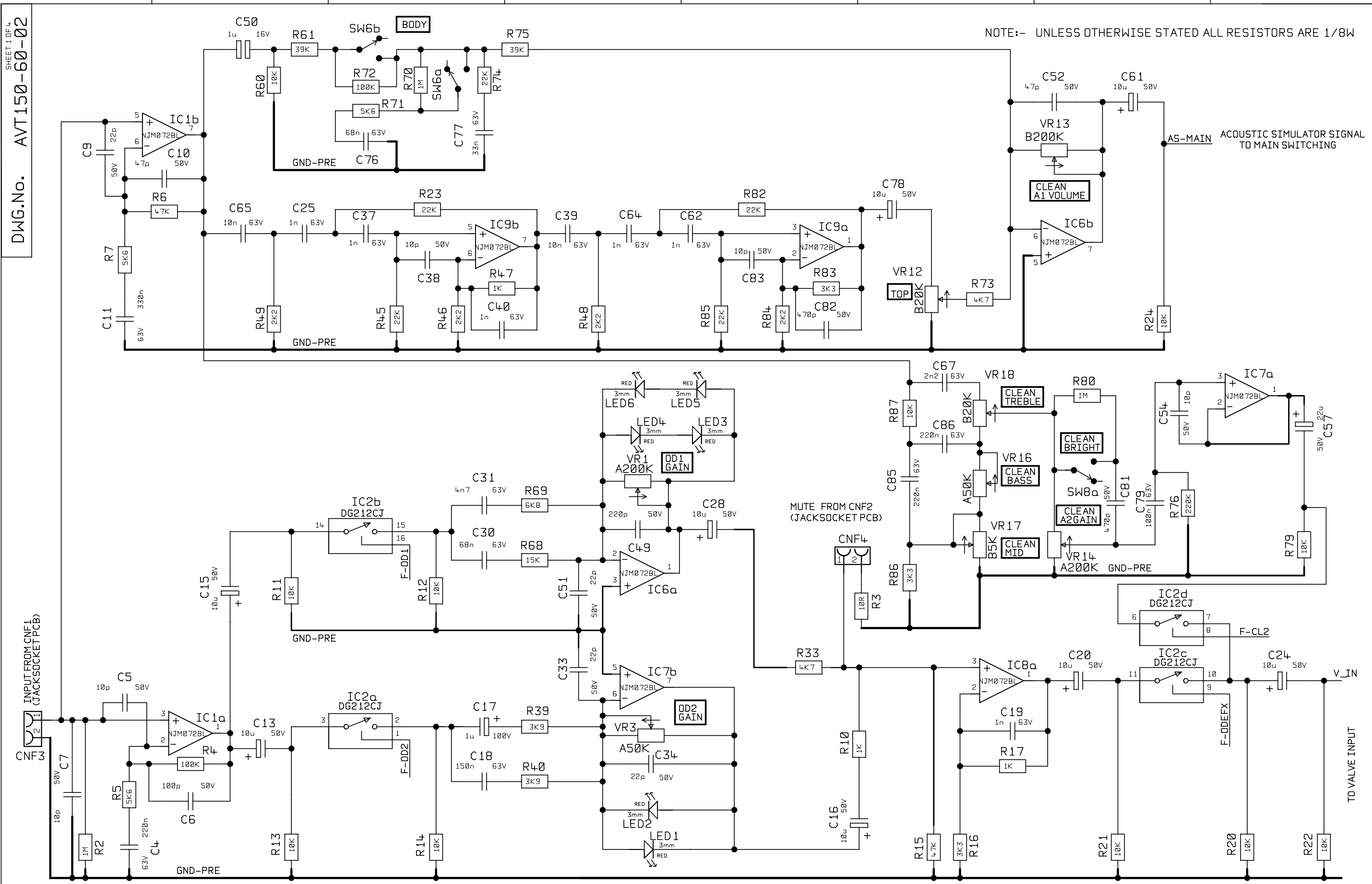


ignorelayers 4

SHEET 1 OF 4
DWG.No. AVT150-60-02

NOTE:- UNLESS OTHERWISE STATED ALL RESISTORS ARE 1/8W



4	2005	28/06/01	ALL OTHER HOLES =				X = (THROUGH PLATED)				
3		24/10/00	A	E	J						
2	1920	22/09/00	B	F	K						
ISS	ECO NUMBER	DATE	C	G	L						
			D	H	M						

MATERIAL		DIMENSIONS IN	
MATERIAL THICKNESS		TOLERANCE (UNLESS OTHERWISE STATED)	
DRAWN RSB	DATE 12/09/00	MODEL	
CHECKED	DATE	AVT150/AVT150H/AVT275	
APPROVED	DATE		

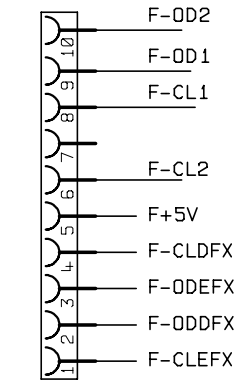


TITLE	FRONT PCB CIRCUIT DIAGRAM	
DWG.No	AVT150-60-02	ISS 4

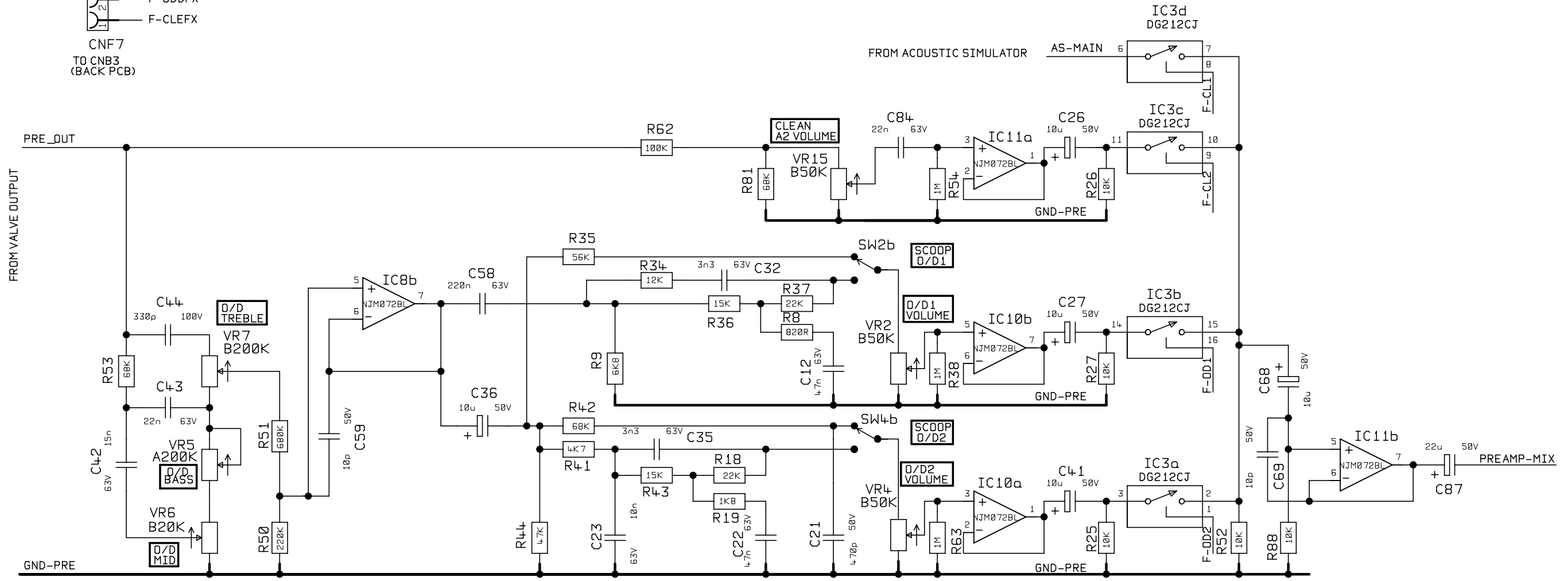
ignorelayers 4

SHEET 2 OF 4
DWG.No. AVT150-60-02

NOTE:- UNLESS OTHERWISE STATED ALL RESISTORS ARE 1/8W



CNF7
TO CNB3
(BACK PCB)

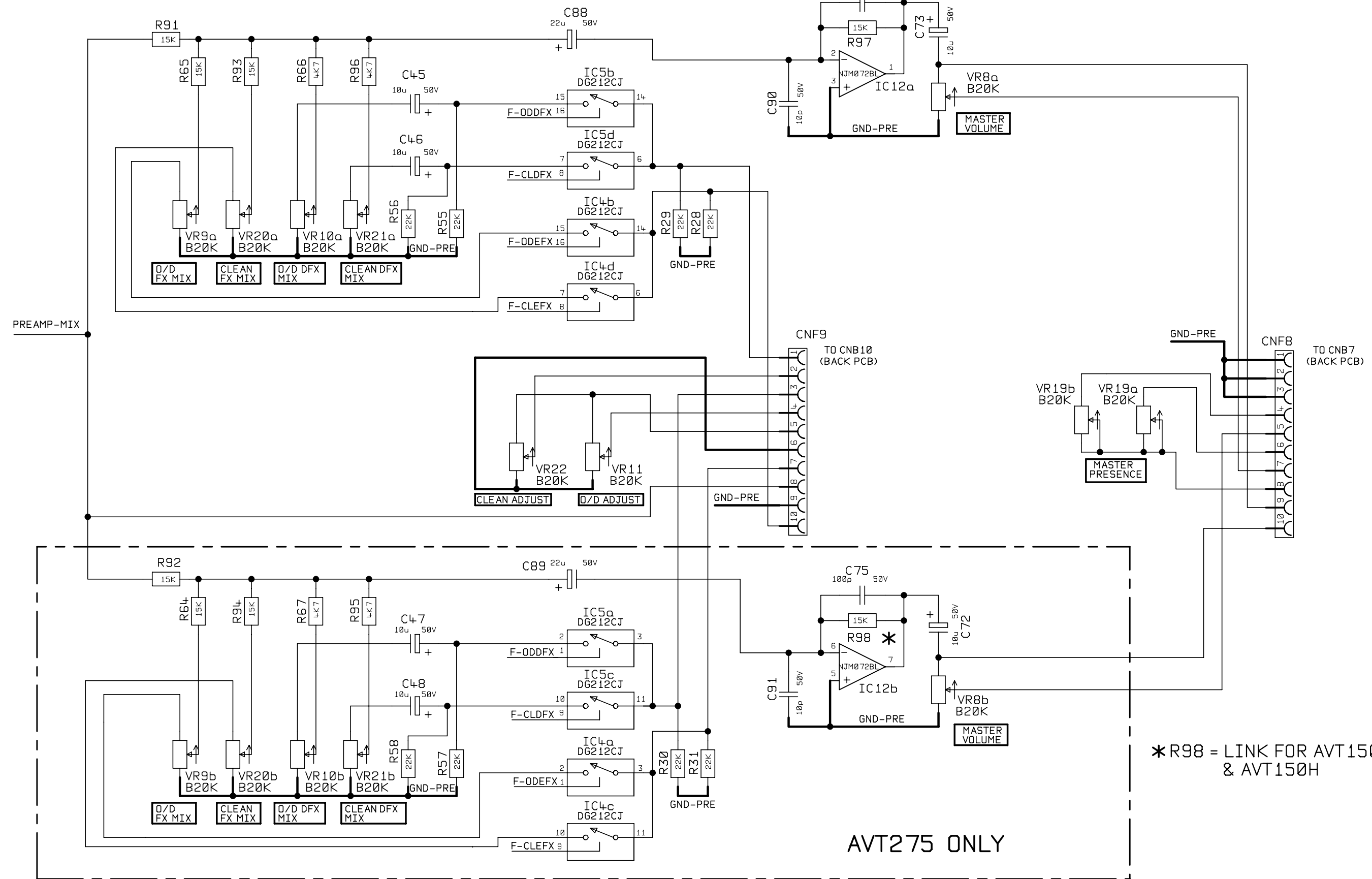


4	2005	28/06/01	ALL OTHER HOLES =				X = (THROUGH PLATED)				MATERIAL	DIMENSIONS IN		 © MARSHALL AMPLIFICATION PLC DENBIGH ROAD, BLETCHLEY, MILTON KEYNES, MK1 10G. TEL: (01908) 375411 FAX: (01908) 376110	TITLE	FRONT PCB CIRCUIT DIAGRAM		
3		24/10/00	A	E	J	N	MATERIAL THICKNESS	TOLERANCE (UNLESS OTHERWISE STATED)		DRAWN	RSB	DATE	12/09/00		DWG.No	AVT150-60-02	ISS	4
2	1920	22/09/00	B	F	K	P	CHECKED	MODEL		DATE								
ISS	ECO NUMBER	DATE	C	G	L	Q	APPROVED	AVT150/AVT150H/AVT275		DATE								
			D	H	M	R												

ignorelayers 4


SHEET 3 OF 4
DWG.No. AVT150-60-02

NOTE:- UNLESS OTHERWISE STATED ALL RESISTORS ARE 1/8W



* R98 = LINK FOR AVT150 & AVT150H

AVT275 ONLY

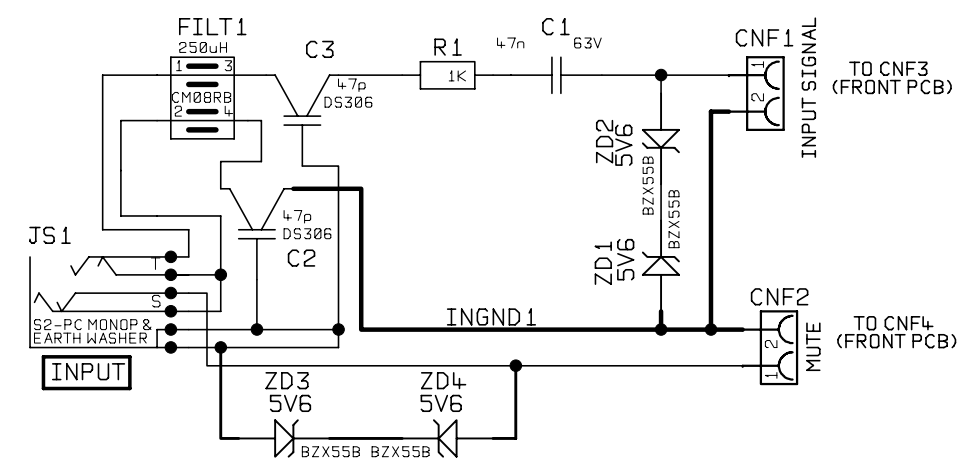
4	2005	28/06/01	ALL OTHER HOLES =												X = (THROUGH PLATED)		MATERIAL		DIMENSIONS IN		 © MARSHALL AMPLIFICATION PLC DENBIGH ROAD, BLETCHLEY, MILTON KEYNES, MK1 1DG. TEL: (01908) 375411 FAX: (01908) 376110	TITLE	FRONT PCB	SHEET 3 OF 4	ISS
3		24/10/00	A		E					J								TOLERANCE (UNLESS OTHERWISE STATED)		DWG.No		AVT150-60-02	4		
2	1920	22/09/00	B		F					K								MODEL							
ISS	ECO NUMBER	DATE	C		G					L								AVT150/AVT150H/AVT275							
			D		H					M															

ignorelayers 4

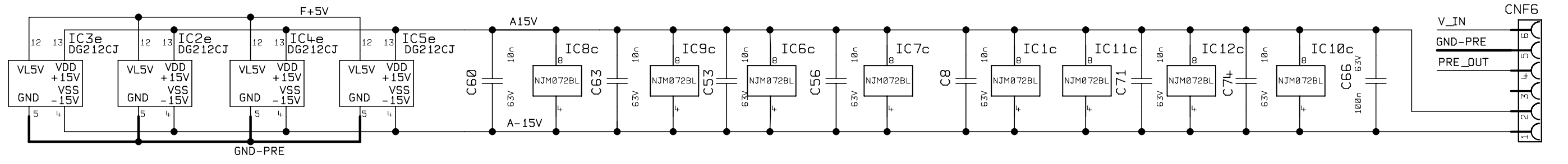
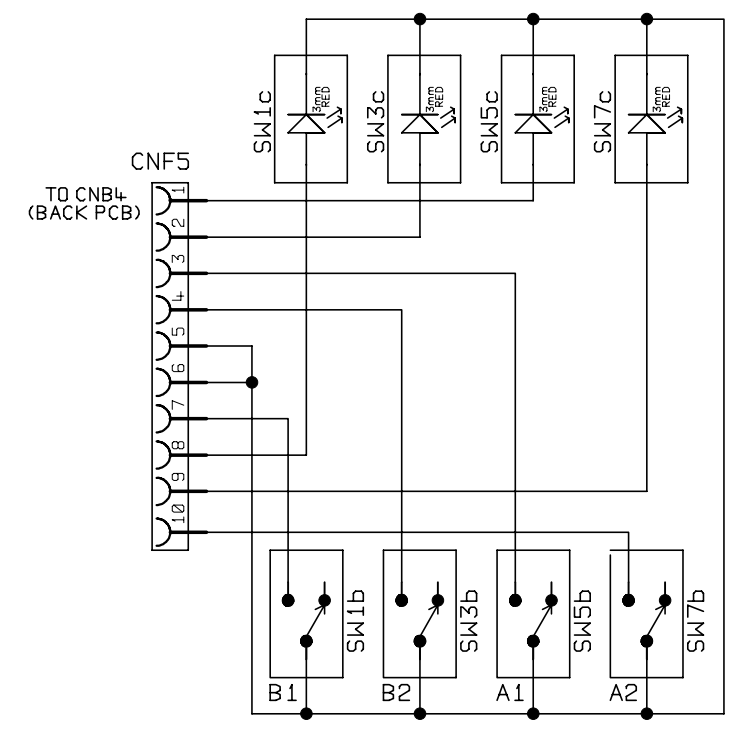
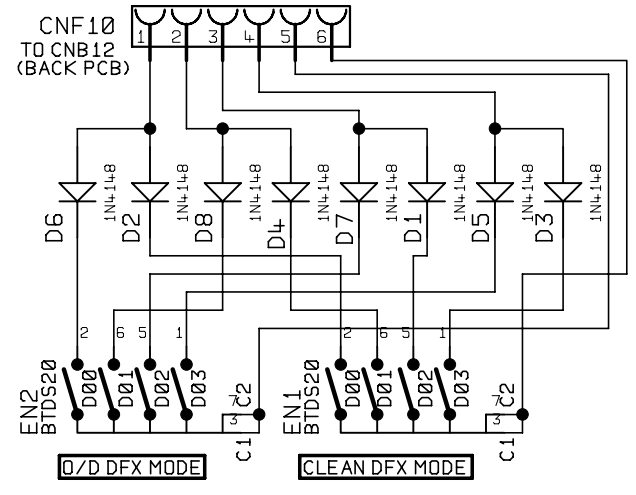
SHEET 4 OF 4
DWG.No. AVT150-60-02

NOTE:- UNLESS OTHERWISE STATED ALL RESISTORS ARE 1/8W

JACKSOCKET PCB



ENCODER PCB



4	2005	28/06/01	A	E	J	N
3		24/10/00	B	F	K	P
2	1920	22/09/00	C	G	L	Q
ISS	ECO NUMBER	DATE	D	H	M	R



TITLE	FRONT PCB CIRCUIT DIAGRAM	
DWG.No	AVT150-60-02	ISS 4