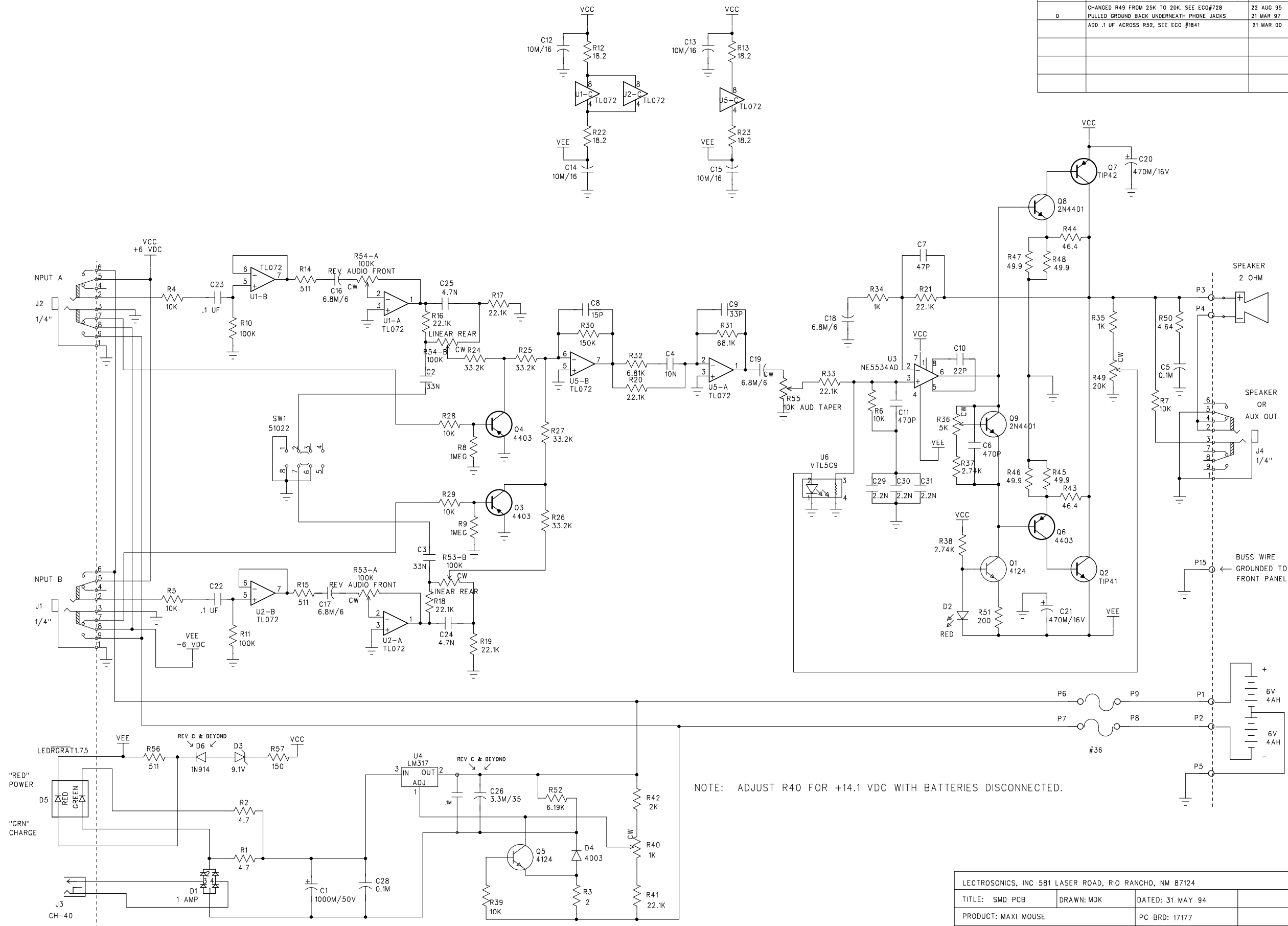


AFFECTS	WHAT CHANGED	DATE
	INITIAL RELEASE	22 JULY 94
	CHANGED R28-29 TO 10K, ECO#815	22 NOV 94
A	CHANGED VIAS TO .020", ADDED GND LUG	26 OCT 94
B	CHANGED POWER LED, ADD 6.19K RES	16 MAR 95
C	CHGED C10 10P TO 22P AND CONNECTED 5 TO 8 ECO#724, ADDED IN914 TO LOW BAT CIRCUIT, CHGED C26 TO 3.3/35	27 JUL 95
D	CHANGED R49 FROM 25K TO 20K, SEE ECO#728	22 AUG 95
	PULLED GROUND BACK UNDERNEATH PHONE JACKS	21 MAR 97
	ADD .1 UF ACROSS R52, SEE ECO #1841	21 MAR 00



LECTROSONICS, INC 581 LASER ROAD, RIO RANCHO, NM 87124			
TITLE: SMD PCB	DRAWN: MDK	DATED: 31 MAY 94	
PRODUCT: MAXI MOUSE		PC BRD: 17177	

