

PRINCETON REVERB AA1164

Fender

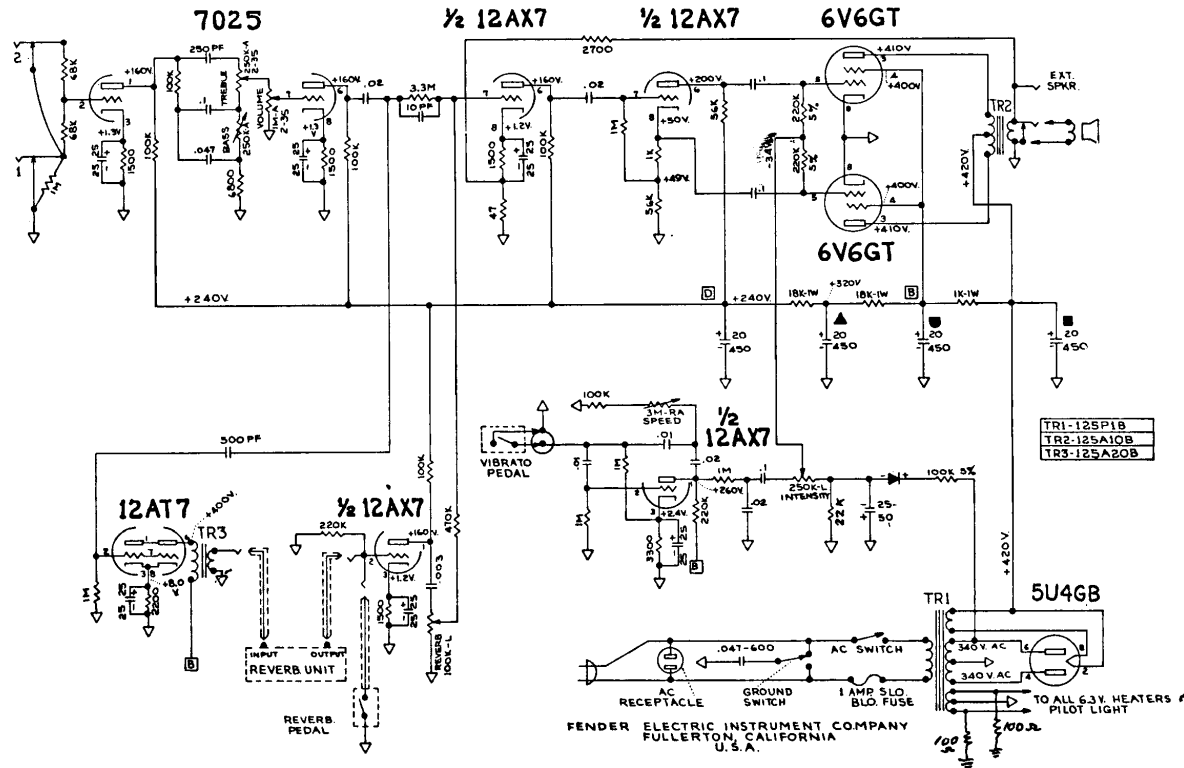
FENDER "PRINCETON REVERB-AMP AA1164" SCHEMATIC NOTICE

THIS PRODUCT MANUFACTURED UNDER ONE OR MORE OF THE FOLLOWING U.S. PATENTS: #2817708, 2973681, 192859 / PATENTS PENDING.

1. VOLTAGES READ TO GROUND WITH ELECTRONIC VOLTMETER. VALUES SHOWN + OR - 20%.
2. ALL RESISTORS 1/2 WATT 10% TOLERANCE IF NOT SPECIFIED.
3. ALL CAPACITORS AT LEAST 400 VOLT RATING IF NOT SPECIFIED.

K-FD

INSTRUMENTS



FENDER MUSICAL INSTRUMENTS
 CBS MUSICAL INSTRUMENTS
 A DIVISION OF COLUMBIA BROADCASTING SYSTEMS INC.
 FULLERTON CALIFORNIA U.S.A.

DWG. TITLE			
SCHEMATIC & WIRING DIAGRAM			
AA1164			
PRINCETON REVERB AMP			
REL. NO.	SIZE	DWG. NO.	REV.
571	D	045427	A
SCALE	MODEL PRICE & REF. TEST.		SHEET 1 OF 2
	100 - 2148 - 1116		