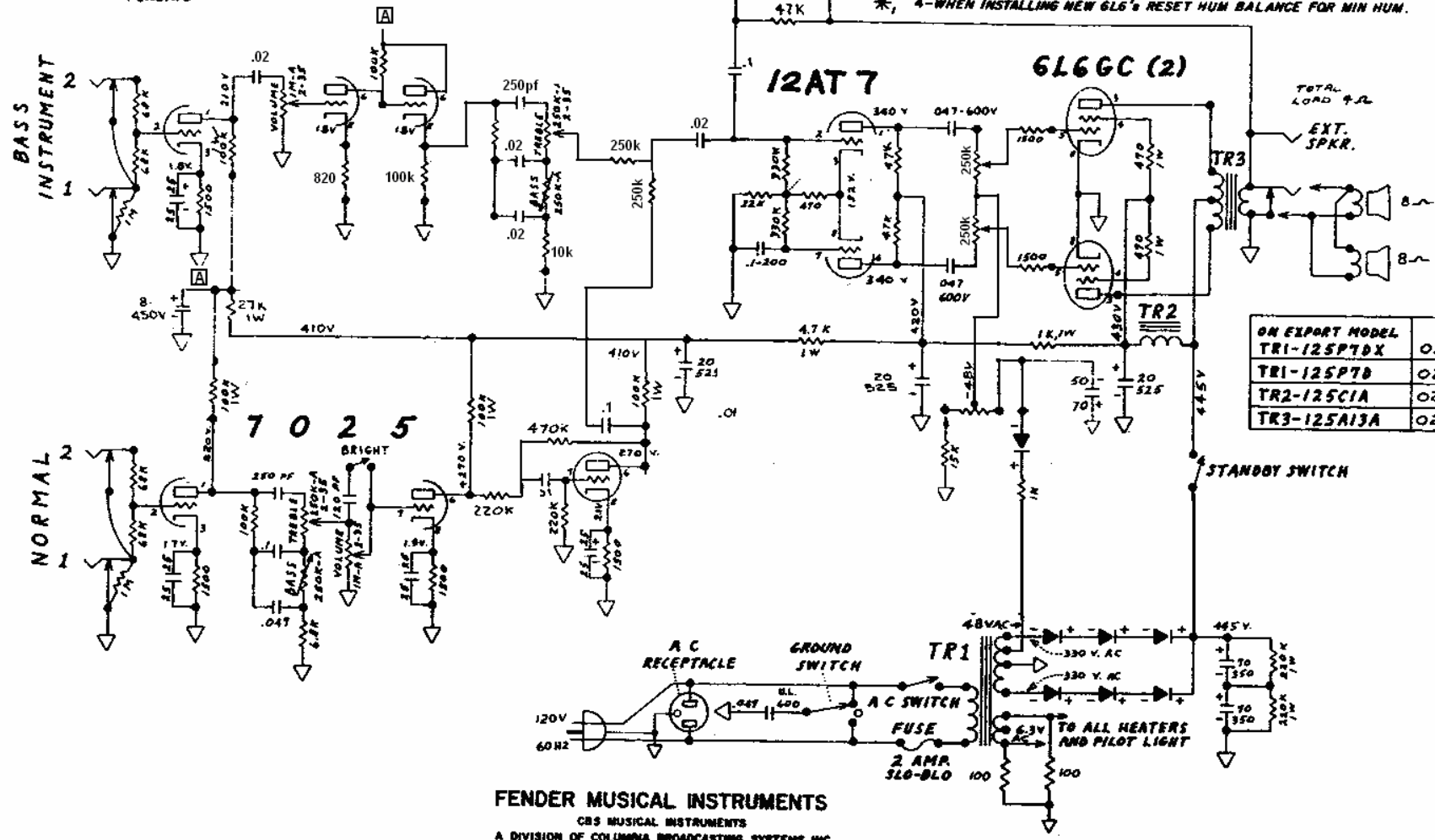


# FENDER / HASSE MODEL "BASSMAN-AMP" <sup>1/8</sup> NOTICE

THIS PRODUCT MANUFACTURED UNDER ONE OR MORE OF THE FOLLOWING U.S. PATENTS: 2,811,908, 2,993,601, 1,928,599 AND PATENTS PENDING

- 1- VOLTAGES READ TO GROUND WITH ELECTRONIC VOLTMETER. VALUES SHOWN + OR - 2.0 %.
- 2- ALL RESISTORS 1/2 WATT, 10% TOLERANCE IF NOT SPECIFIED.
- 3- ALL CAPACITORS AT LEAST 500 VOLT RATING IF NOT SPECIFIED.
- 4- WHEN INSTALLING NEW 6L6's RESET HUM BALANCE FOR MIN HUM.



OR EXPORT MODEL	
TR1-125PT0X	022822
TR1-125PT0	022814
TR2-125C1A	022699
TR3-125A13A	022871

**FENDER MUSICAL INSTRUMENTS**  
 CBS MUSICAL INSTRUMENTS  
 A DIVISION OF COLUMBIA BROADCASTING SYSTEMS INC.  
 FULLERTON, CALIFORNIA  
 U.S.A.

Modifications by Richard Hassebrock Sept, 2008