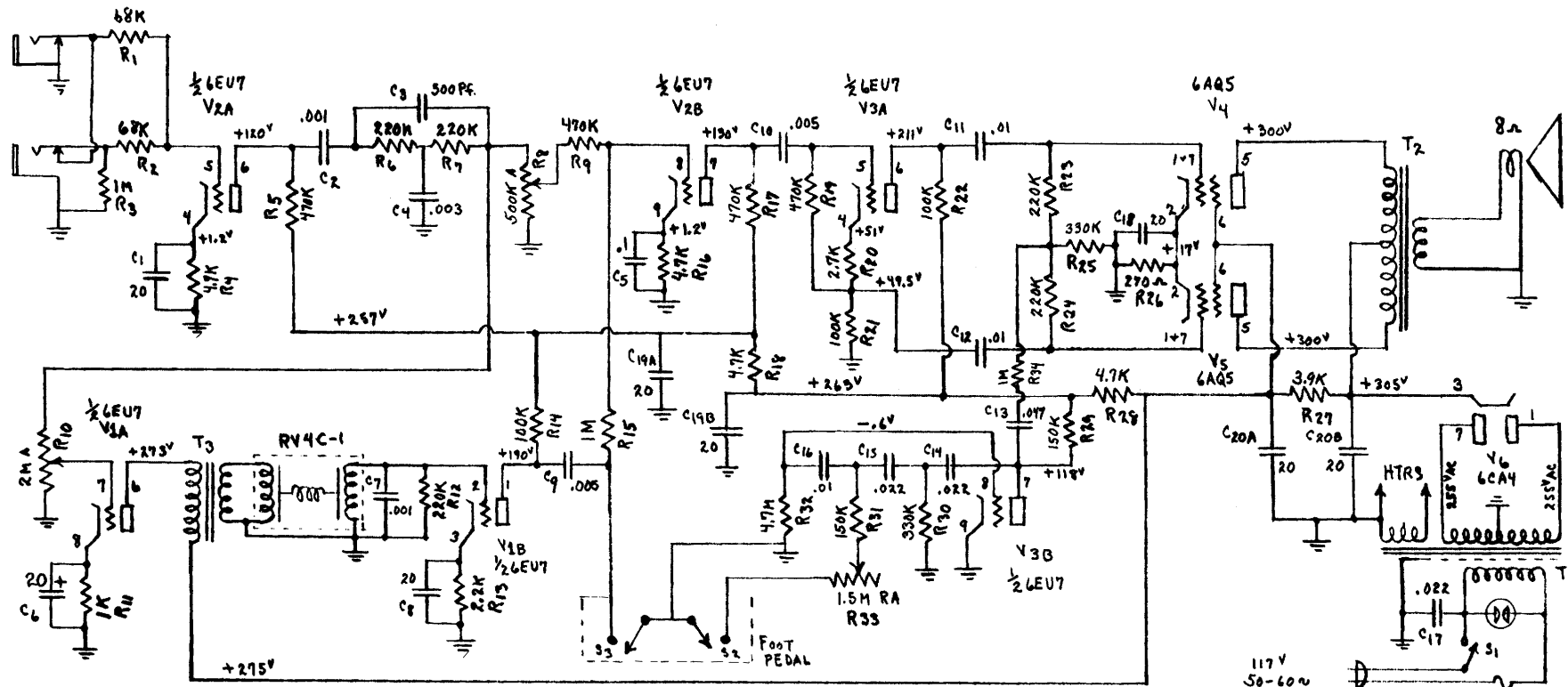


GA17RVT
SCOUT



- T1 POWER TRANSFORMER TF 8A-P
- T2 OUTPUT " TF 1R-01
- T3 DRIVER " TF E6400
- SPEAKER 8" x 8", 10" S20003
- R8 VOLUME CONTROL 500K AUDIO TAPER
- R10 REVERB VOLUME 2MEG "
- R33 TREMOLO FREQUENCY 1.5M REV. AUDIO
- S2, S3 SPST PUSH PUSH SW.
- REVERBERATION UNIT RV4C-1

VOLTAGES TO CHASSIS WITH VTVM (1M meg)

