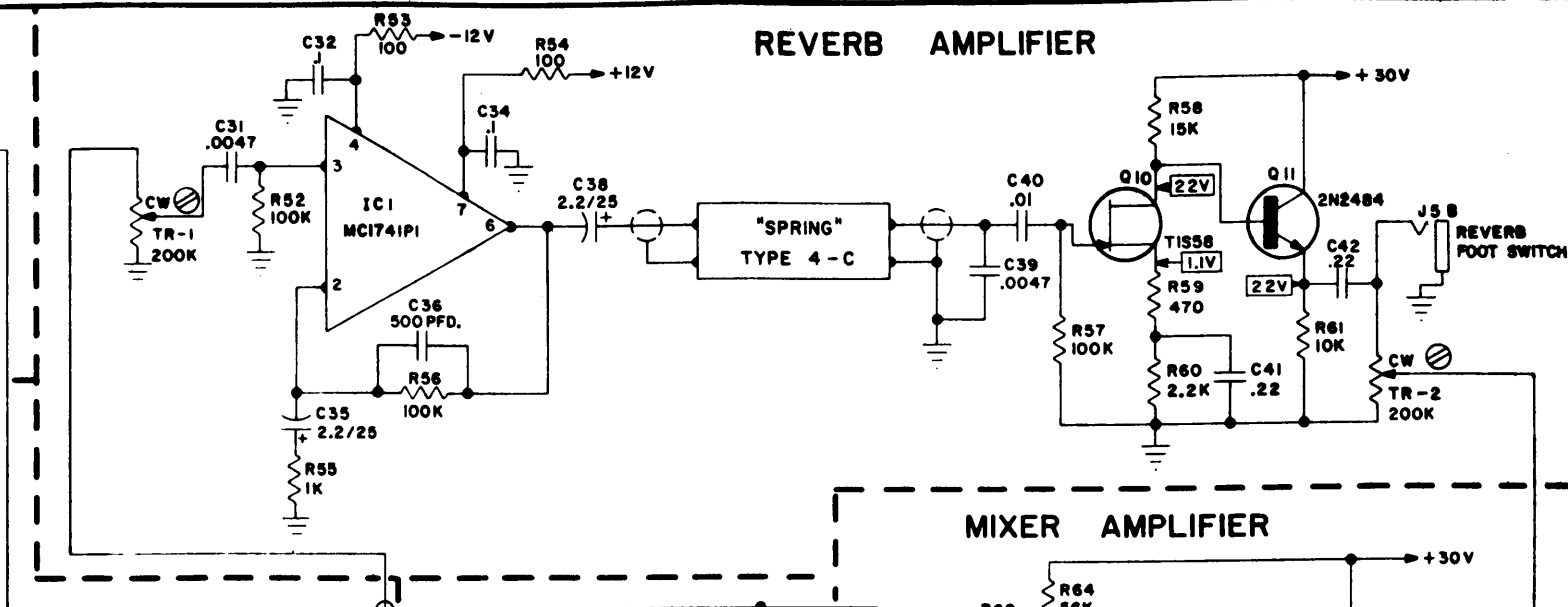
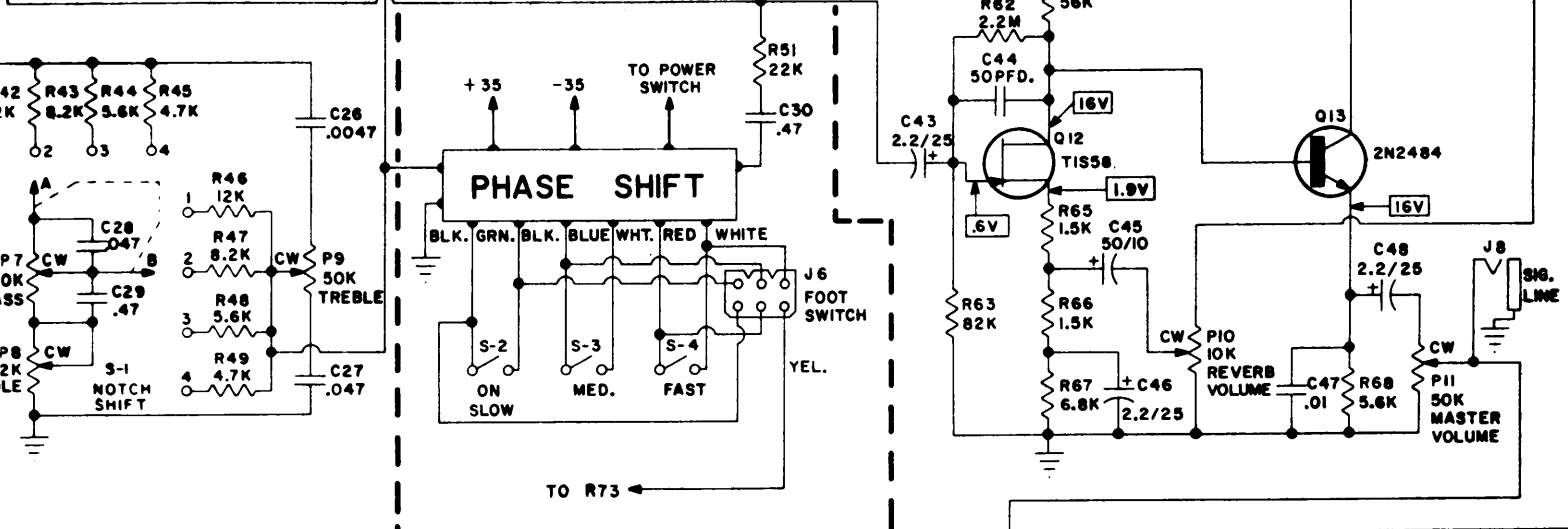


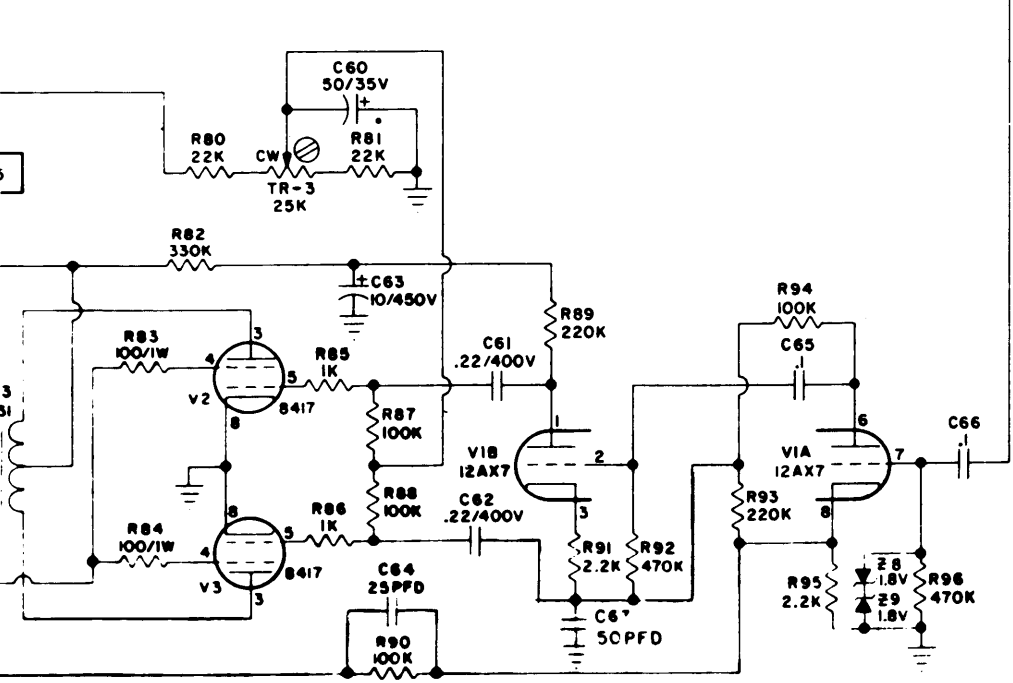
# REVERB AMPLIFIER



# MIXER AMPLIFIER

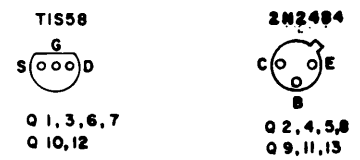


# POWER SECTION

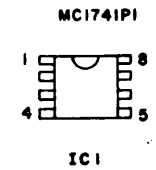


NOTE:  
THIS SCHEMATIC APPLIES TO THIS  
SERIAL NUMBER AND HIGHER.

### BOTTOM VIEWS



### TOP VIEWS



C.M.I. ELECTRONICS  
EL MONTE, CALIF.

SCHEMATIC DIAGRAM  
SG-100  
AMPLIFIER

DRAFTSMAN J.S.G.	PART NO. 17-395	REV. B	DATE 10-24-73	SERIAL NO. 29578
---------------------	--------------------	-----------	------------------	---------------------