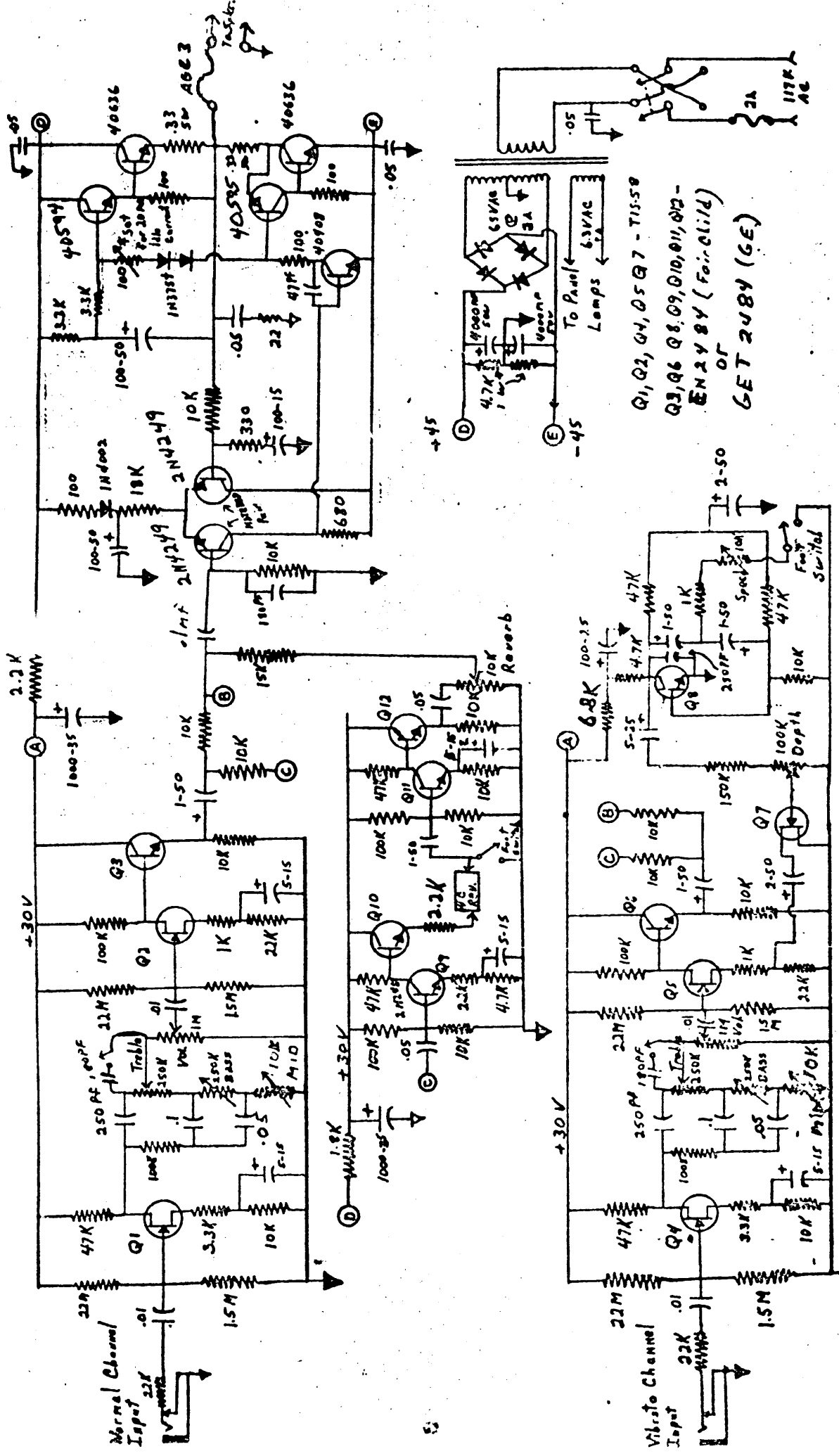


Sk0-Bu

Dual Channel AMP



All Resistors to W6th 10% unless
Otherwise Noted.