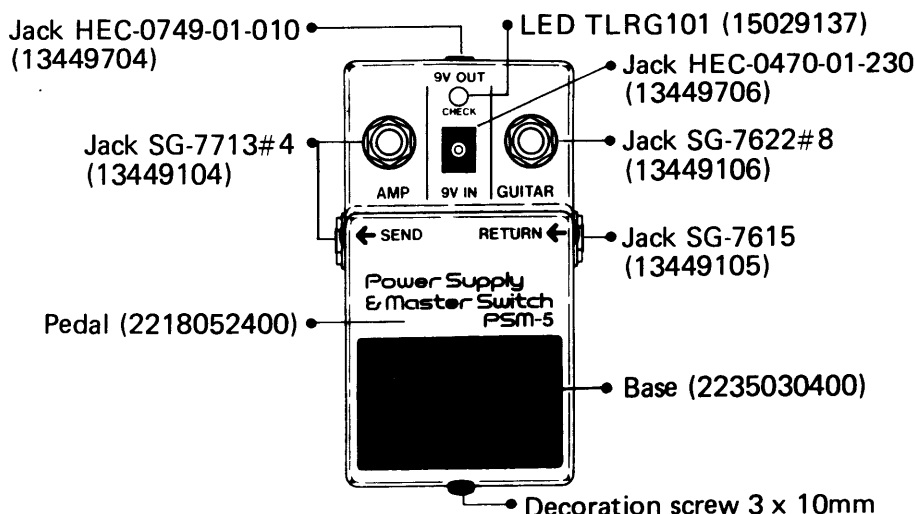
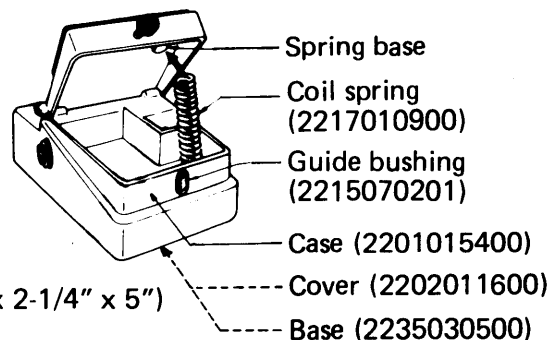


# BOSS PSM-5 SERVICE NOTES

*First Edition*

## SPECIFICATIONS

Power ..... 9V DC 200mA  
 Current Draw ..... Master Switch section:  
                             9V DC 13mA  
 Input Impedance ..... GUITAR: 1MΩ  
                             RETURN: 1MΩ  
 Output Load Impedance . AMP: over 10kΩ  
                             SEND: over 10kΩ  
 Gain ..... Unity  
 Frequency Response .... 10Hz - 100kHz (-3dB)  
 Dimensions ..... 70(W) x 55(H) x 125(D)mm (2-3/4" x 2-1/4" x 5")  
 Weight ..... 340g (12 oz)



### PARTS LIST

2201015400	Case	red	
2218052400	Pedal	red	
2202011600	Cover	bottom	(065-130)
2235030400	Base	pedal matt	(111-031)
2235030500	Base	bottom	(111-032)
2215070201	Guide bushing		(068-026)
2226030500	Cushion		(107-053)
2216050200	Spacer	pcb-rear cover	(065-153)
2217010900	Coil spring		(070-059)

### JACK

13449704	HEC-0749-01-010	AC adaptor	
13449706	HEC-0470-01-230		
13449104	SG-7713#4		(009-036)
13449106	SG-7622#8		(009-012)
13449105	SG-7615		(009-001)

### SWITCH

13129710	JM-0404	(001-295)
----------	---------	-----------

### PCB

7540251002	Assy ET5402-510(pcb 2291053601)
------------	---------------------------------

### SEMICONDUCTOR

15189102	NJM4558DD	IC	(020-071)
15139101	2SK30ATM-Y	FET	(017-014)
152191290R	2SC1687-R	Tr	
15119105	2SA733	Tr	(017-024)
15019523	RD5.1EB-3	Zener	(018-075)
15019103	1S2473	LED	(018-014)
15019209T0	S5500G	diode	
15029137	TLRG101	LED	

The following are not spare parts but available on the commercial basis.

2343075100 Parallel DC cord

### AC ADAPTOR

12449509	PSA-100
12449510	PSA-120
12449511	PSA-220
12449512	PSA-240