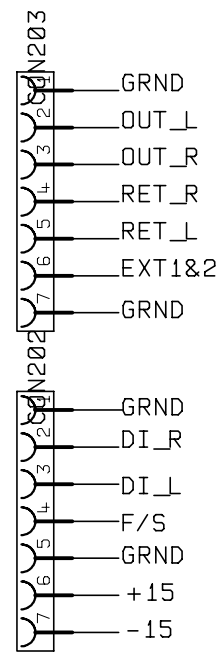
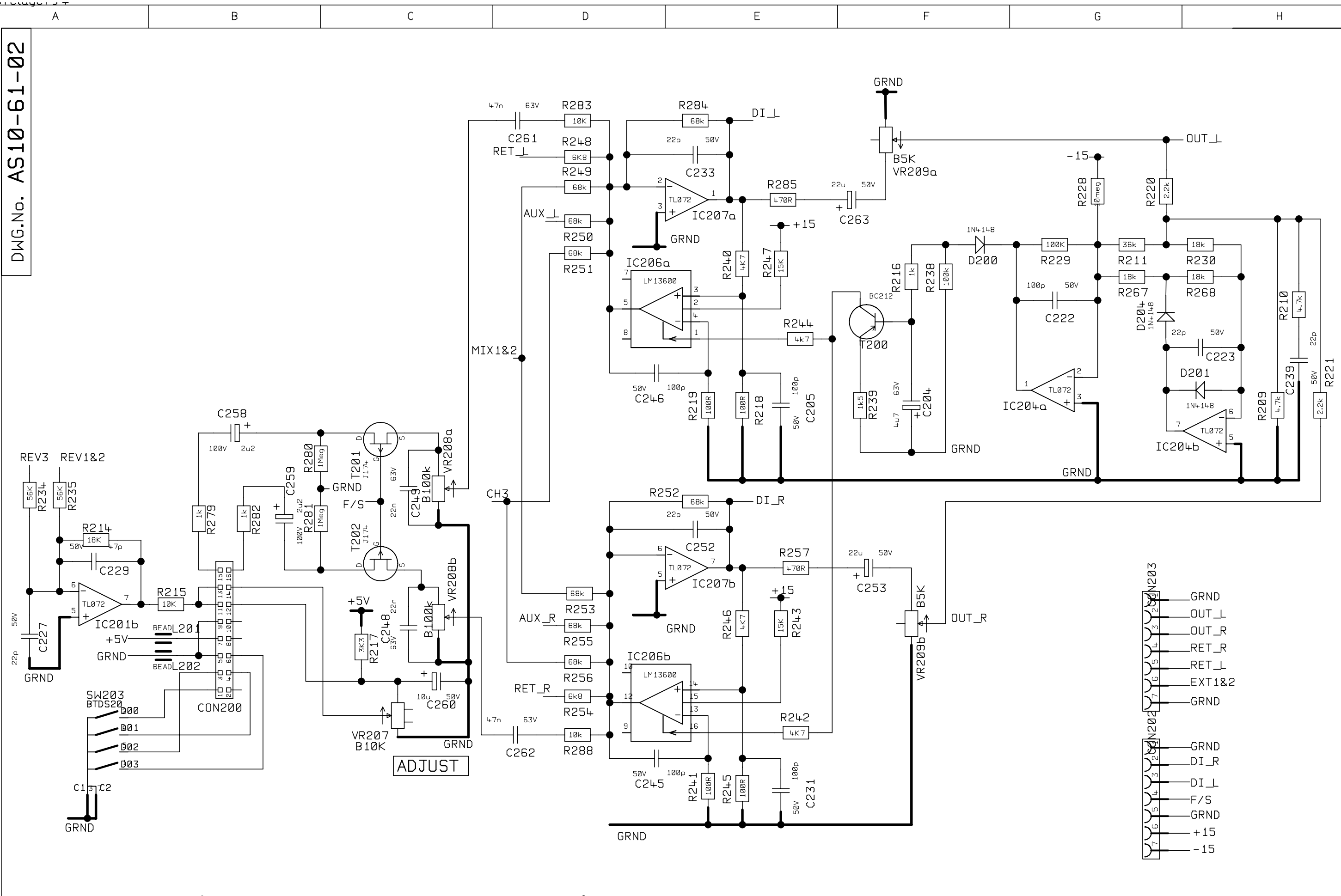


2		CAP C206 ADDED		2-12-99		DATE		ISS		ECO NUMBER	
A		B		C		D		E		F	
G		H		J		K		L		M	
N		P		Q		R		MATERIAL		DIMENSIONS IN	
X = (THROUGH PLATED)		MATERIAL THICKNESS		DRAWN A.G.		DATE 22-4-99		TOLERANCE (UNLESS OTHERWISE STATED)		MODEL AS100D	
CHECKED		DATE		APPROVED		DATE		MARSHALL		TITLE PREAMP	
REG200		7805		COM		3+5V		DENBIGH ROAD, BLETCHLEY, MILTON KEYNES, MK1 1DG.		SHT 1 OF 2	
C244		25V		C257		25V		TEL (01908) 375411 FAX (01908) 376118		DWG.No AS10-61-02	
ISS		DATE		DATE		DATE		ISS		2	

DWG.No. AS10-61-02



2		CAP C206 ADDED		2-12-99		ISS		ECO NUMBER		DATE	
A	B	C	D	E	F	G	H	J	K	L	M
ALL OTHER HOLES =				X = (THROUGH PLATED)				MATERIAL		DIMENSIONS IN	
								MATERIAL THICKNESS		TOLERANCE (UNLESS OTHERWISE STATED)	
								DRAWN L.V.		DATE 24/7/98	
								CHECKED		DATE	
								APPROVED		DATE	
						AS100D					
						MARSHALL AMPLIFICATION PLC			TITLE PREAMP SHT 2 OF 2 DWG.No AS10-61-02 ISS 2		