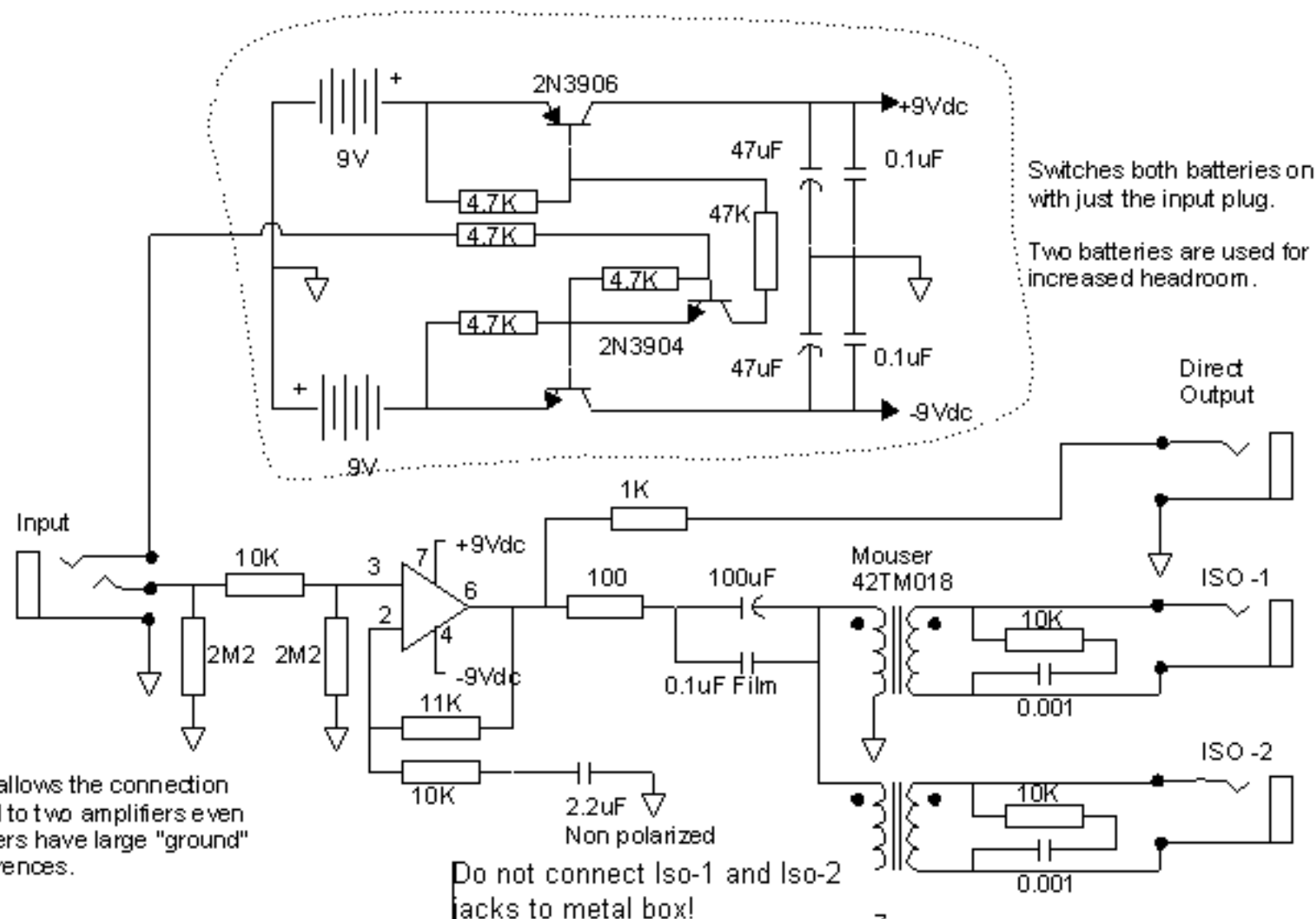


Transformer Coupled Splitter



This splitter allows the connection of one signal to two amplifiers even if the amplifiers have large "ground" voltage differences.