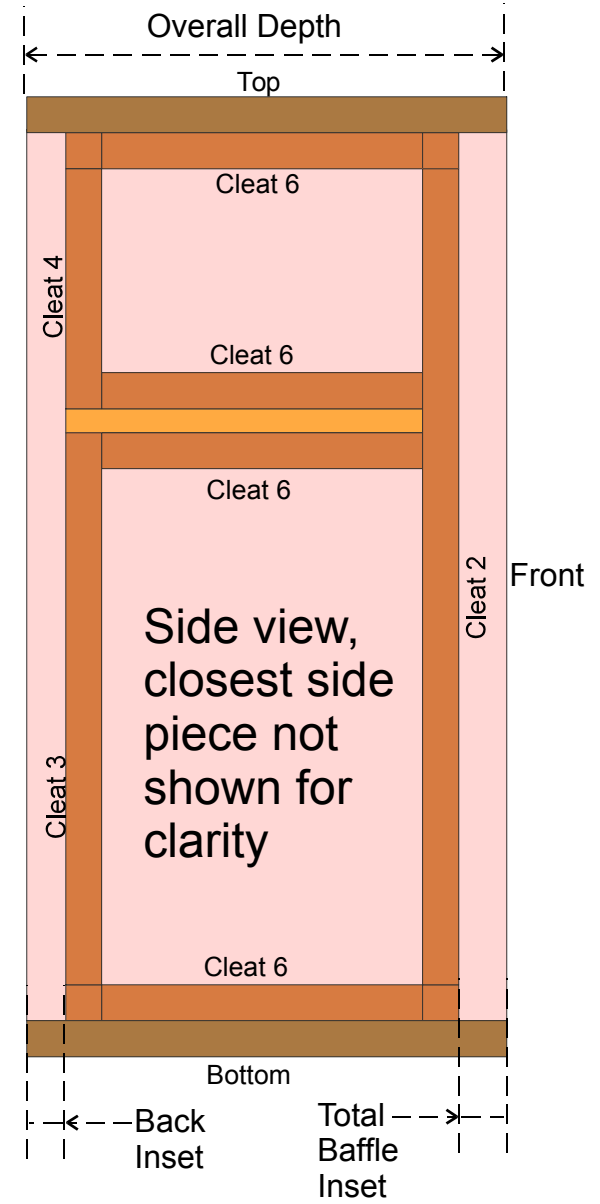
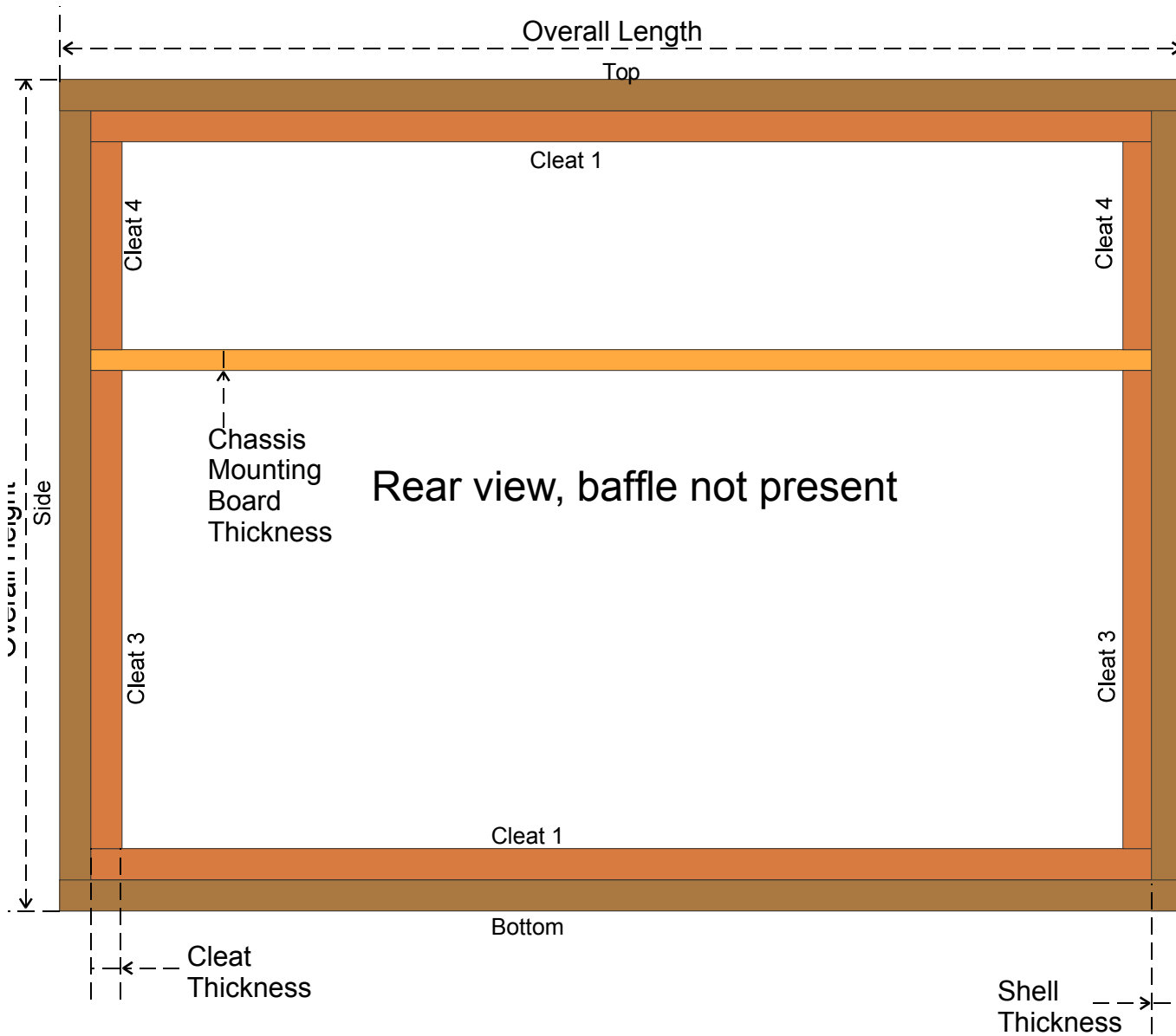
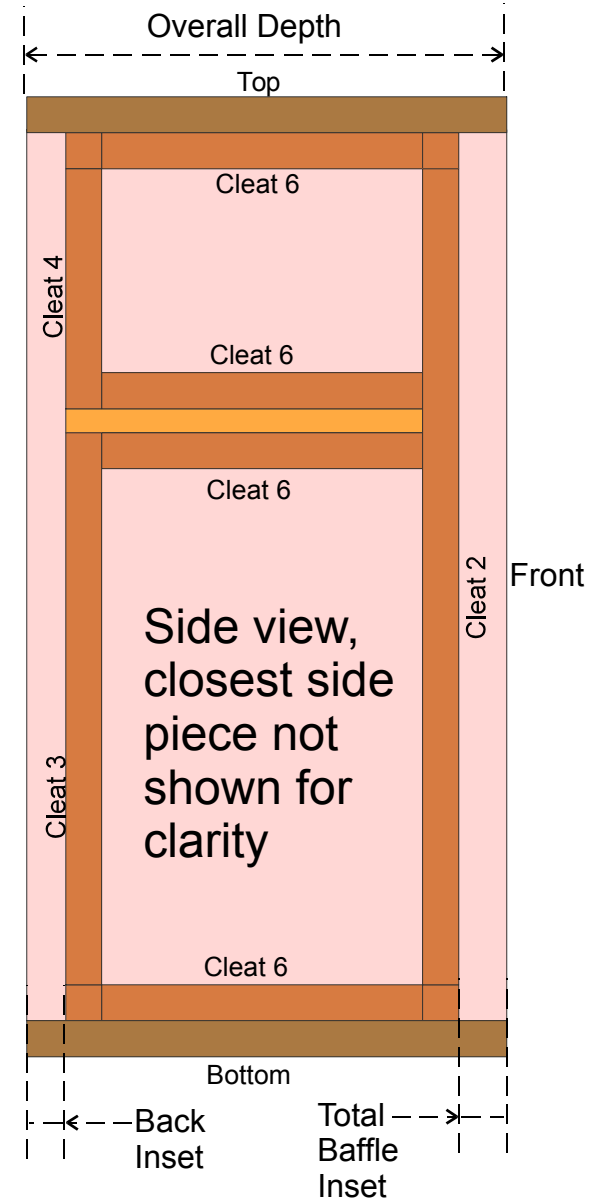
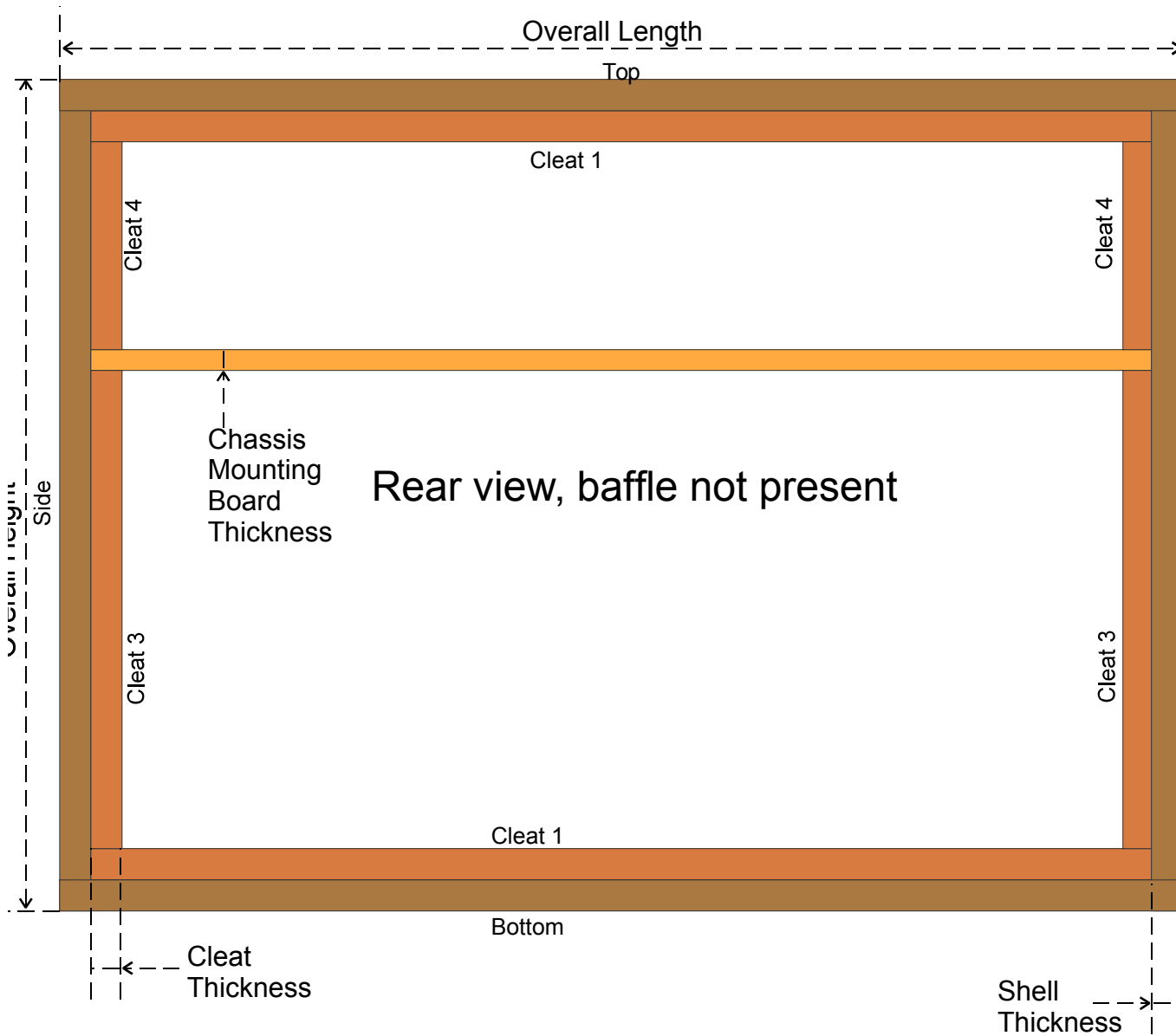


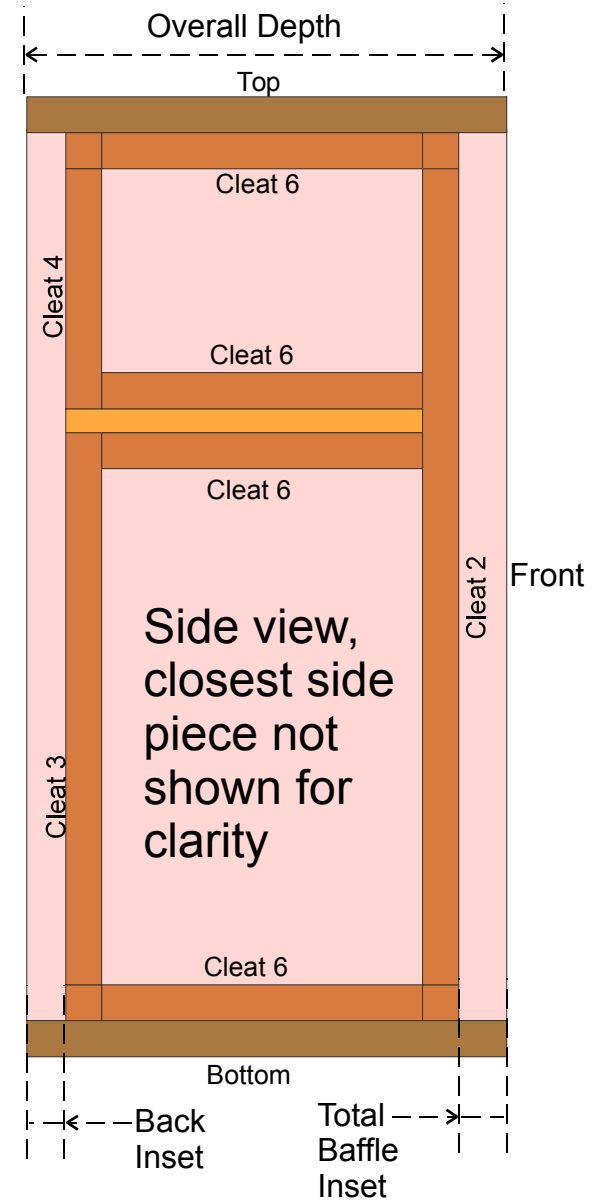
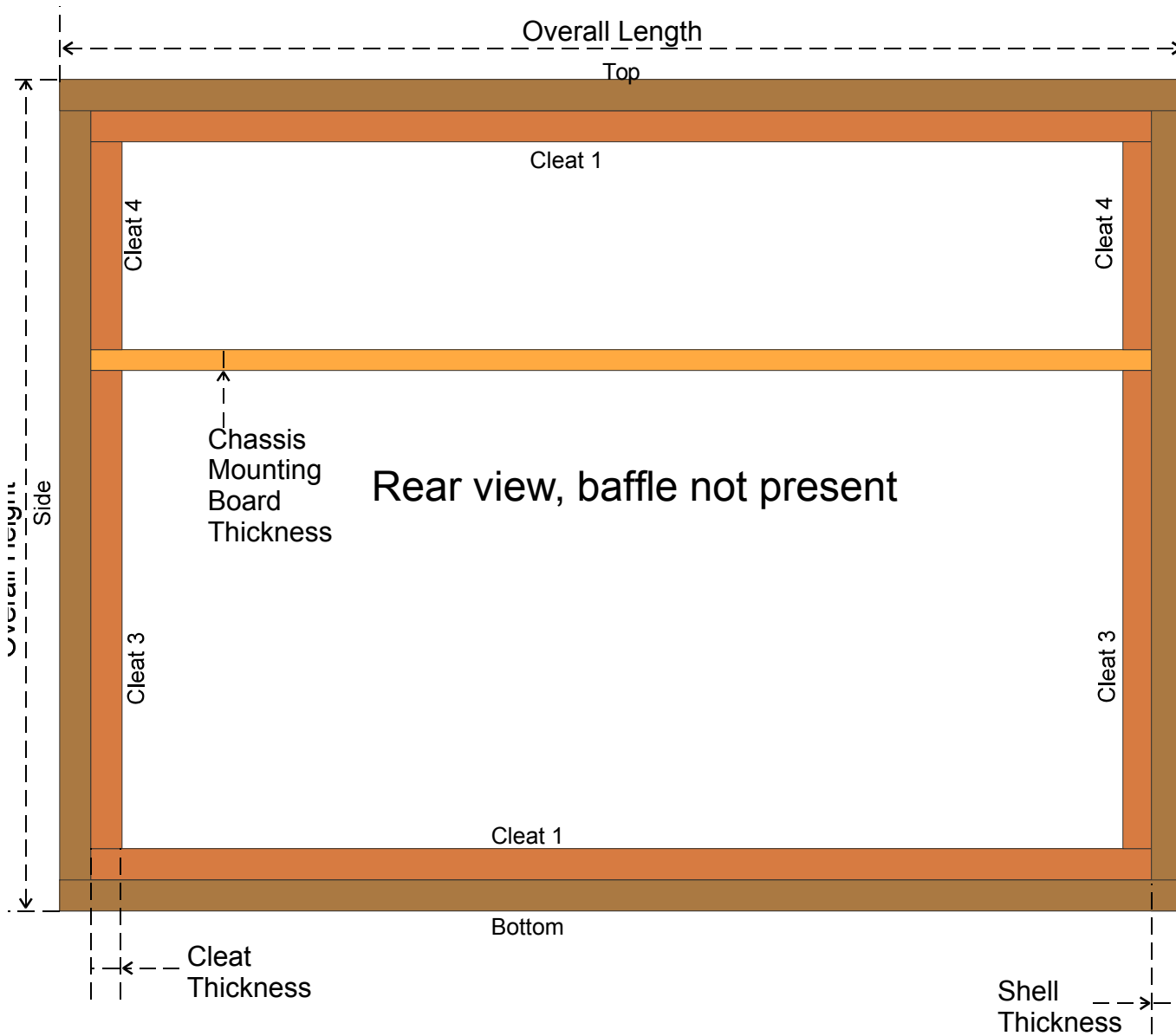
AC-30 Repro Cabinet



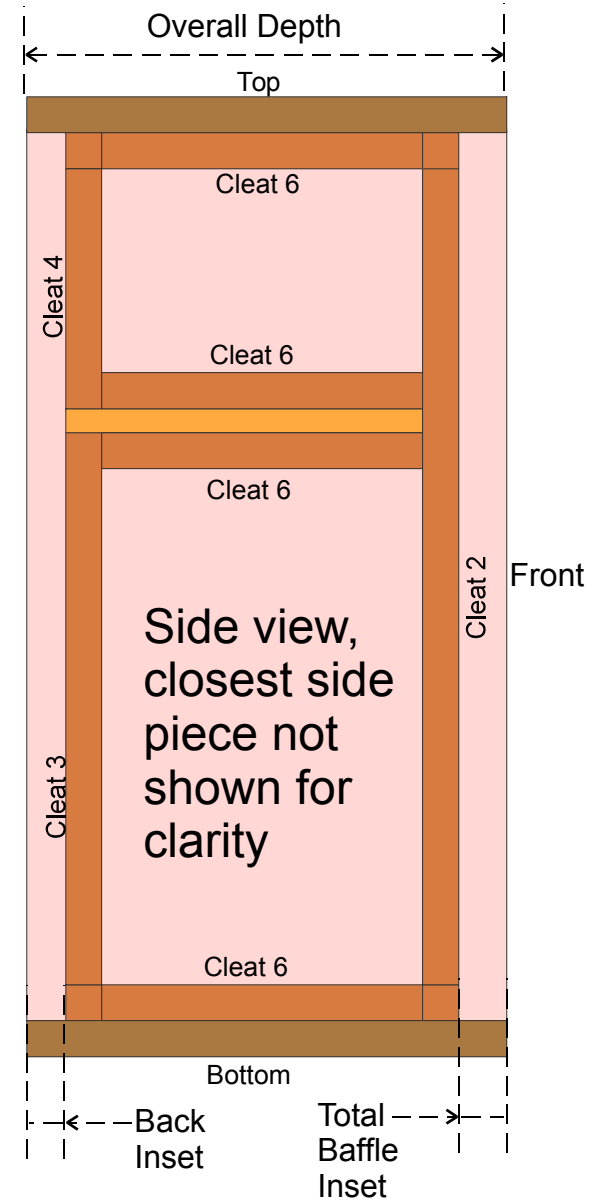
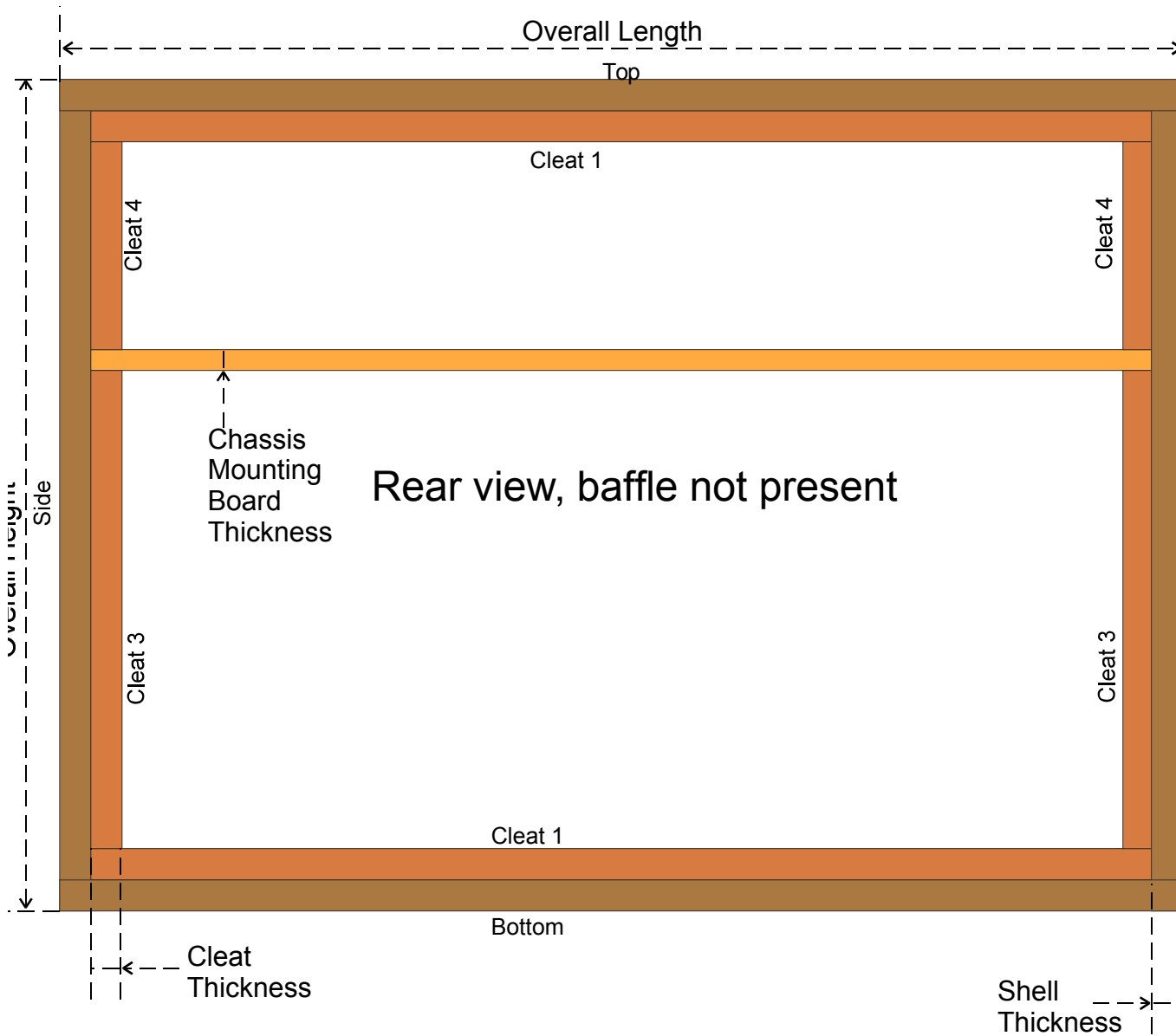
AC-30 Repro Cabinet



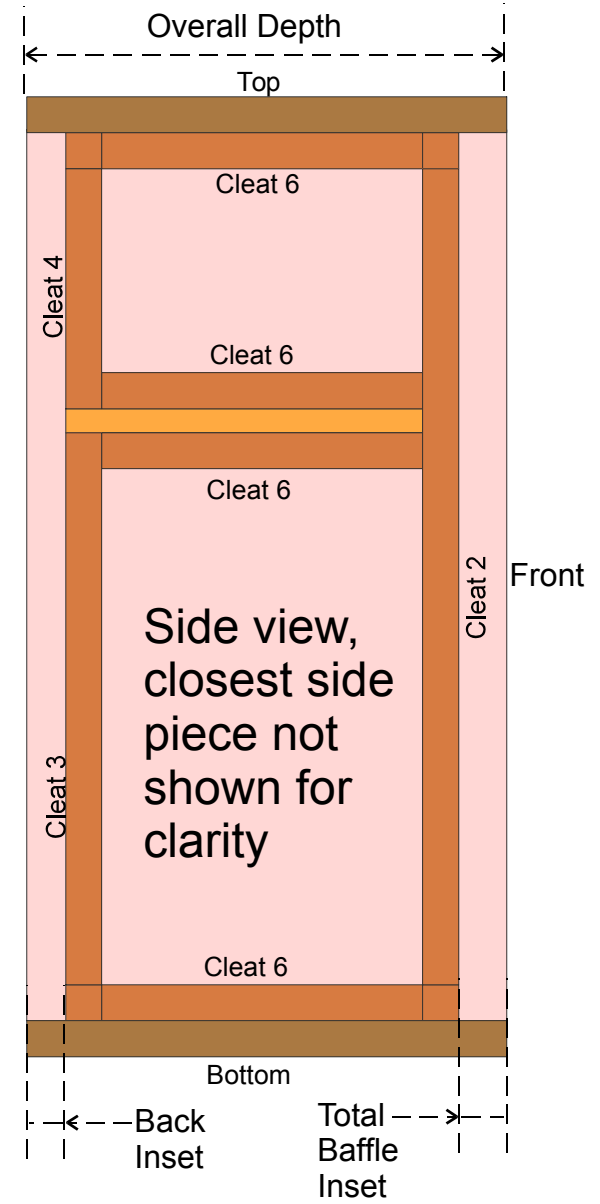
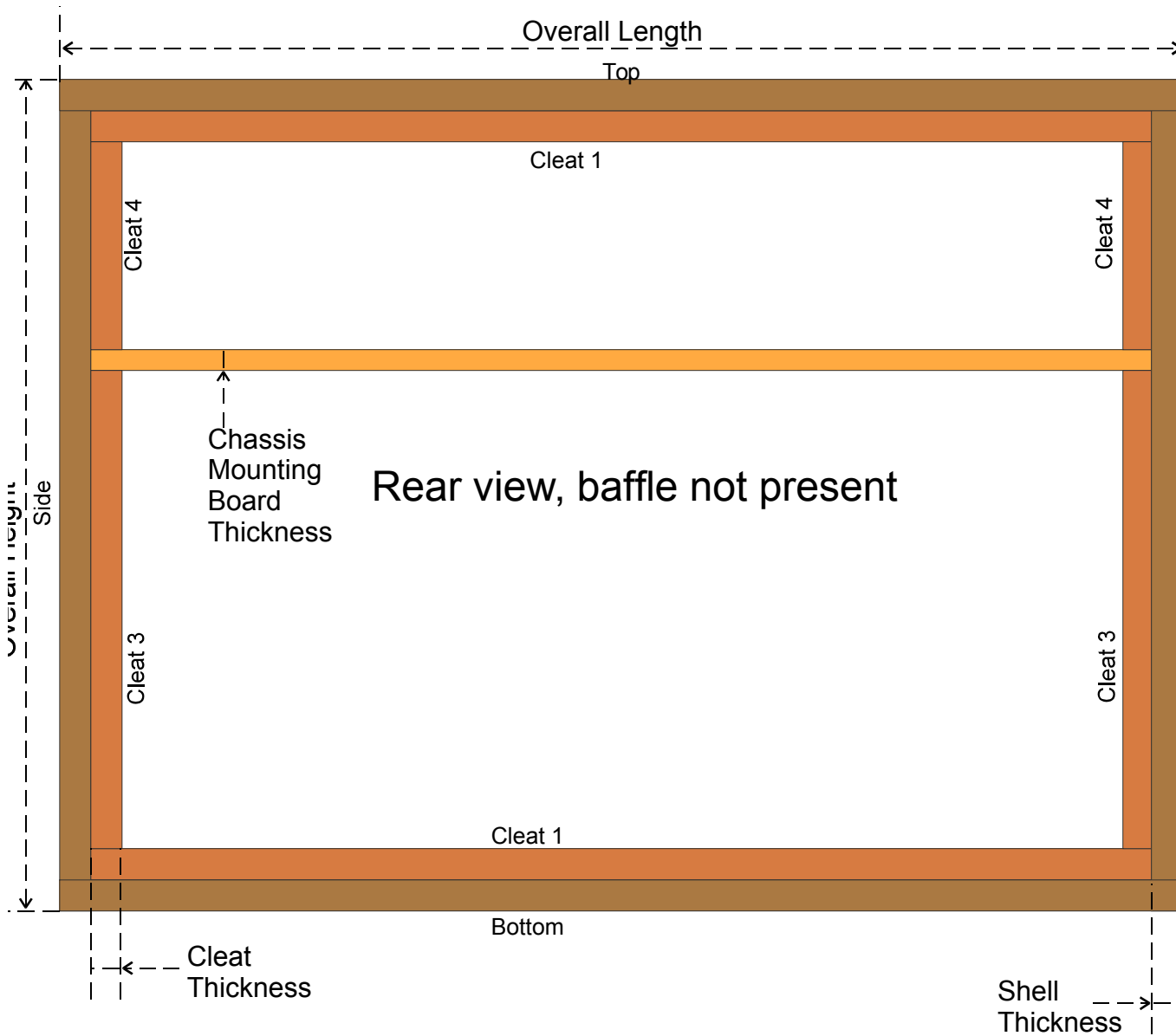
AC-30 Repro Cabinet



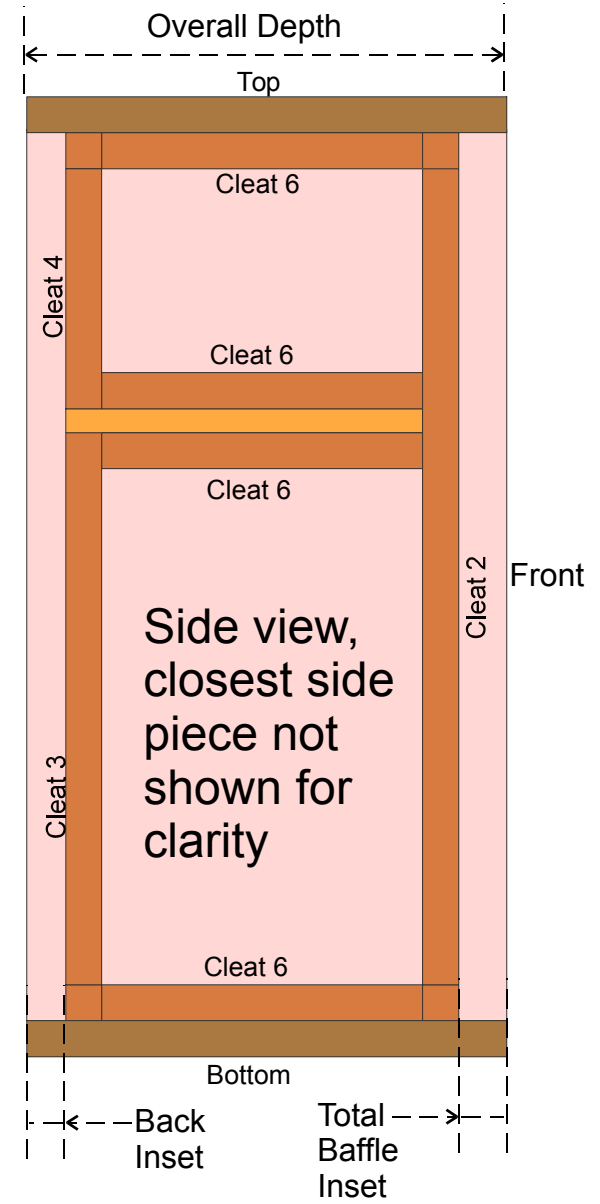
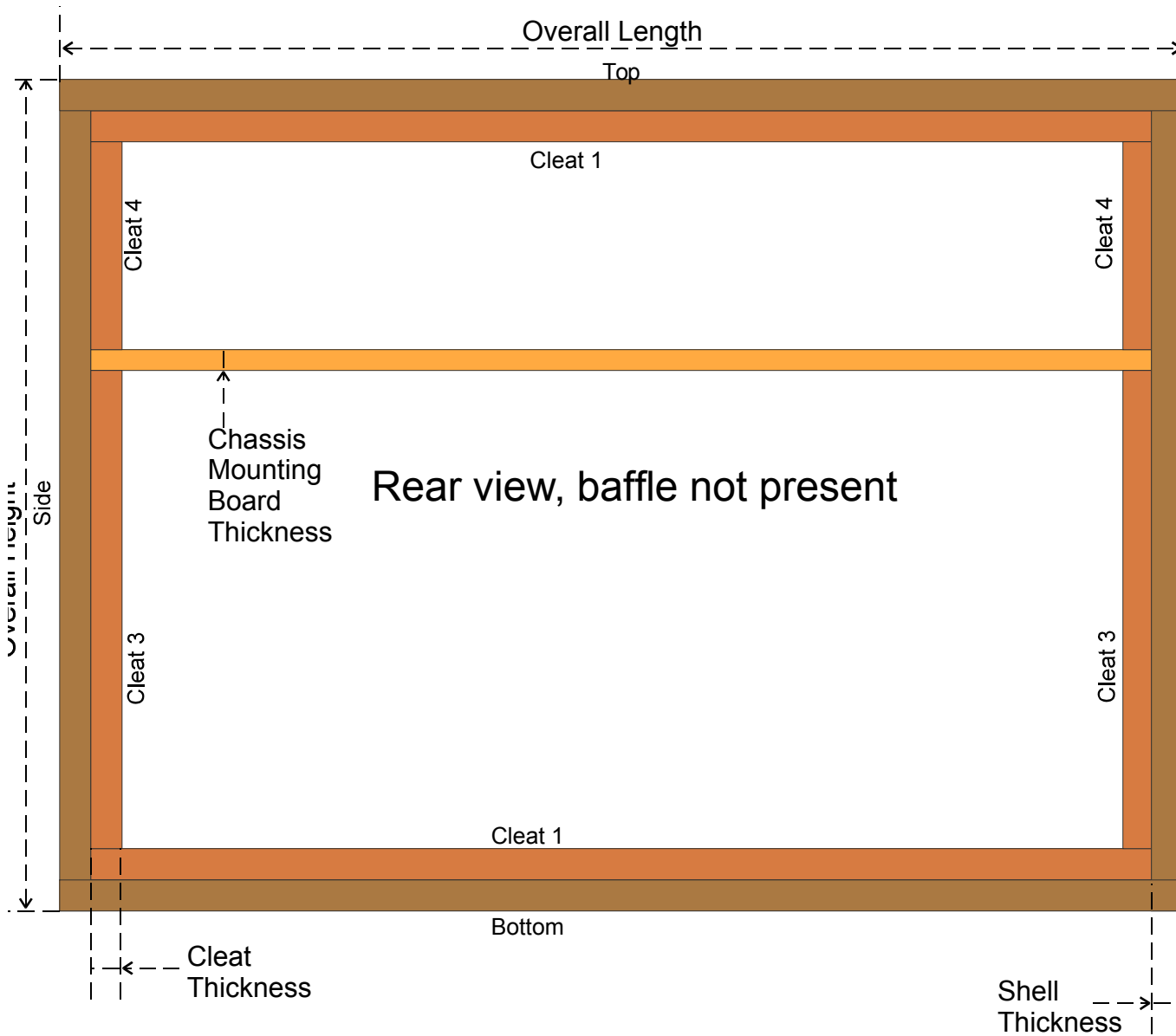
AC-30 Repro Cabinet



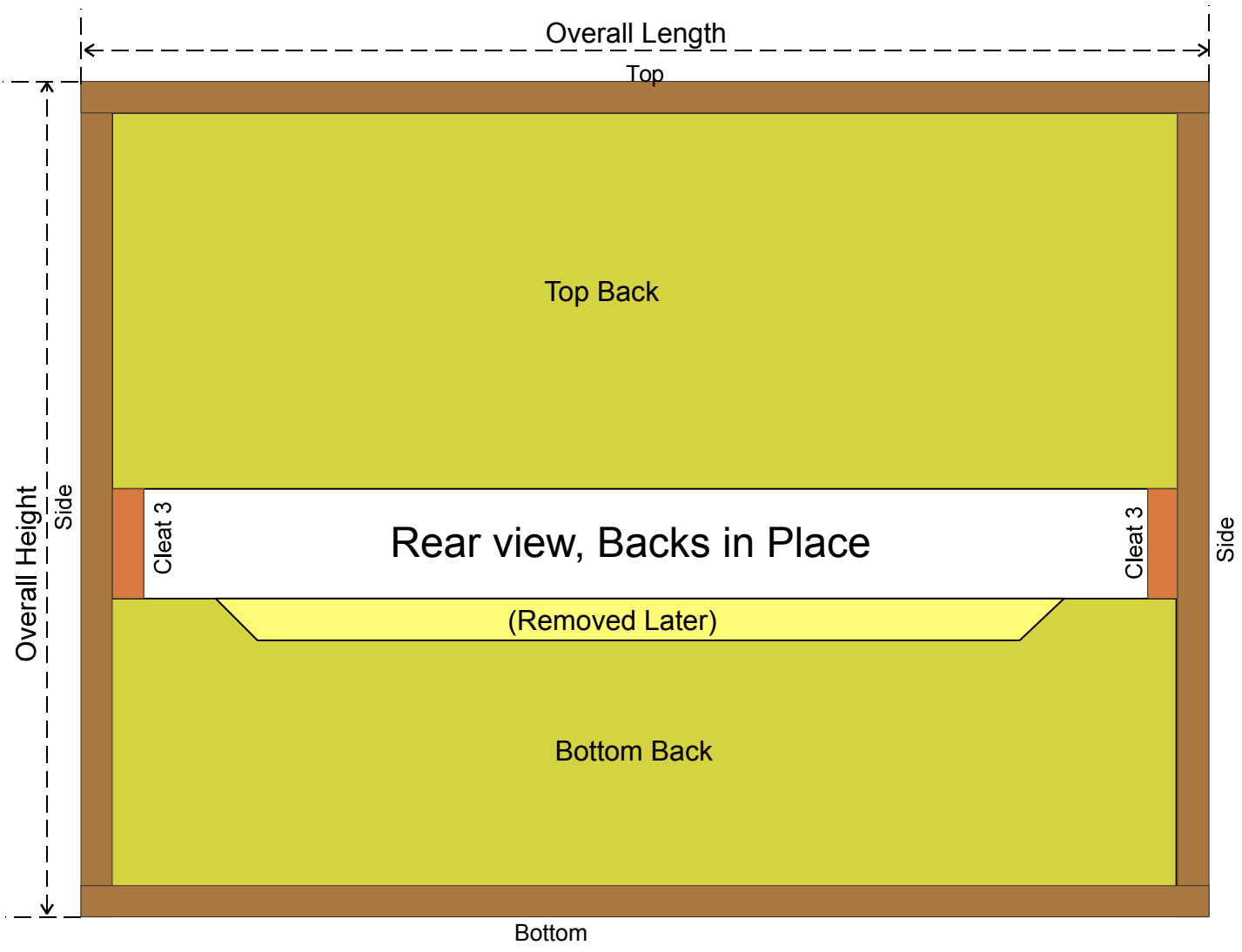
AC-30 Repro Cabinet



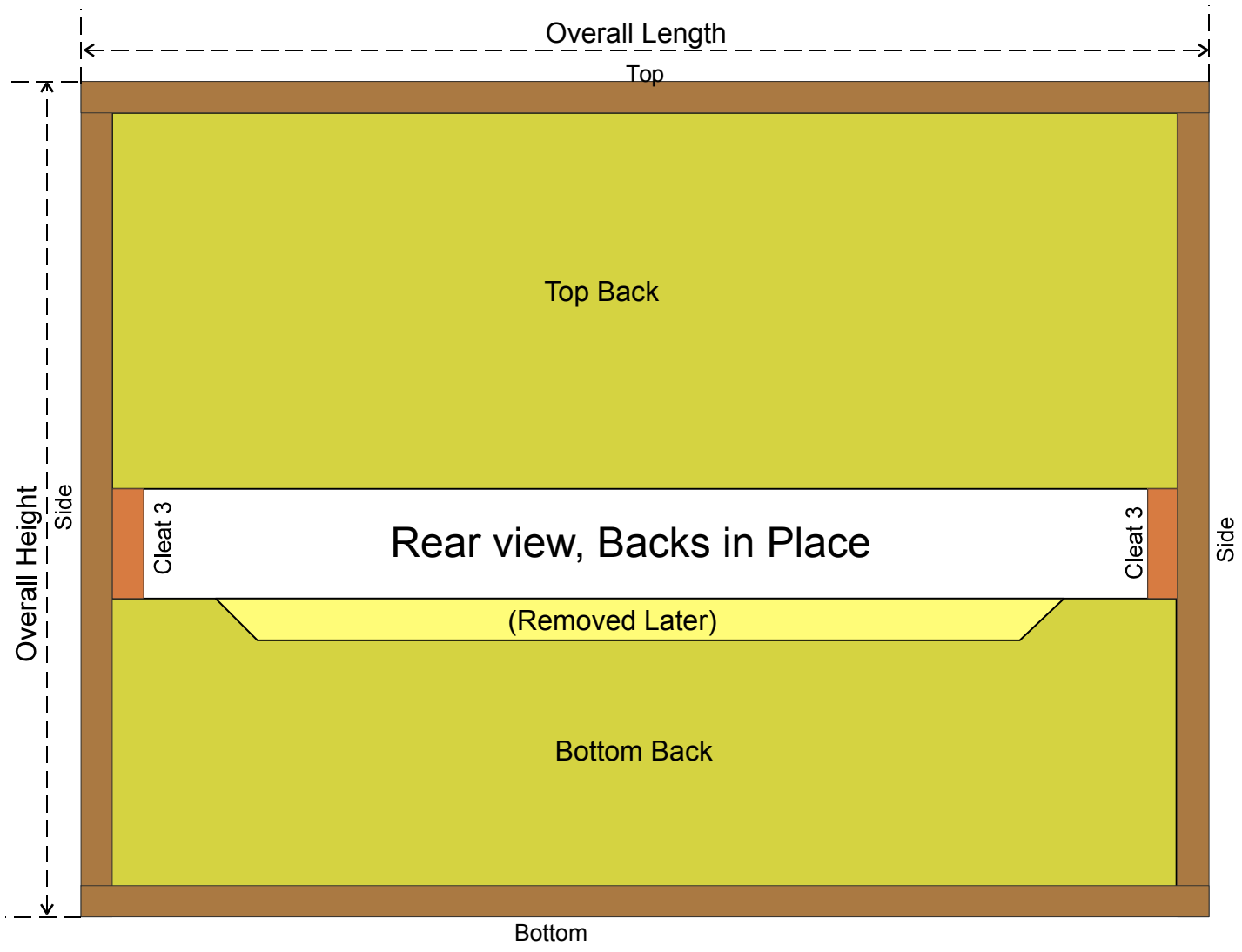
AC-30 Repro Cabinet



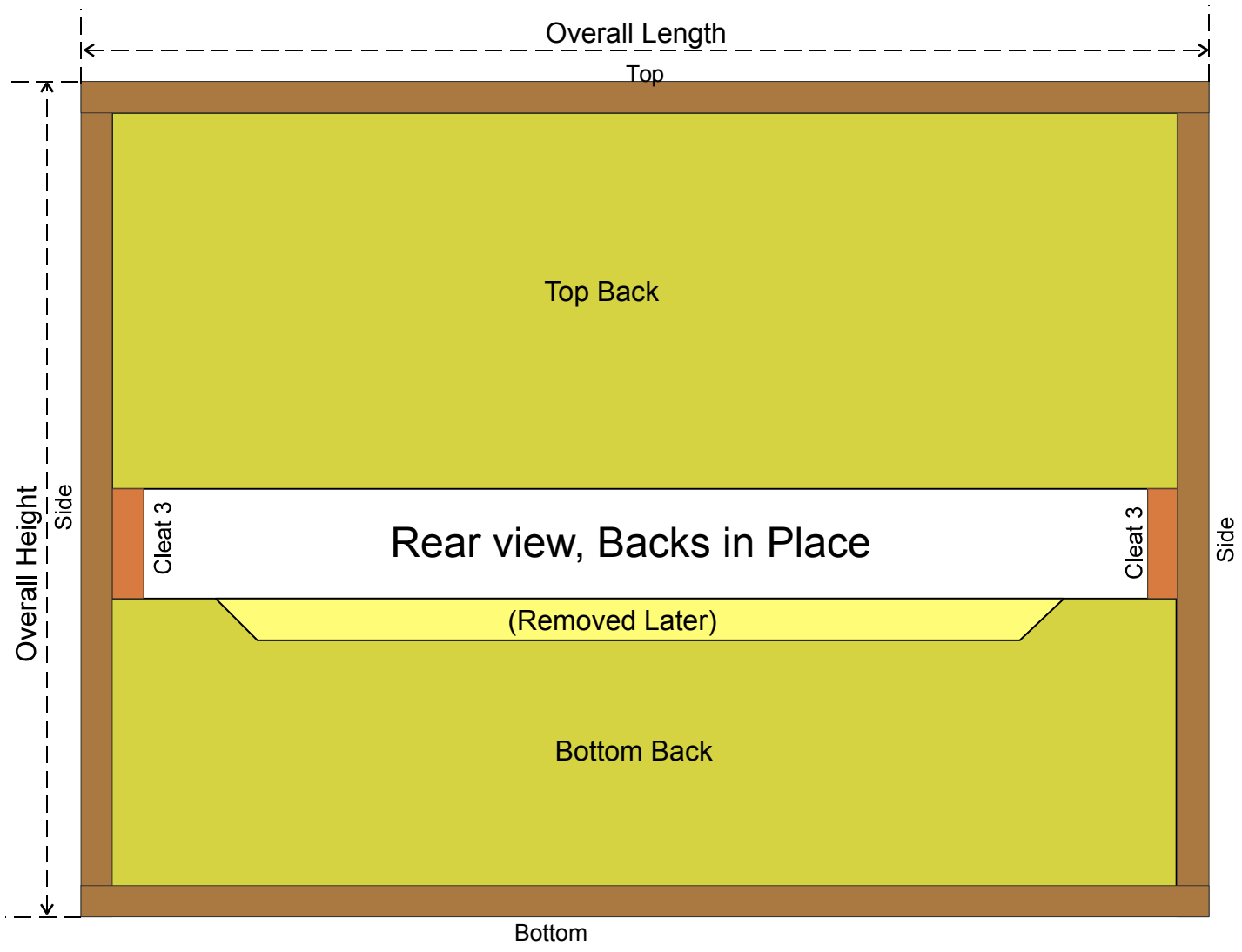
AC-30 - Top Back and Bottom Back



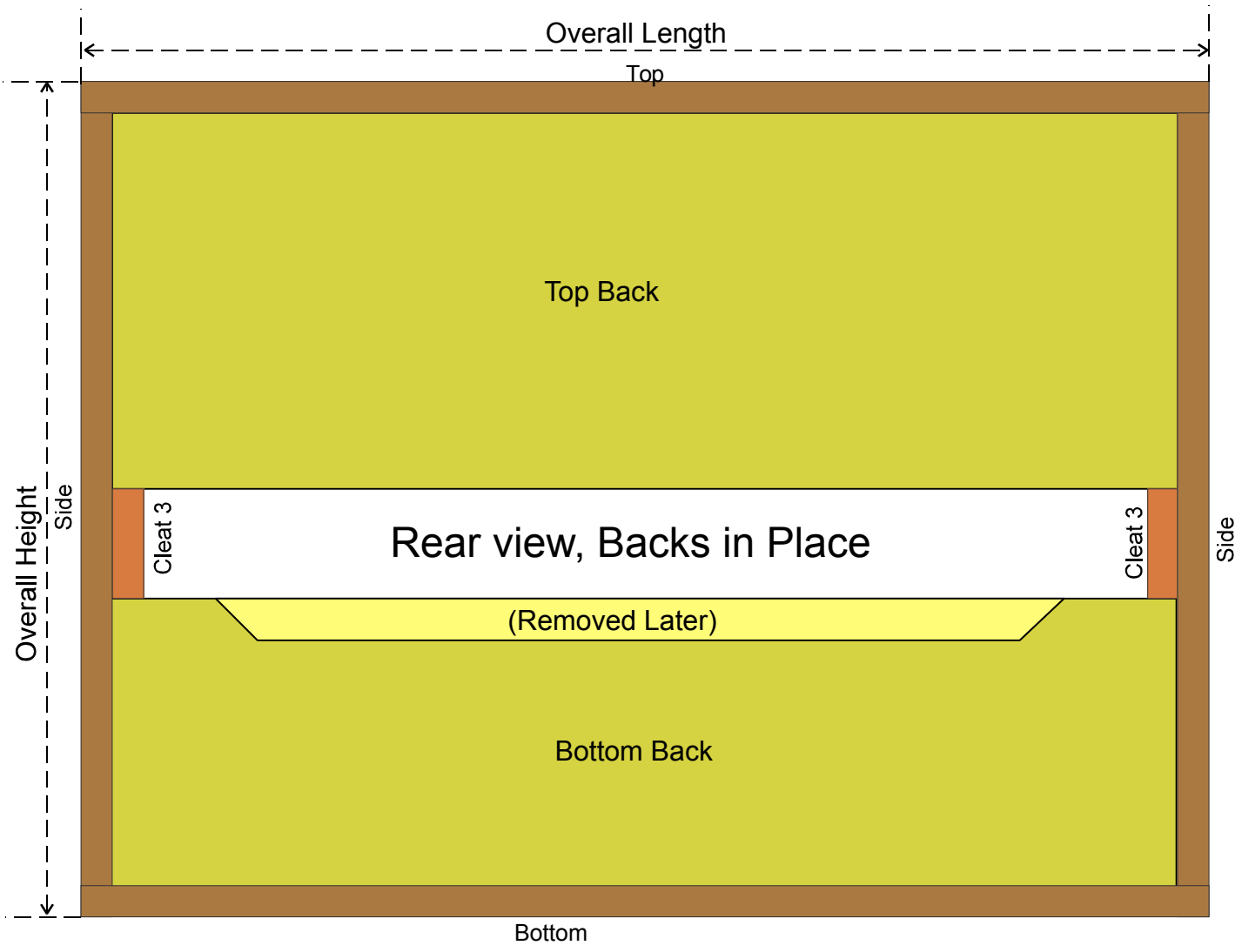
AC-30 - Top Back and Bottom Back



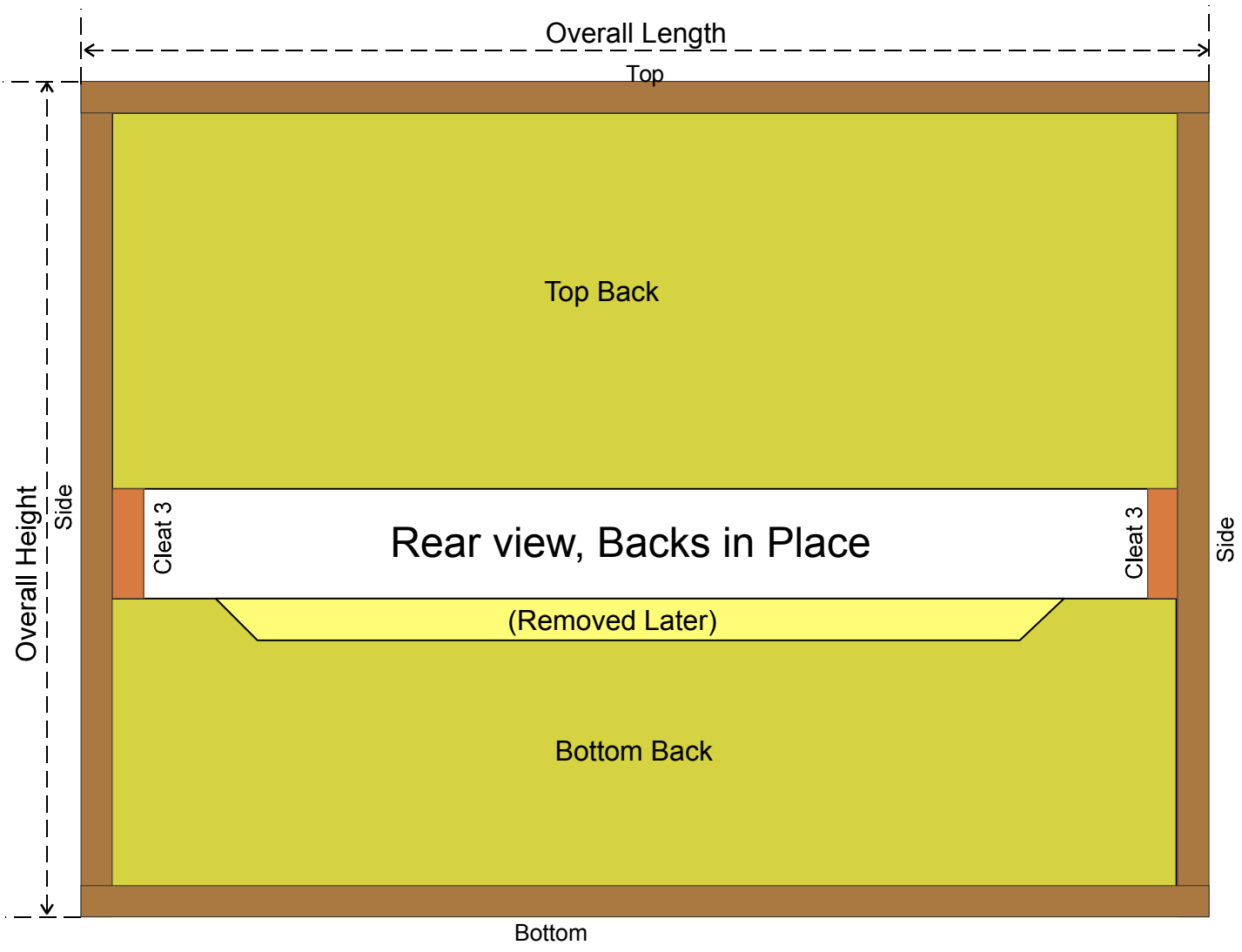
AC-30 - Top Back and Bottom Back



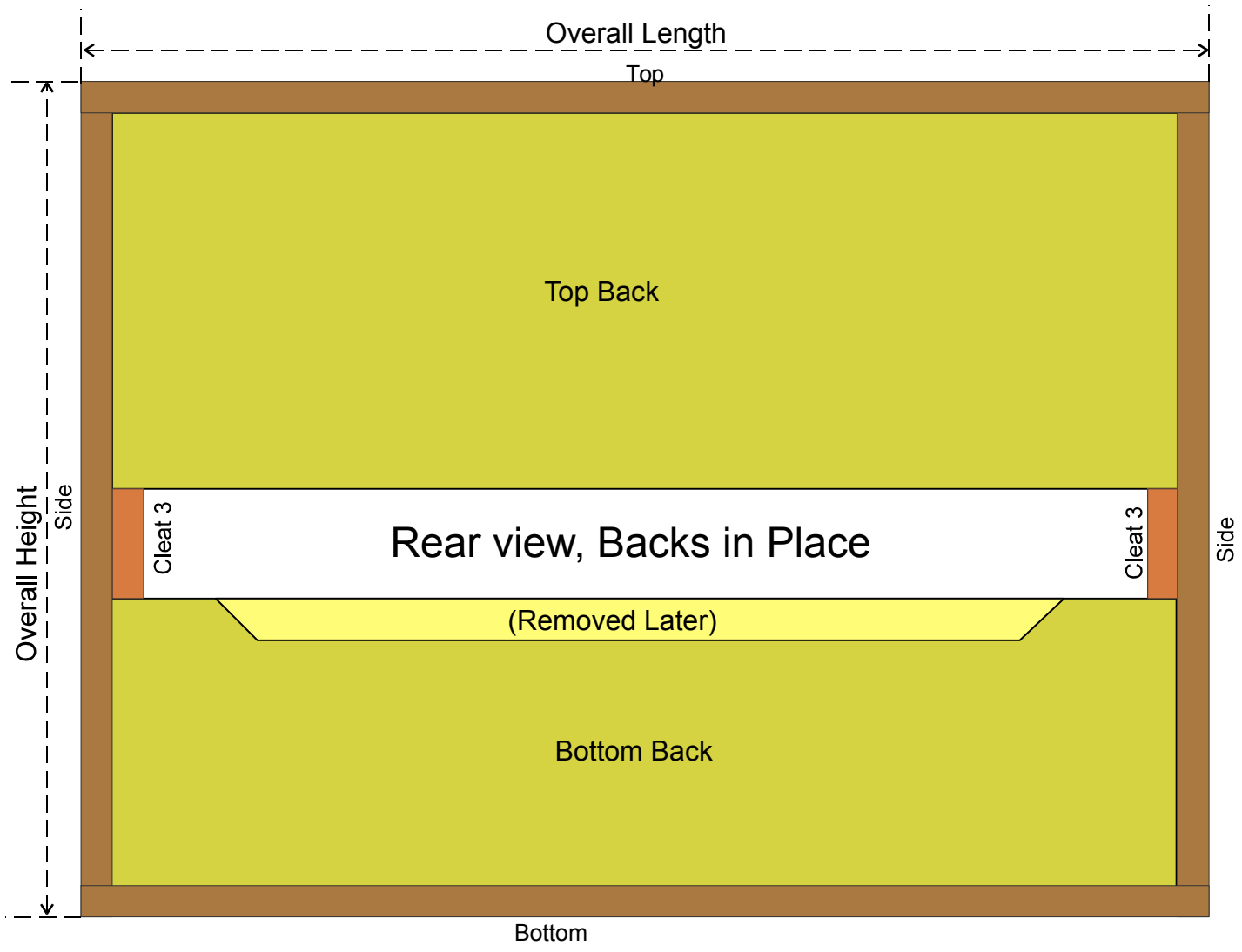
AC-30 - Top Back and Bottom Back



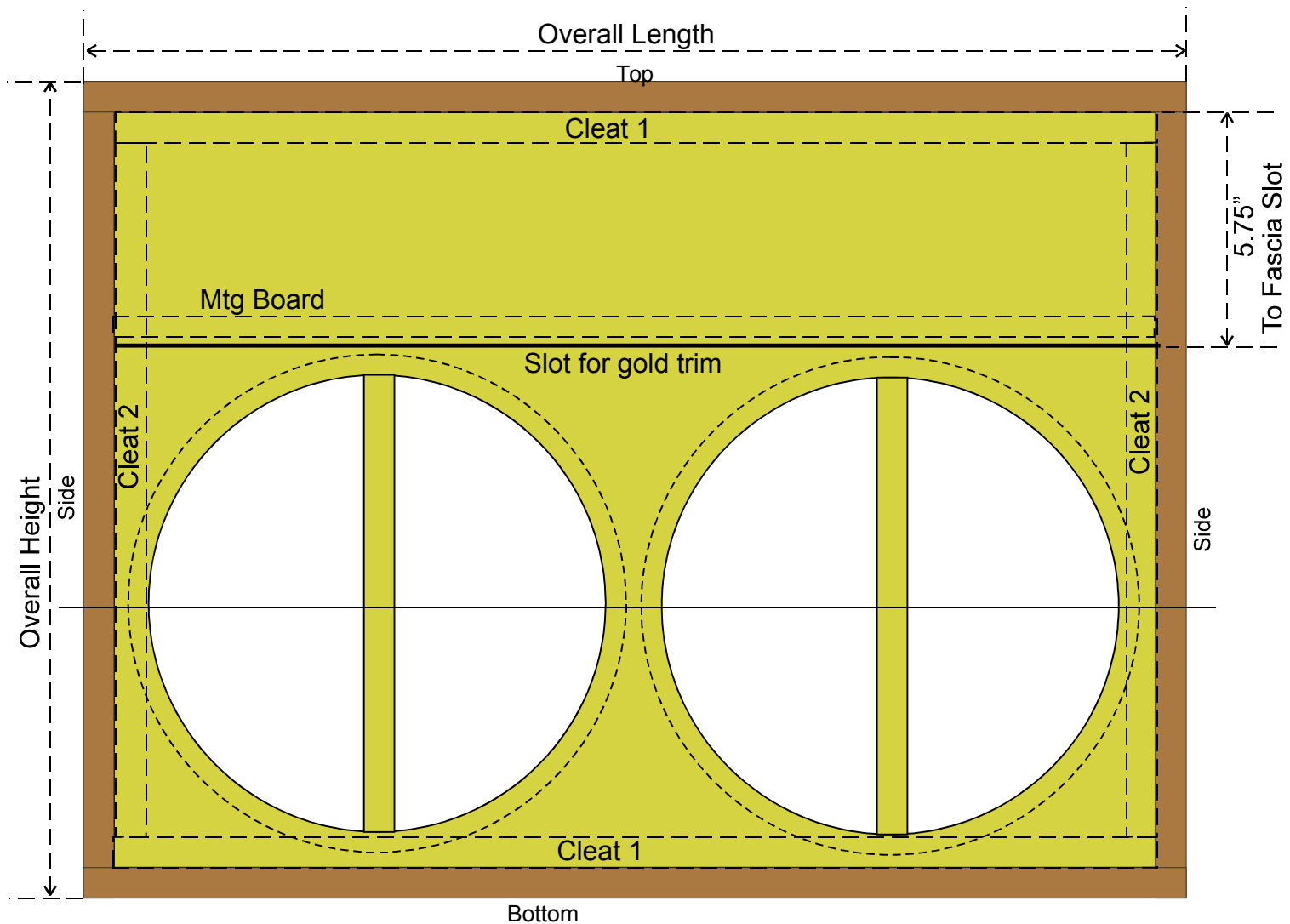
AC-30 - Top Back and Bottom Back



AC-30 - Top Back and Bottom Back

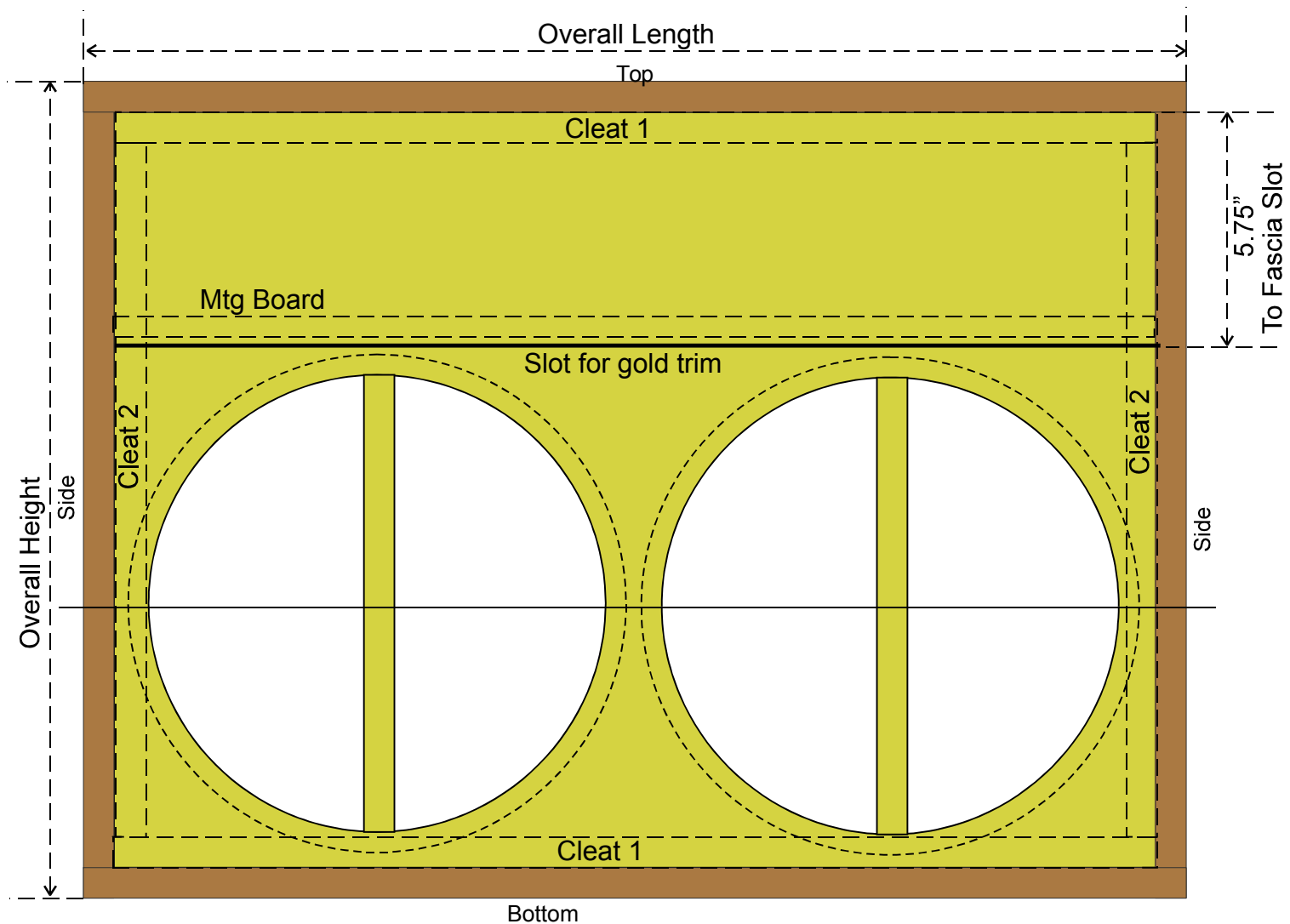


AC-30 - Front and Speaker Baffle



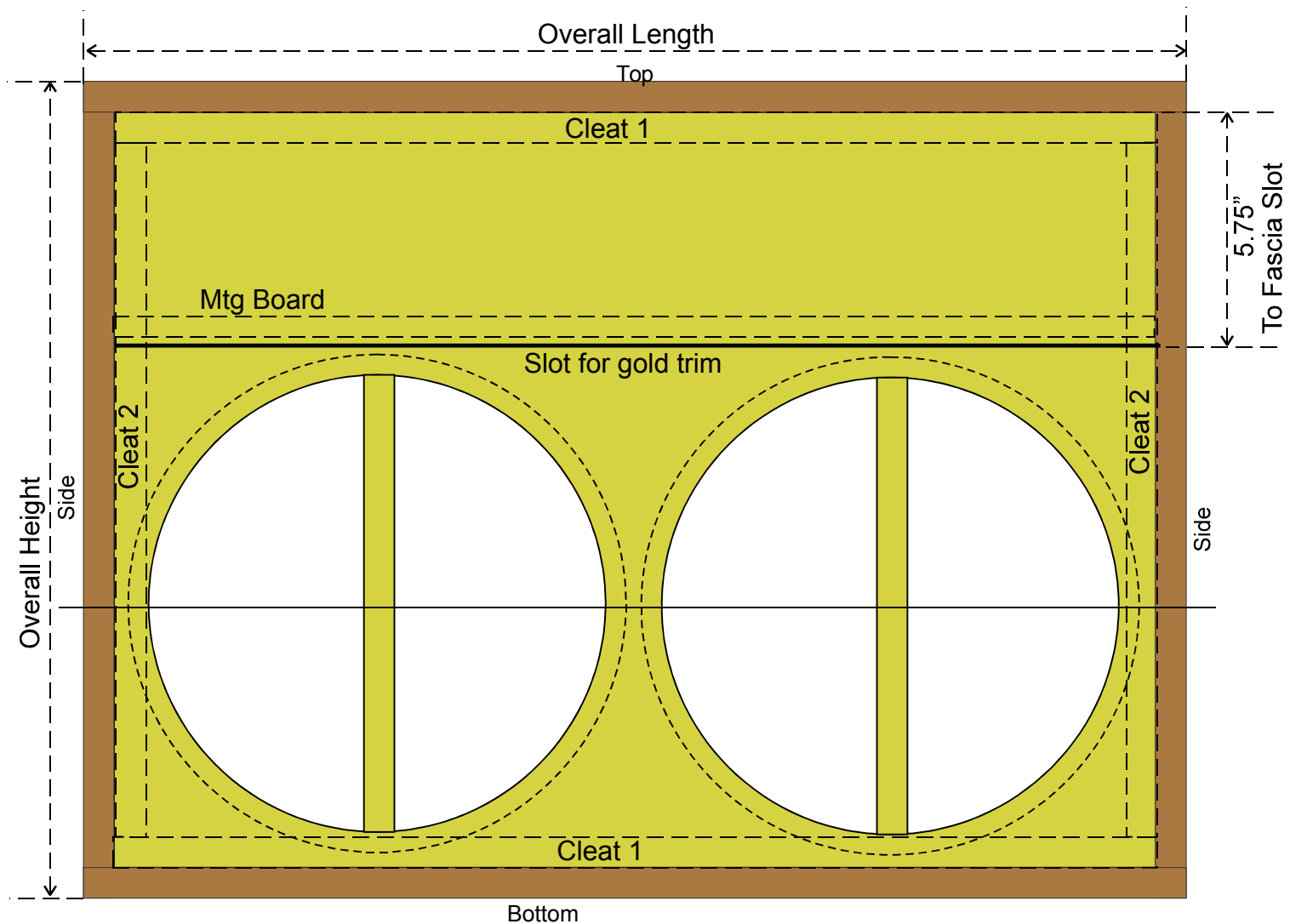
Note that there is room for two 12" speakers in a box with 3/4" thick sides and 3/4" thick cleats, but the cleats have to be carved to fit the speakers at the outer edges. The specified dimensions for a Celestion 12" nominal guitar speaker is 12 3/16" OD (the dashed outer circle) and 11 3/16" open cutout. There is a 3/4" bar left in the center of the speaker cutout for grille support and speaker protection.

AC-30 - Front and Speaker Baffle



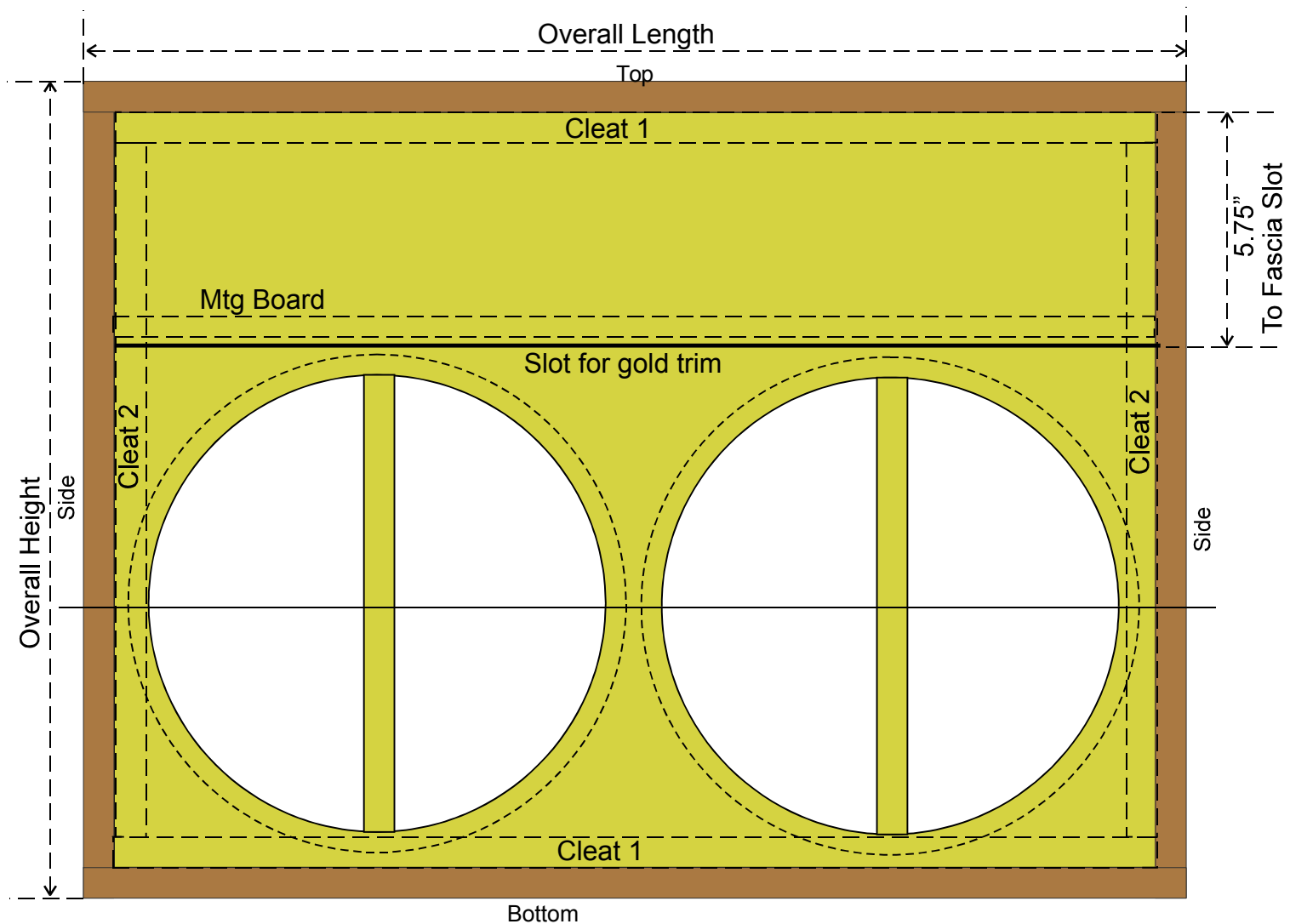
Note that there is room for two 12" speakers in a box with 3/4" thick sides and 3/4" thick cleats, but the cleats have to be carved to fit the speakers at the outer edges. The specified dimensions for a Celestion 12" nominal guitar speaker is 12 3/16" OD (the dashed outer circle) and 11 3/16" open cutout. There is a 3/4" bar left in the center of the speaker cutout for grille support and speaker protection.

AC-30 - Front and Speaker Baffle



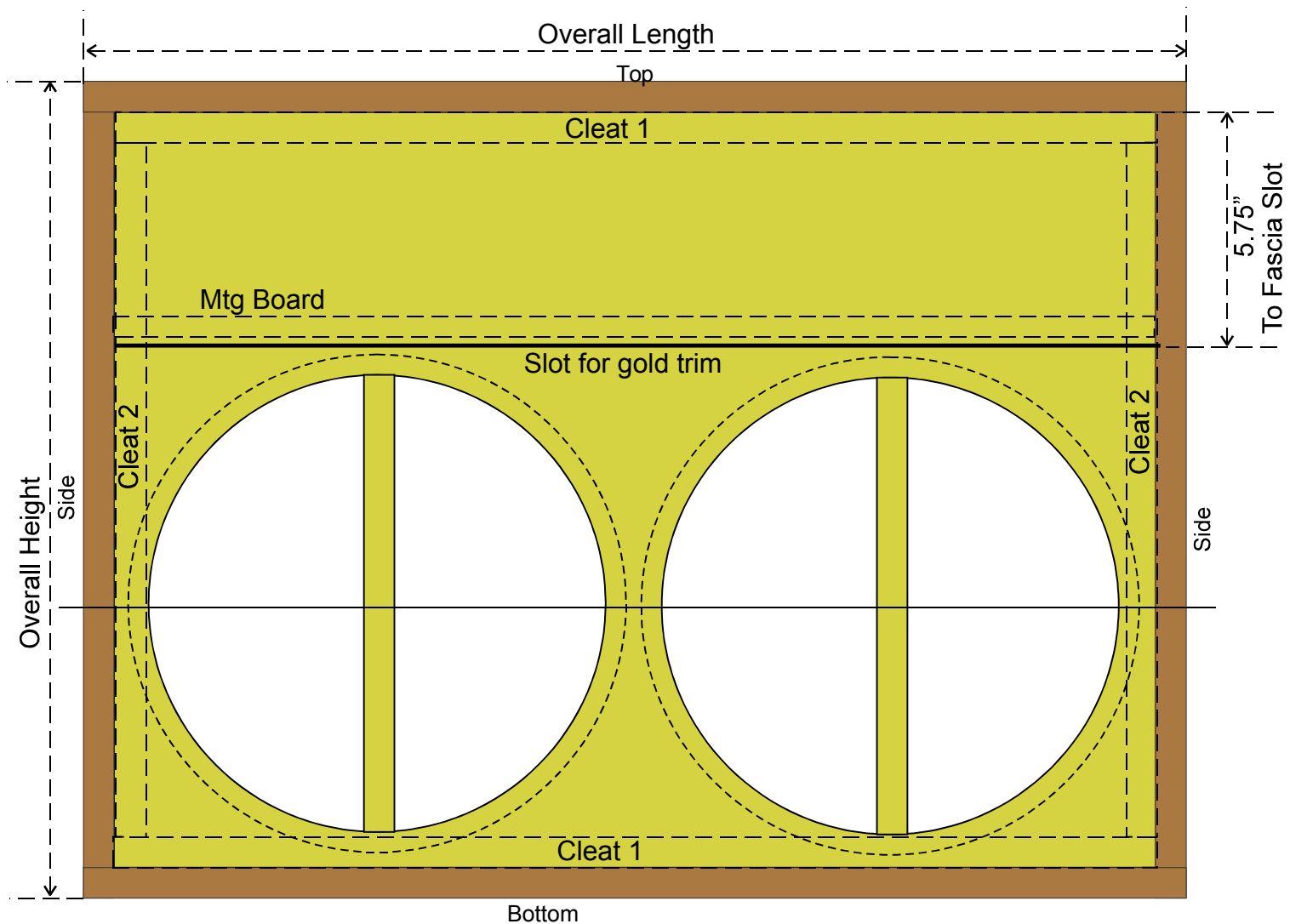
Note that there is room for two 12" speakers in a box with 3/4" thick sides and 3/4" thick cleats, but the cleats have to be carved to fit the speakers at the outer edges. The specified dimensions for a Celestion 12" nominal guitar speaker is 12 3/16" OD (the dashed outer circle) and 11 3/16" open cutout. There is a 3/4" bar left in the center of the speaker cutout for grille support and speaker protection.

AC-30 - Front and Speaker Baffle



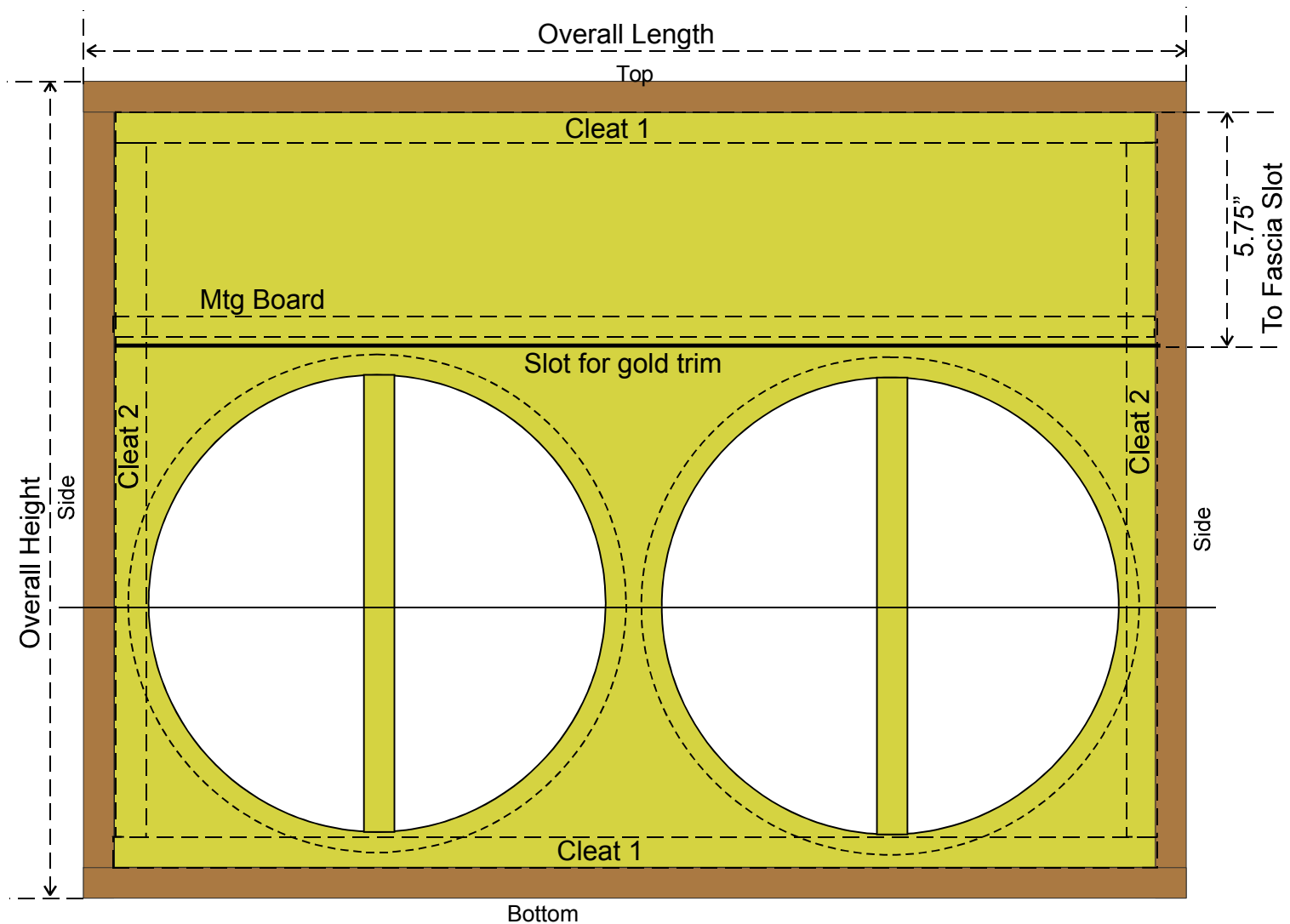
Note that there is room for two 12" speakers in a box with 3/4" thick sides and 3/4" thick cleats, but the cleats have to be carved to fit the speakers at the outer edges. The specified dimensions for a Celestion 12" nominal guitar speaker is 12 3/16" OD (the dashed outer circle) and 11 3/16" open cutout. There is a 3/4" bar left in the center of the speaker cutout for grille support and speaker protection.

AC-30 - Front and Speaker Baffle



Note that there is room for two 12" speakers in a box with 3/4" thick sides and 3/4" thick cleats, but the cleats have to be carved to fit the speakers at the outer edges. The specified dimensions for a Celestion 12" nominal guitar speaker is 12 3/16" OD (the dashed outer circle) and 11 3/16" open cutout. There is a 3/4" bar left in the center of the speaker cutout for grille support and speaker protection.

AC-30 - Front and Speaker Baffle



Note that there is room for two 12" speakers in a box with 3/4" thick sides and 3/4" thick cleats, but the cleats have to be carved to fit the speakers at the outer edges. The specified dimensions for a Celestion 12" nominal guitar speaker is 12 3/16" OD (the dashed outer circle) and 11 3/16" open cutout. There is a 3/4" bar left in the center of the speaker cutout for grille support and speaker protection.