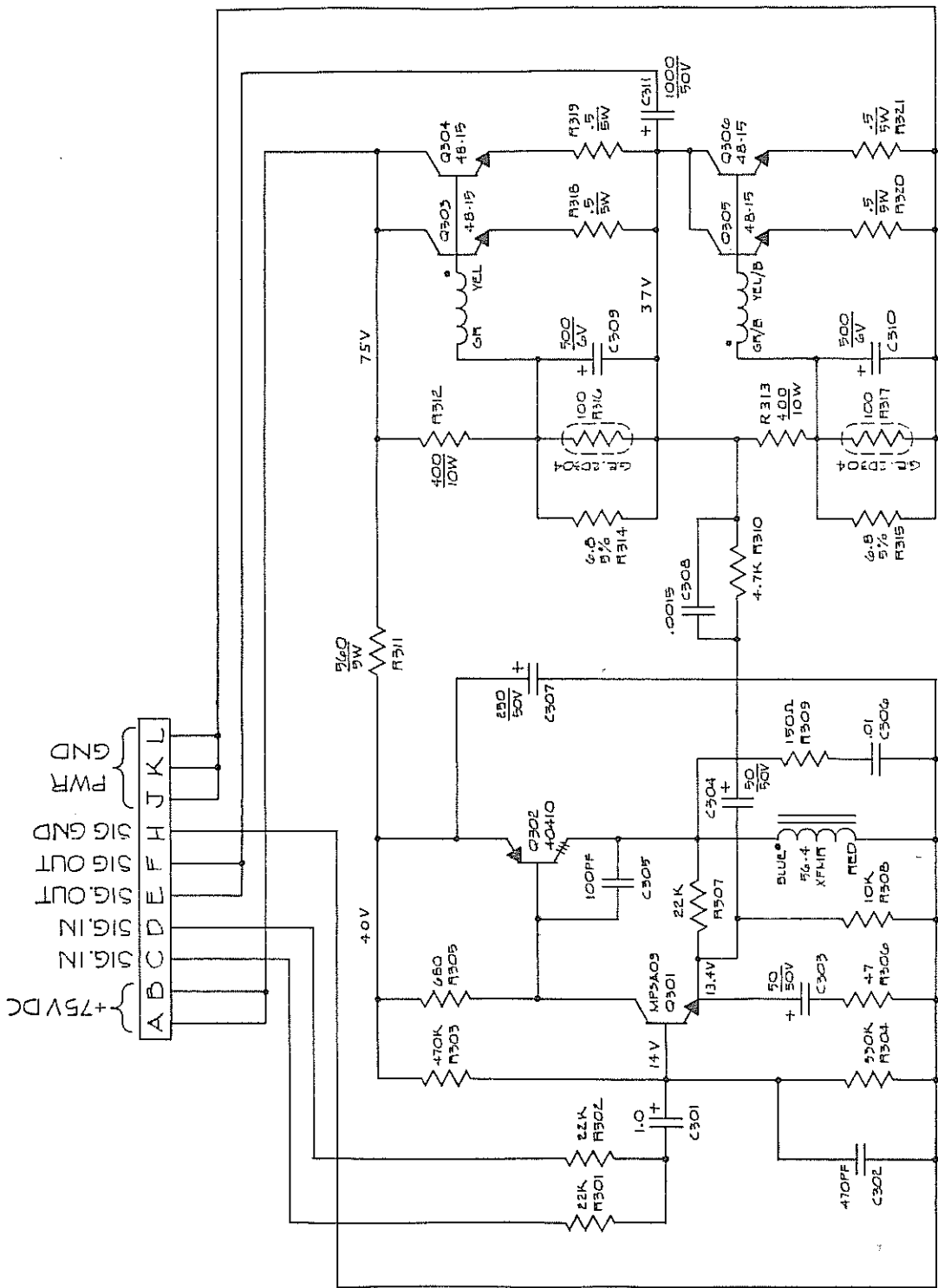


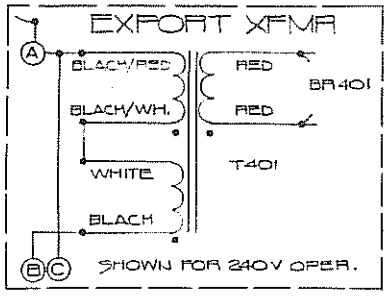
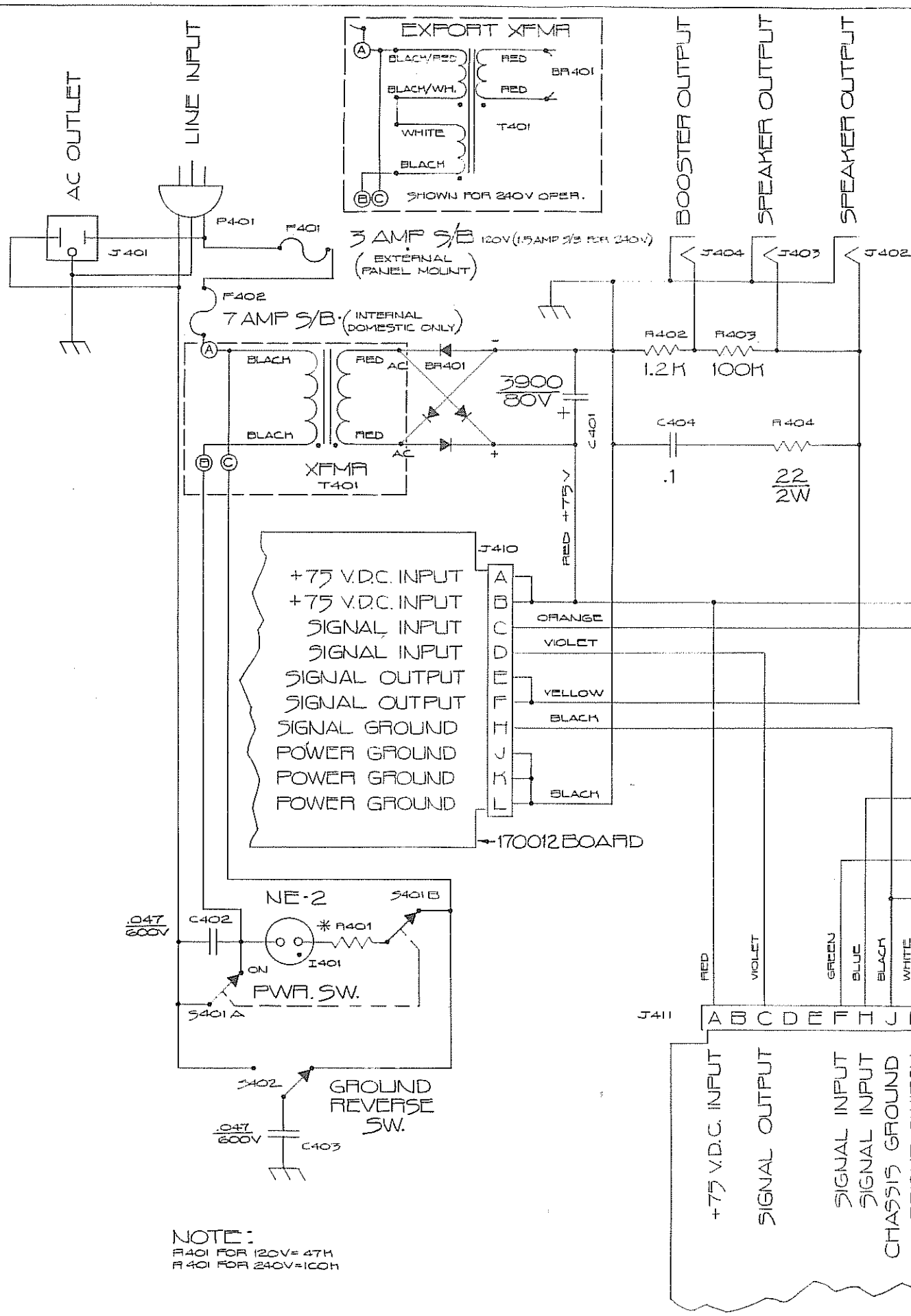
PREAMP (17-10)

CHG PER ECU 1101	12-11-72
ALMADE NEW DWG	1-11-71
SCALE: NONE	APPROVED:
DATE: 1-11-71	1002
SCHEMATIC 17-10	
ACOUSTIC CONTROL CORP. 1104B	



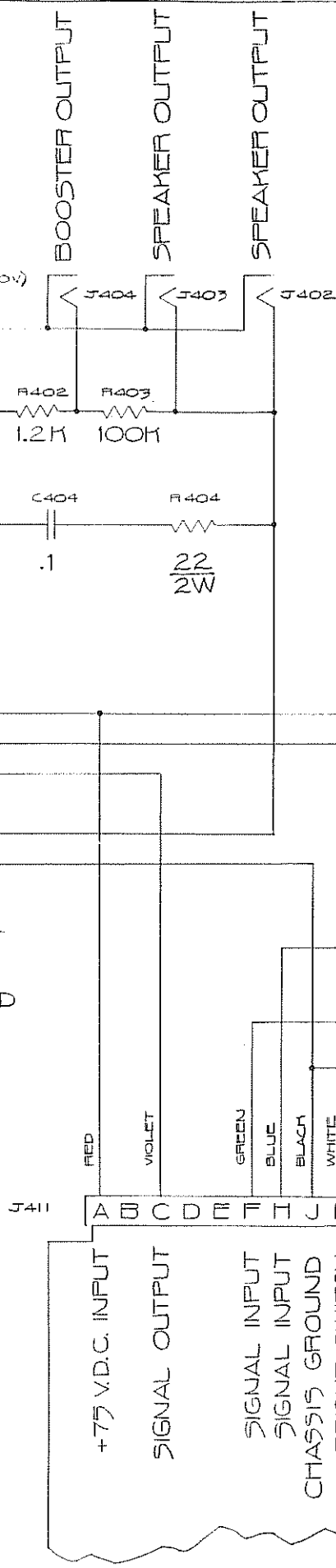
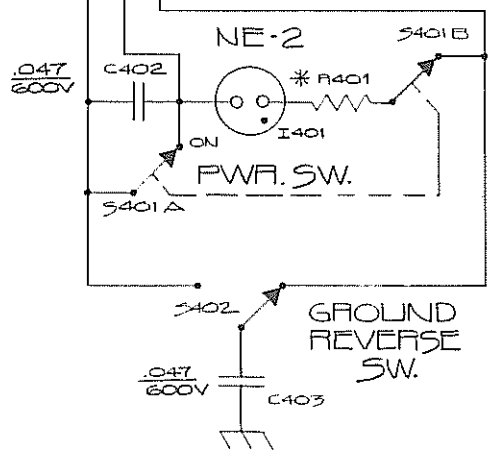
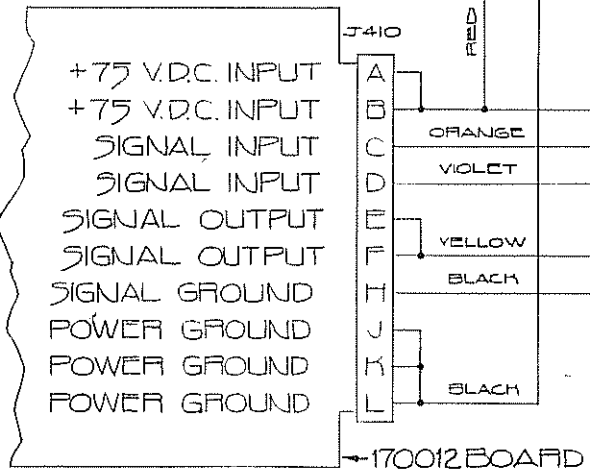
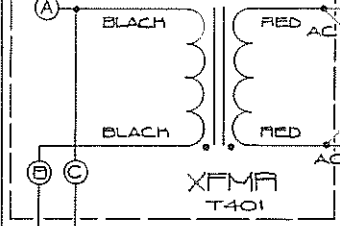
POWER MODULE (17-12)

A	MADE NEW VELLUM	1-11-71	M/1620
SCALE	NONE	APPROVED	DRAWN M/1620
DATE	1-11-71	<i>[Signature]</i>	
SCHEMATIC (17-12)			
ACOUSTIC CONTROL CORP			1103A

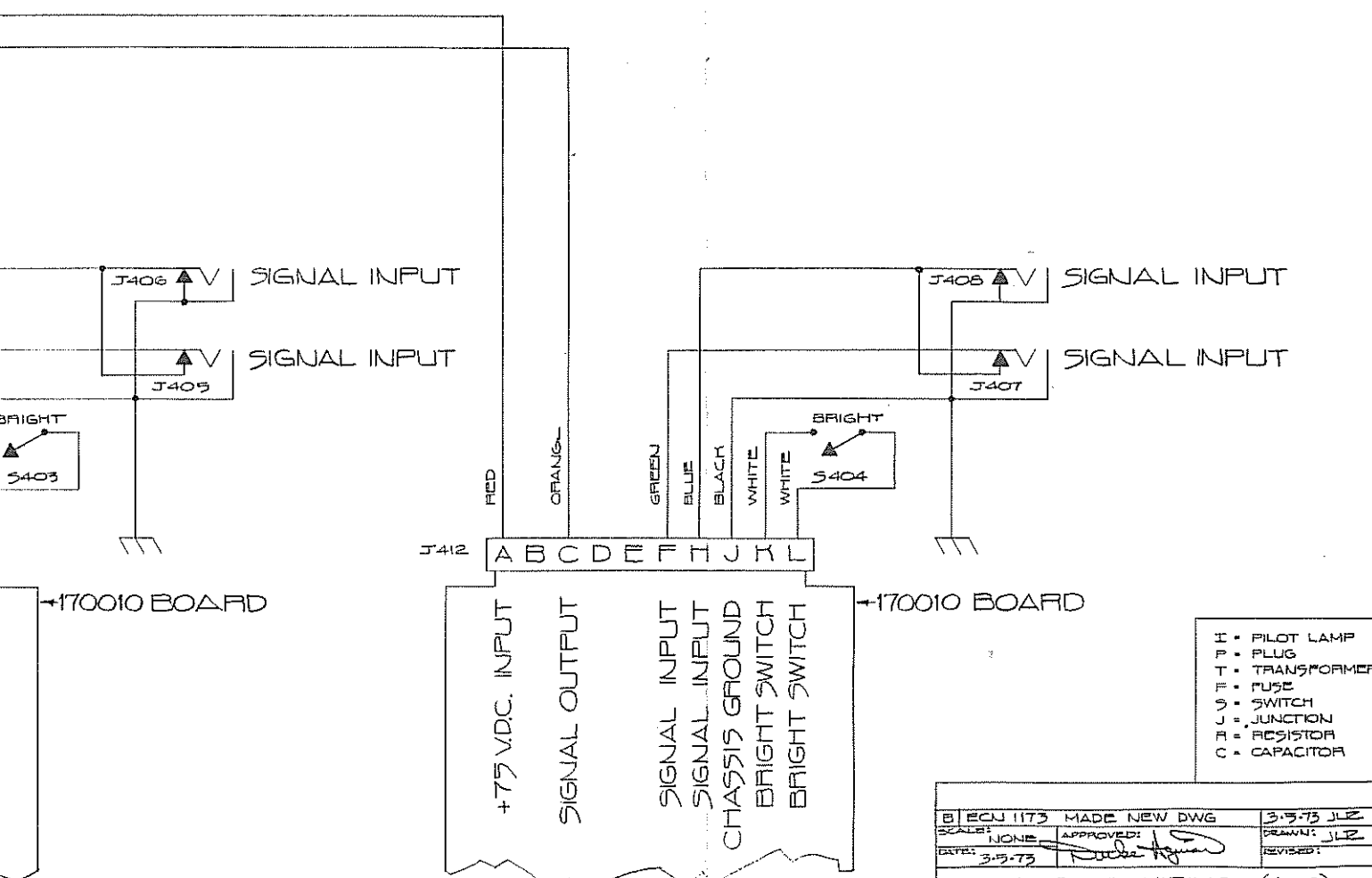


3 AMP S/B 120V (1.5 AMP S/B FOR 240V)  
 (EXTERNAL PANEL MOUNT)

7 AMP S/B (INTERNAL DOMESTIC ONLY)



**NOTE:**  
 R401 FOR 120V=47M  
 R401 FOR 240V=100M



- I = PILOT LAMP
- P = PLUG
- T = TRANSFORMER
- F = FUSE
- S = SWITCH
- J = JUNCTION
- R = RESISTOR
- C = CAPACITOR

B ECU 1173 MADE NEW DWG		3-5-73 JLE
SCALE: NONE	APPROVED: <i>[Signature]</i>	DRAWN: JLE
DATE: 3-5-73		REVISED:
CHASSIS WIRING (140)		
ACOUSTIC CONTROL		1103B