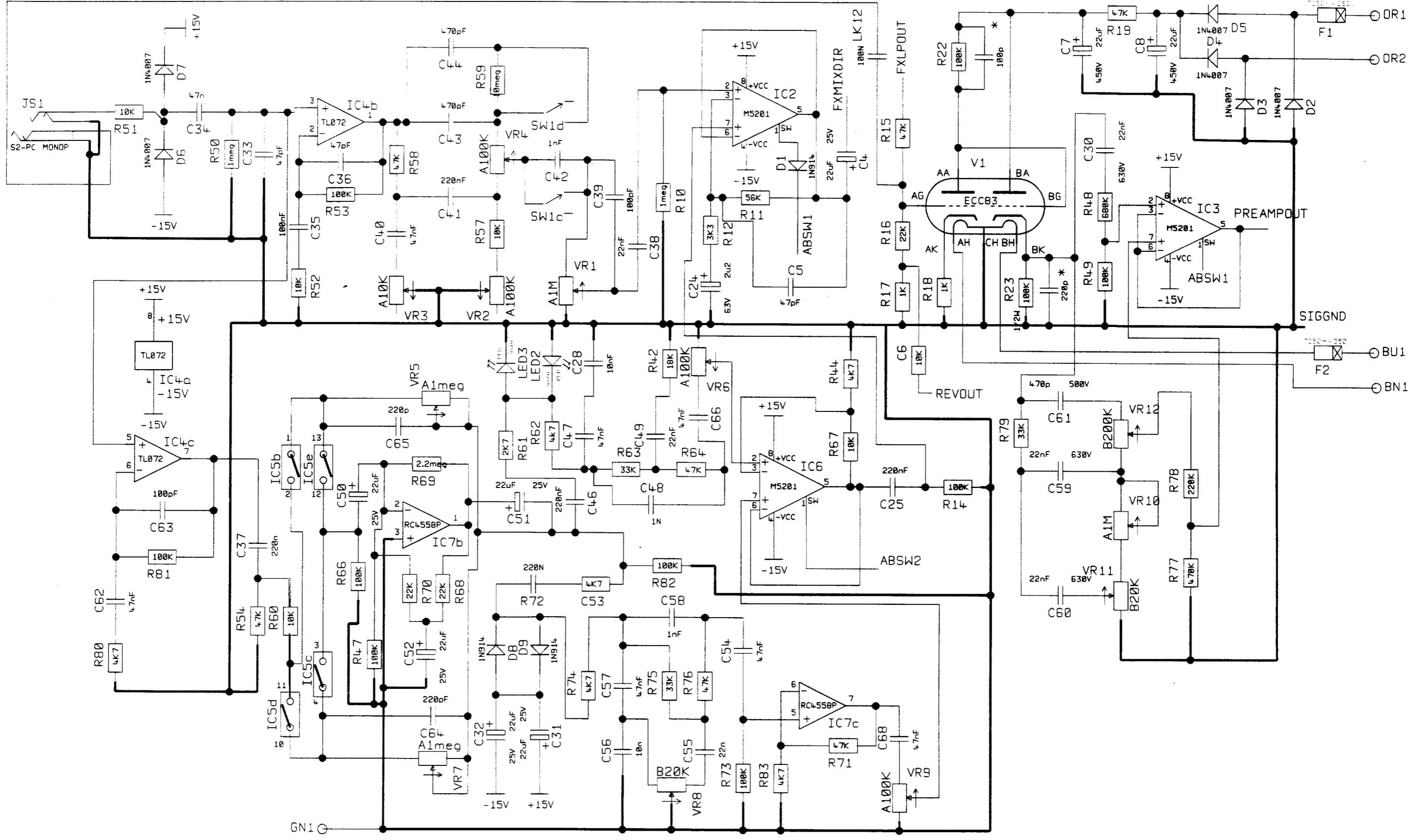


DWG.No.V100-60-02



* CAPACITORS FITTED ON EUROPEAN UNITS ONLY. REF CONCESSION 1112

3		1164	26-04-96	A	E	J	N	MATERIAL		DIMENSIONS IN		<p>© MARSHALL AMPLIFIERS LTD DENBIGH ROAD, BLETCHLEY, MILTON KEYNES MK1 1JQ TEL: 01295 376111 FAX: 01295 376112</p>	TITLE PRE AMP PCB SHT 1 OF 2 DWG.No V100-60-02 ISS 3
2		1110	13-2-96	B	F	K	P	MATERIAL THICKNESS		TOLERANCE UNLESS OTHERWISE STATED			
ISS		ECONUMBER	DATE	C	G	L	Q	DATE		VS100			
				D	H	M	R	DATE					