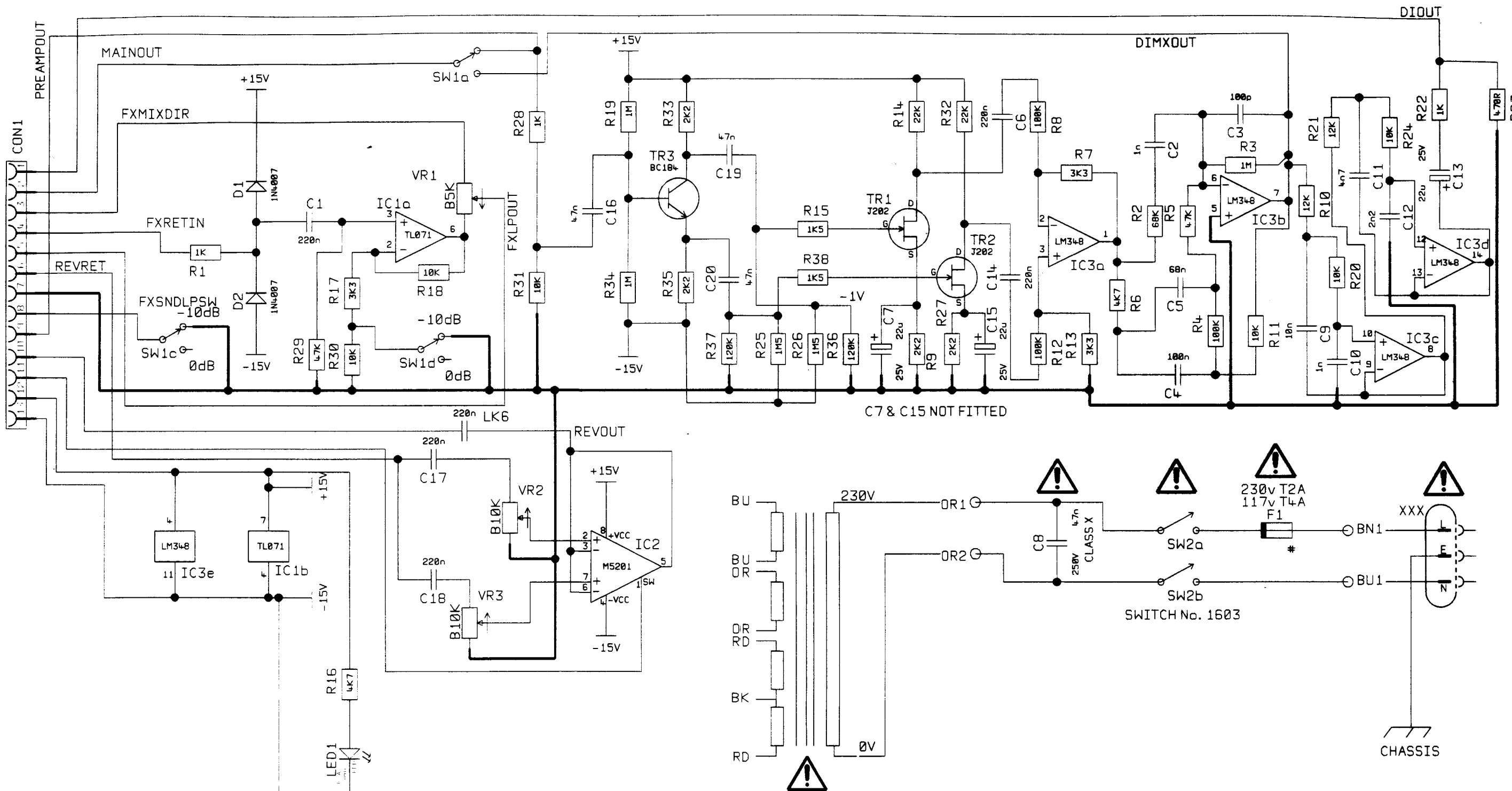


DWG.No. V100-61-02



TRANSFORMER No.:-  
 230V = 96B-1  
 100V = 96B-5  
 117V = 96B-4

ISS	ECO NUMBER	DATE	D	H	M	R
4	1164	26-04-96	A	E	J	N
3	1164	14-2-96	B	F	K	P
2	1110	13-2-96	C	G	L	Q

MATERIAL		DIMENSIONS IN	
MATERIAL THICKNESS	DATE	TOLERANCE UNLESS OTHERWISE STATED	DATE
DRAWN: SG	DATE: 14_9_95		
CHECKED: A.C.	DATE: 29-4-96		
APPROVED:	DATE:		

**Marshall**  
 MARSHALL AMPLIFICATION LTD.  
 1000 SOUTH ROAD, BLETCHLEY, MILTON KEYNES, MK1 1UU.  
 TEL: 01295 277511 FAX: 01295 277512

TITLE  
**VS100 DAUGHTER PCB**  
 DWG.No. **V100-61-02** ISS **4**