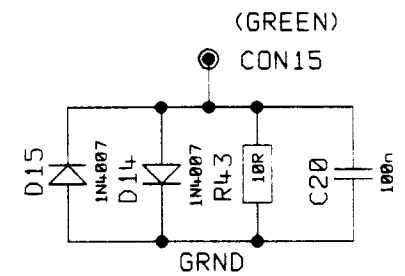
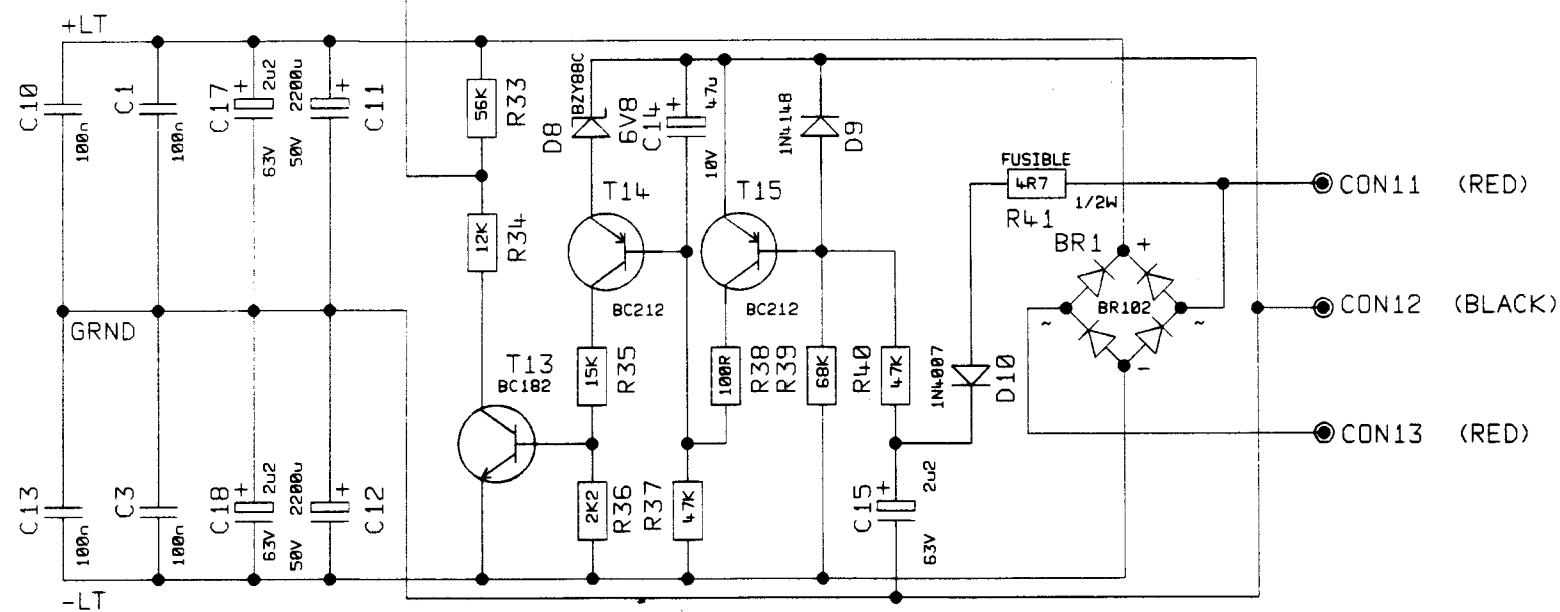
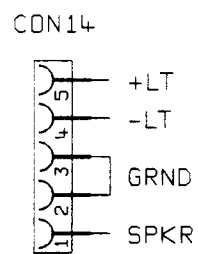
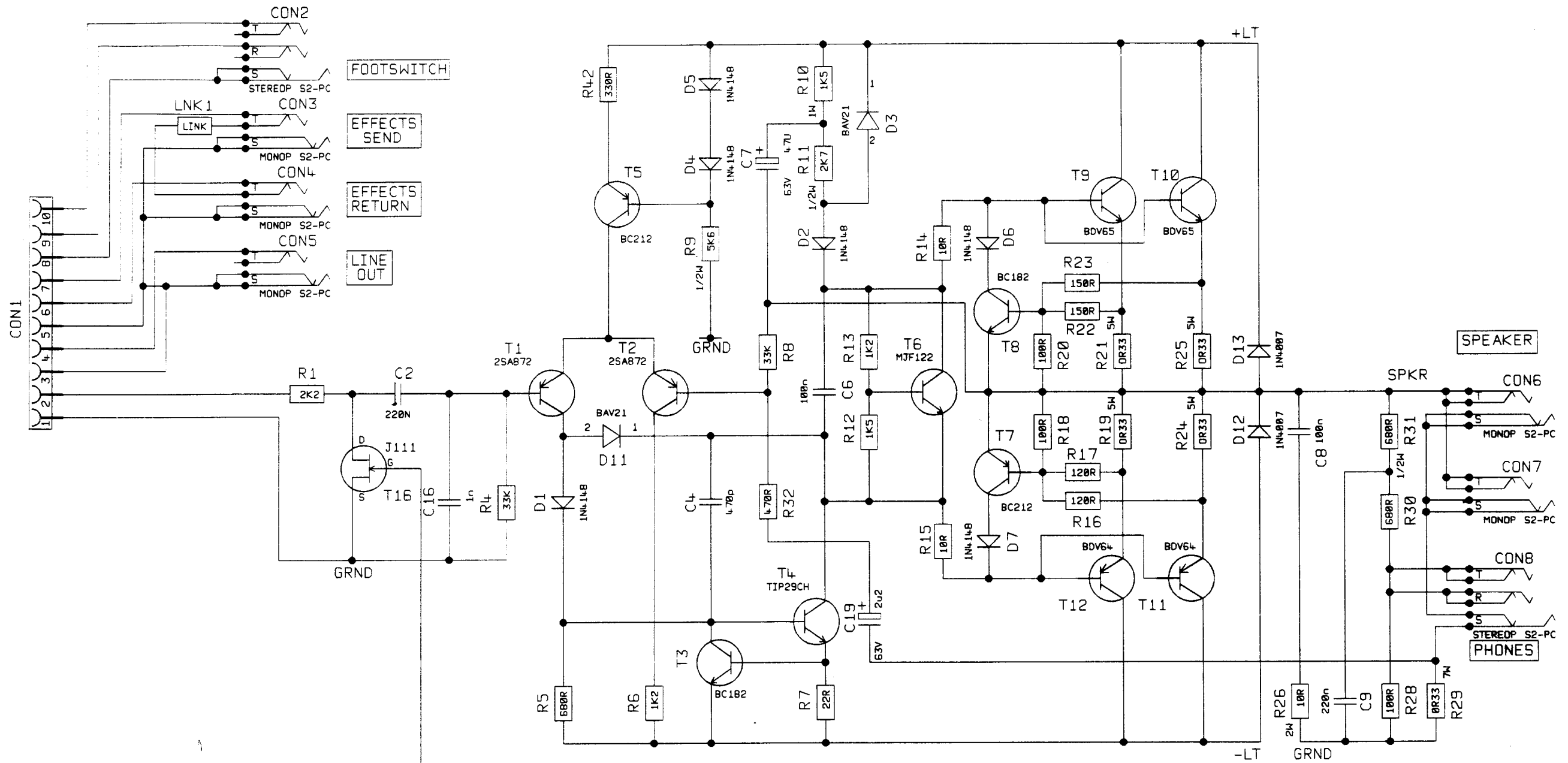


V100-62-02.DGM



R27 & C5 NOT FITTED

ignorelayers 7

ISS		ECO NUMBER		DATE		ALL OTHER HOLES =		X = (THROUGH PLATED)		MATERIAL		DIMENSIONS IN.		TITLE				
A	B	C	D	E	F	G	H	I	J	K	L	M	N	P	Q	R	VS100 POWER MODULE	
										DRAWN B.KEIR		DATE 08.09.95		DWG.No V100-62-02.DGM		ISS 1		
										CHECKED		DATE		MODEL				
										APPROVED B.A		DATE 14-2-96						



© 2011 MARSHALL ELECTRONICS LTD.  
 DENBIGH ROAD, BLETCHLEY, MIDDLSEX, ENGLAND, U.K.  
 TEL: (0906) 775111 FAX: (0906) 775133