

Rumble Series Bass Amps

(non - servicable)

0057945000	CORNER, PLASTIC, RUMBLE 60/100	0072766000	IEC Connector, Rumble 15
0062760000	CORNER, PLASTIC, RUMBLE 15/25	0072767000	IEC Connector, Rumble 25, 60, 100
0062761000	SPEAKER, 8", RUMBLE 15		
0062762000	SPEAKER, 10", RUMBLE 25		
0062763000	SPEAKER, 12", 8 OHM, RUMBLE 60		
0062764000	SPEAKER, 15", 4 OHM, RUMBLE 100		
0062765000	JACK, ASSY, PHONE, RUMBLE (STEREO)		
0062766000	JACK, ASSY, PHONE, RUMBLE (MONO)		
0062767000	CONTROL, 10K, RUMBLE		
0062768000	CONTROL, 50K, W/DETENT, RUMBLE		
0062769000	CONTROL, 50K, RUMBLE		
0062770000	CONTROL, 10K, W/DETENT, RUMBLE		
0062771000	KNOB, RUMBLE SERIES		
0062772000	HANDLE, RUMBLE 15/25		
0062774000	HANDLE, RUMBLE 60/100		
0062775000	BRACKET,HANDLE, RUMBLE 15		
0062776000	BRACKET,HANDLE, RUMBLE 25/60/100		
0069960000	POWER SWITCH, RUMBLE SERIES		
0070225000	CASTER SWIVEL BASSMAN SERIES (for Rumble 100)		

Rumble 100 Horn - 0049260000 HORN PIEZO

Vol for Rumble 15/25, L/O for Rumble 100

Low, Mid, High for Rumble 15/25

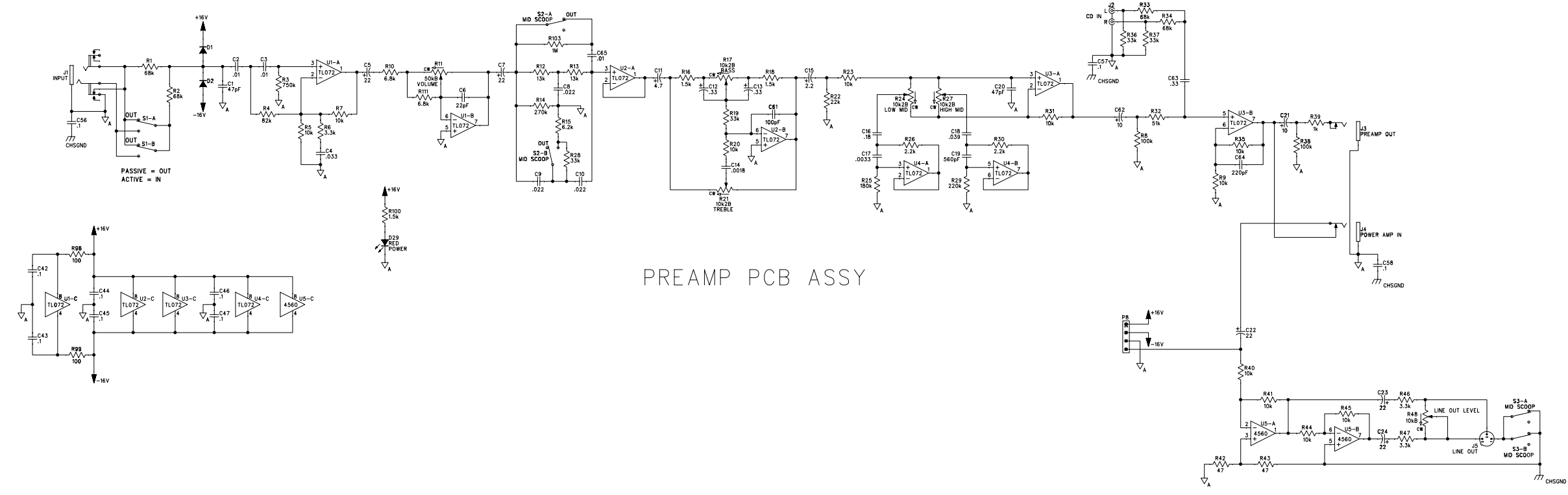
Volume for Rumble 60/100

Bass, Trebl, Low-Mid, High-Mid for Rumble 60/100

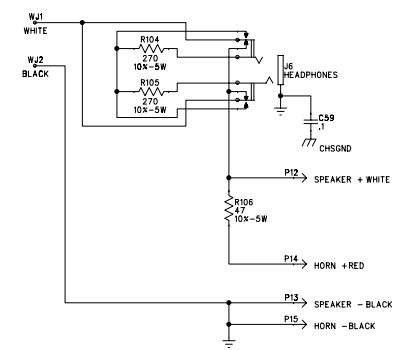
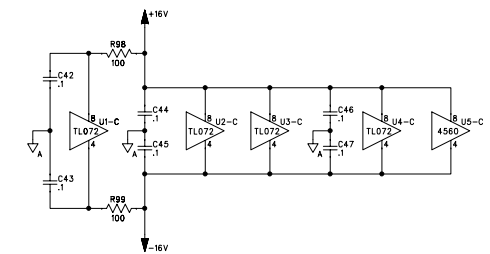


8 7 6 5 4 3 2 1

REVISIONS			
REV.	DESCRIPTION	DATE	APPROVED
A	PR559	26-NOV-03	dBL



PREAMP PCB ASSY



6. LAST REFERENCE DESIGNATORS USED: C61, D35, F1, J6, P15, Q22, R106, S3, U8.
5. THIS SCHEMATIC IS FOR PCB FABRICATION P/N 006156000 AND PCB ASSEMBLY P/N 006156000 (PREAMP). PCB FABRICATION P/N 006156000 AND PCB ASSEMBLY P/N 006155900 (POWER AMP).
4. ALL DIODES ARE 1N4448.
3. ALL POLARIZED CAPACITORS IN µF, 20% 25V MINIMUM.
2. ALL UNPOLARIZED CAPACITORS IN µF, 10% OR BETTER, 50V MINIMUM. (POWER SUPPLY BYPASS CAPACITORS ARE 20%).
1. ALL RESISTORS IN OHMS, 5% 1/4W.
- NOTES: (UNLESS OTHERWISE NOTED)

THIS DOCUMENT CONTAINS INFORMATION OF A PROPRIETARY NATURE TO FENDER MUSICAL INSTRUMENTS AND IS SUBMITTED TO YOU IN CONFIDENCE AND SHALL NOT BE DISCLOSED OR TRANSMITTED TO OTHERS WITHOUT AUTHORIZATION FROM FENDER MUSICAL INSTRUMENTS.

Fender MUSICAL INSTRUMENTS
Corona, CA U.S.A.

CHECKED BY: _____
DATE: _____

APPROVED BY: _____
DATE: _____

DRAWN: MUJ/dBL ENGR: MUJ/dBL
DATABASE FILE: Z55951.SCH

TITLE: SERVICE DIAGRAM, COMBINED (schematic)
RUMBLE 100
BASS AMPLIFIER

SIZE	DRAWING NUMBER	REV.
D	0061557000	A

RELEASE DATE: 26-NOV-02 SHEET: 1 OF 4

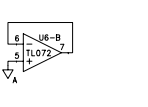
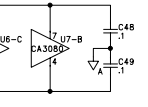
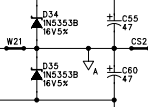
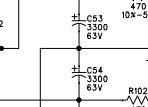
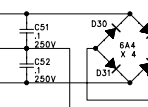
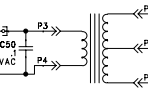
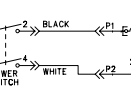
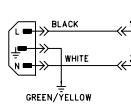
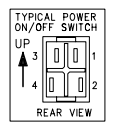
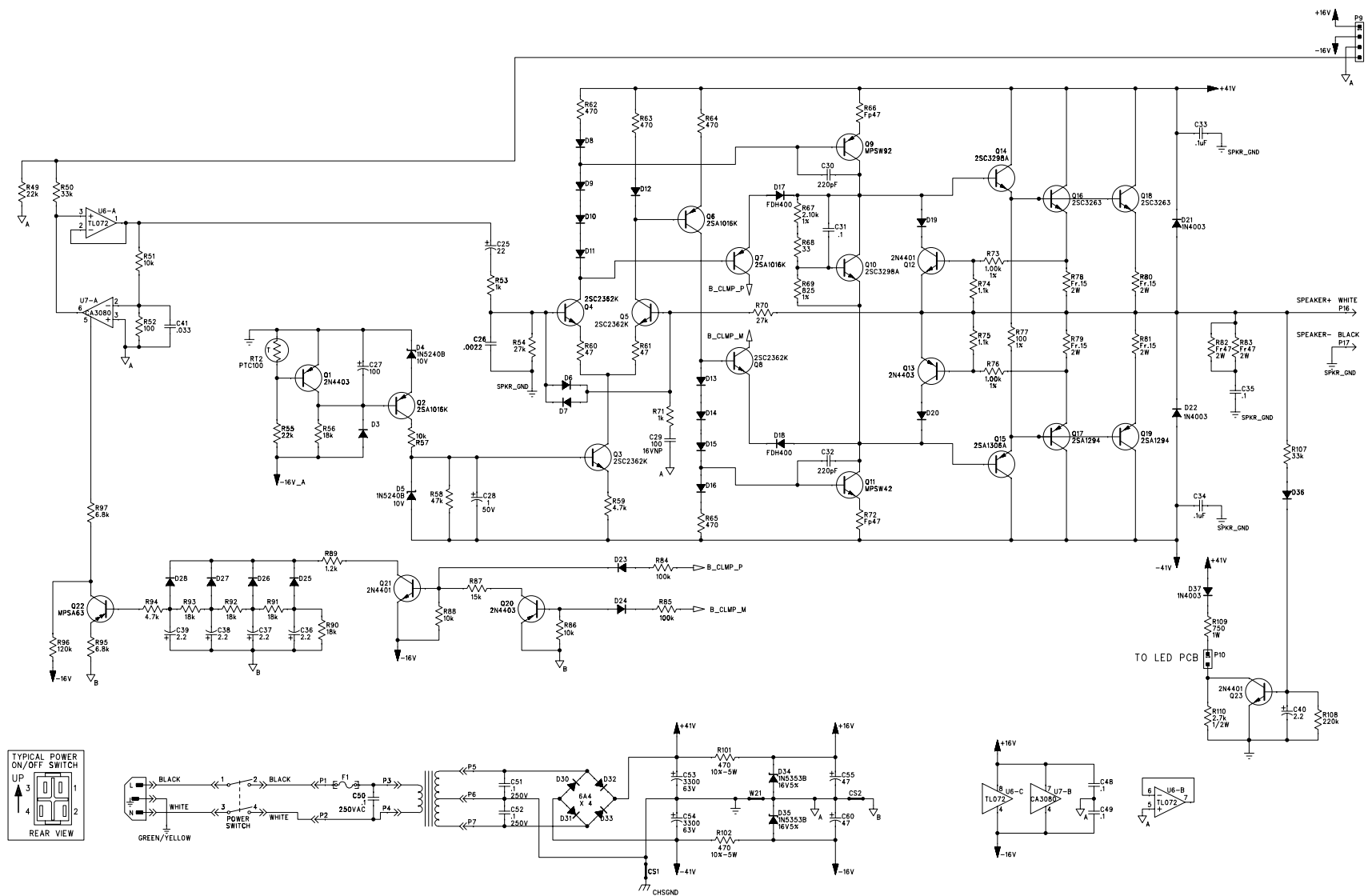
8 7 6 5 4 3 2 1

8 7 6 5 4 3 2 1

REVISIONS			
REV.	DESCRIPTION	DATE	APPROVED
A	PR559	26-NOV-02	dBL

D
C
B
A

D
C
B
A



POWER AMP PCB ASSEMBLY

- NOTES: (UNLESS OTHERWISE NOTED)
1. ALL RESISTORS IN OHMS, 5%; 1/4W.
 2. ALL UNPOLARIZED CAPACITORS IN μ F, 10% OR BETTER; 50V MINIMUM. (POWER SUPPLY BYPASS CAPACITORS ARE 20%).
 3. ALL POLARIZED CAPACITORS IN μ F, 20%; 25V MINIMUM.
 4. ALL DIODES ARE 1N4448.
 5. THIS SCHEMATIC IS FOR PCB FABRICATION P/N 0061558000 AND PCB ASSEMBLY P/N 0061558000 (PREAMP), PCB FABRICATION P/N 0061560000 AND PCB ASSEMBLY P/N 0061559000 (POWER AMP).
 6. LAST REFERENCE DESIGNATORS USED: C61, D35, F1, J6, P15, Q22, R104, S3, U8.

THIS DOCUMENT CONTAINS INFORMATION OF A PROPRIETARY NATURE TO FENDER MUSICAL INSTRUMENTS AND IS SUBMITTED TO YOU IN CONFIDENCE AND SHALL NOT BE DISCLOSED OR TRANSMITTED TO OTHERS WITHOUT AUTHORIZATION FROM FENDER MUSICAL INSTRUMENTS.		MUSICAL INSTRUMENTS Corona, CA U.S.A.	
CHECKED BY: _____		TITLE: SERVICE DIAGRAM, COMBINED (schematic)	
DATE: _____		RUMBLE 100	
APPROVED BY: _____		BASS AMPLIFIER	
DATE: _____	SIZE: D	DRAWING NUMBER: 0061557000	REV. A
DRAWN: MU/dBL	ENGR: MU/dBL	RELEASE DATE: 26-NOV-02	SHEET: 2 OF 4
DATABASE FILE: Z55952.SCH			

8 7 6 5 4 3 2 1