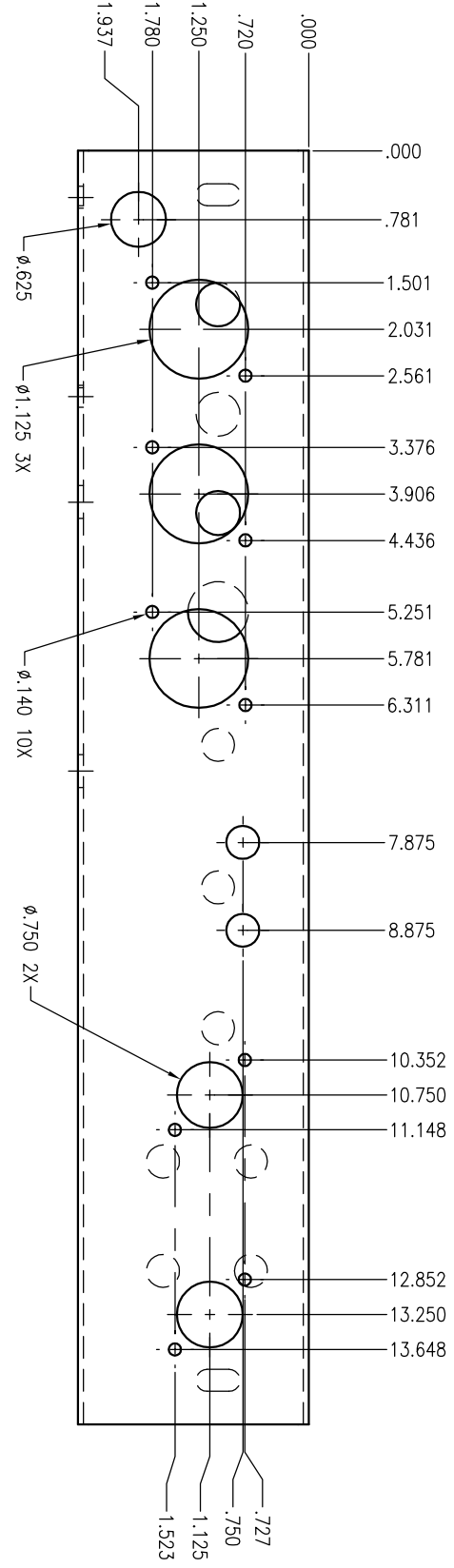
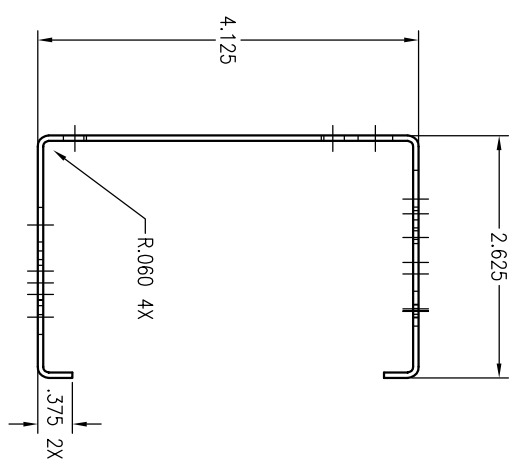
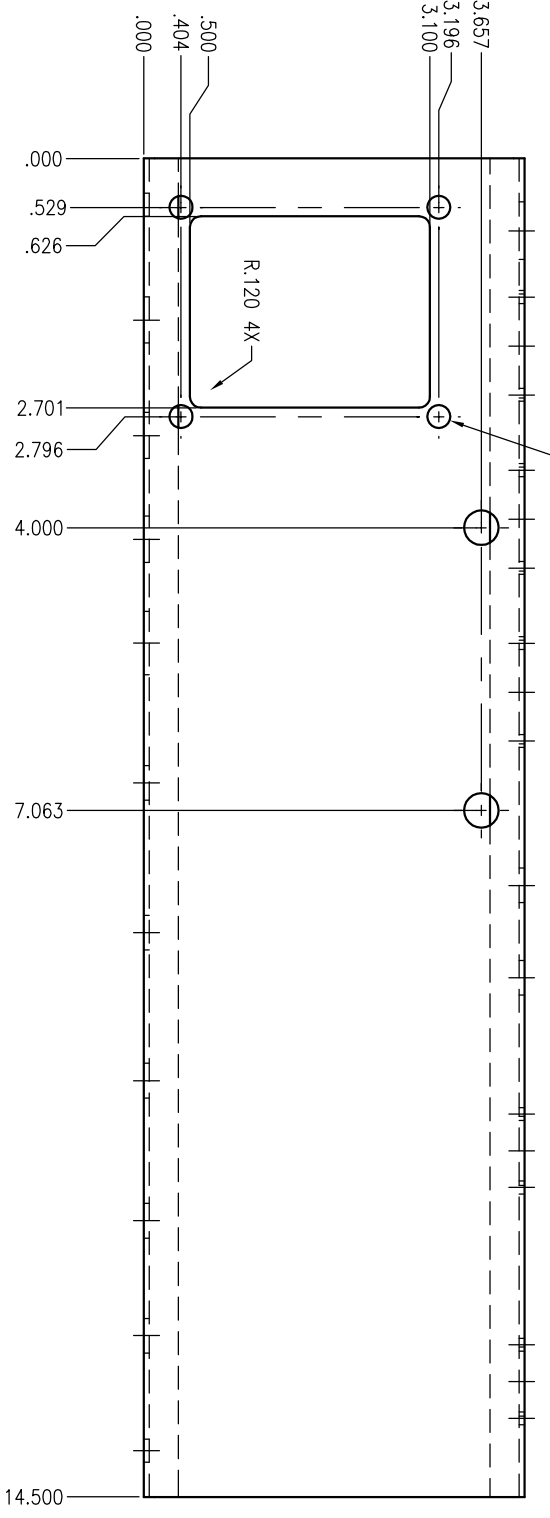
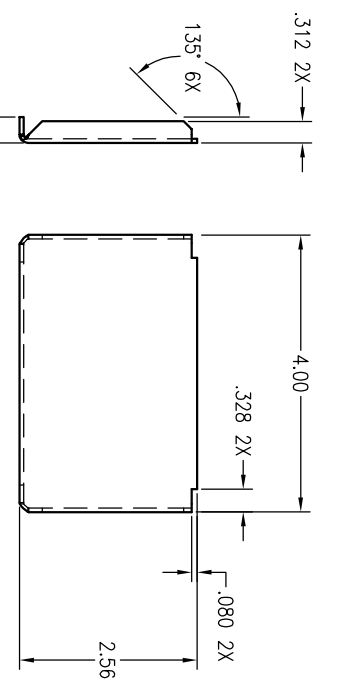


8 7 6 5 4 3 2 1

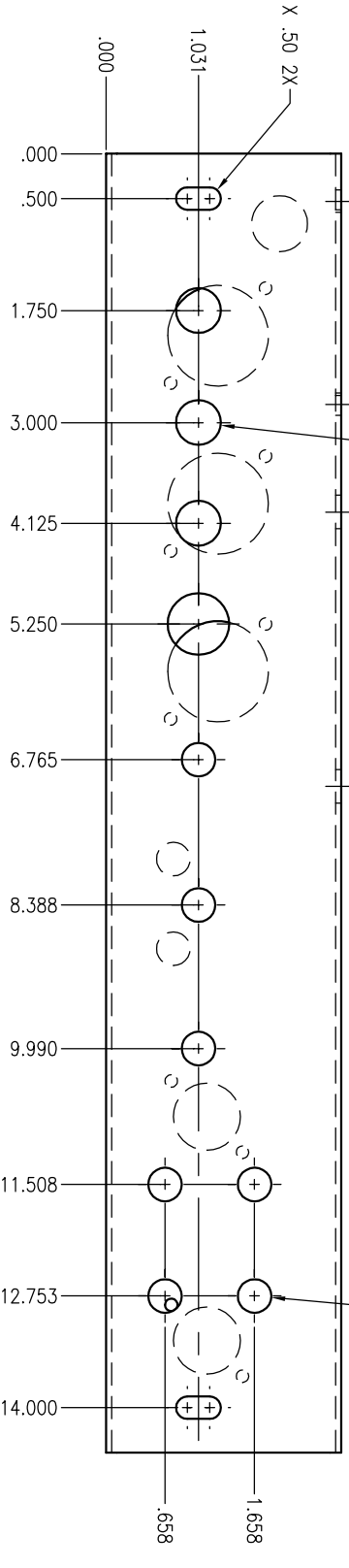
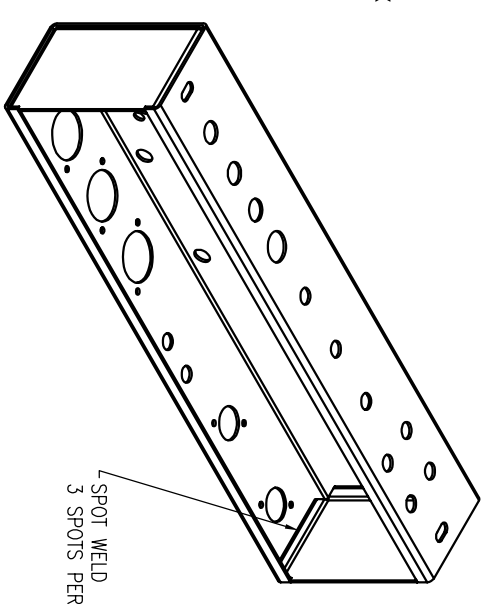


END CAP DETAIL
2 REQUIRED

SCALE: 3/4



NOTES:
PART TO BE FREE OF BURRS AND SHARP EDGES.
FINISH TO BE CHROME PLATE.
TOLERANCE TO BE $\pm .01$ FOR TWO PLACE DECIMALS, $\pm .005$ FOR THREE PLACE DECIMALS.



<p>SCOTT APPLICATION</p>		<p>DATE: 1/1</p>
<p>16 GA. (.0598) CRS</p>	<p>SIZE FROM NO.</p>	<p>DWG NO.</p>
<p>SCOTT@HOTMAIL.COM</p>	<p>Scale 1/1</p>	<p>Sheet 1 OF 1</p>
<p>5E3 DELUXE CHASSIS</p>		<p>REV</p>

8 7 6 5 4 3 2 1