

Service Manual

AD15/30VT

CONTENTS

Circuit Diagram: Page 2-4

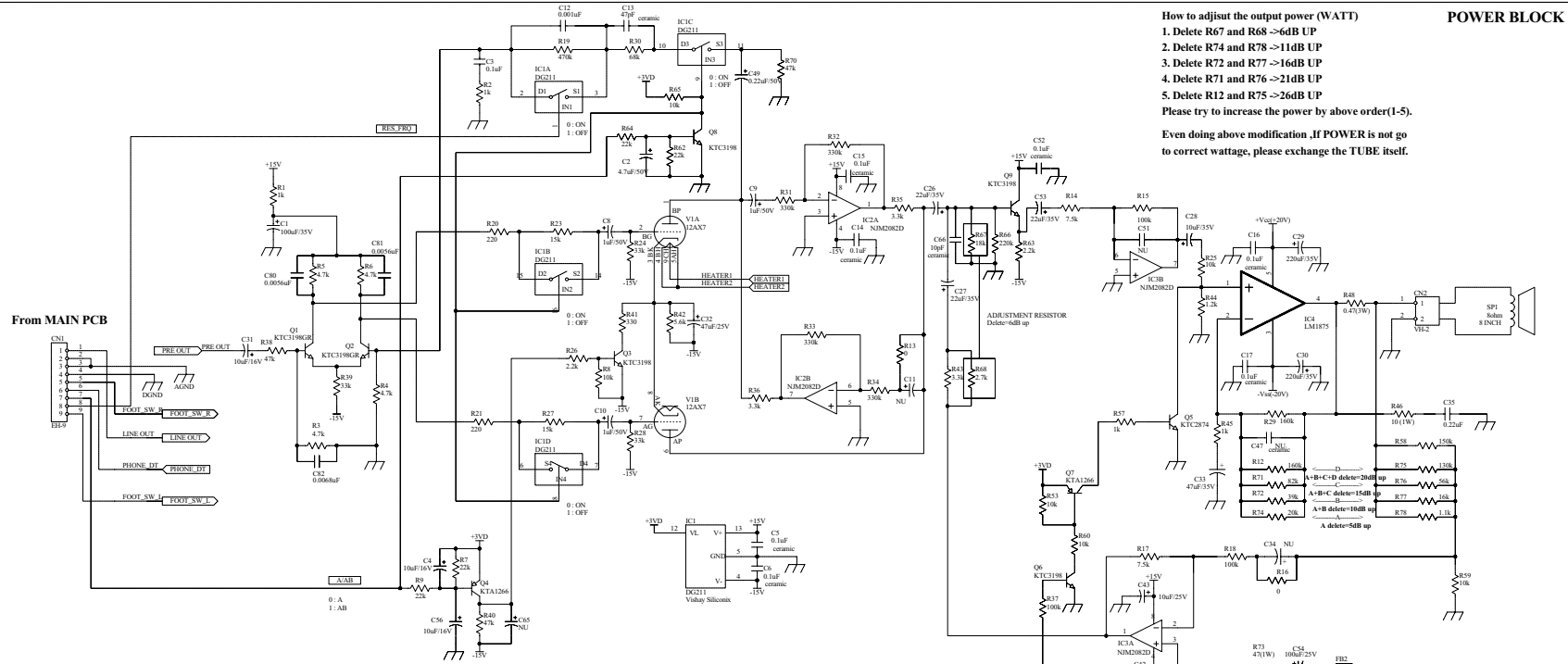
Block Diagram: Page 5-6

Parts List: Page: 7-11

2nd Edition

Issued date: December 9th 2004

Issued by: KORG INC.

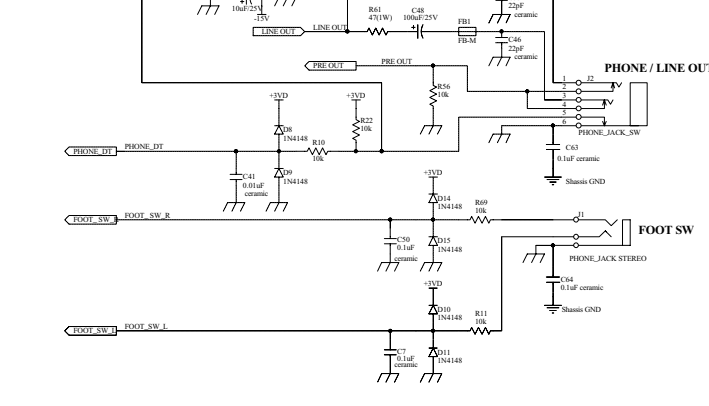
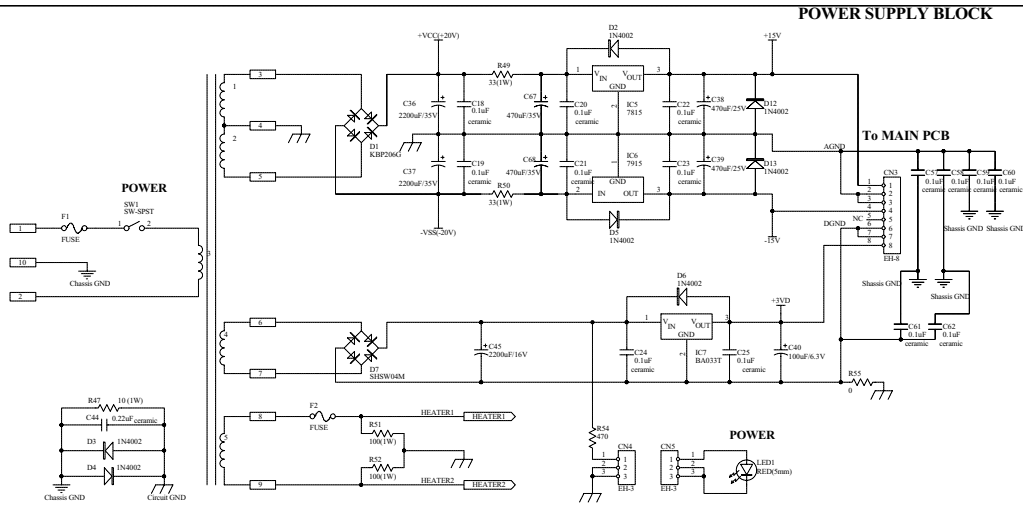


How to adjust the output power (WATT)

1. Delete R67 and R68 ->6dB UP
2. Delete R74 and R78 ->11dB UP
3. Delete R72 and R77 ->16dB UP
4. Delete R71 and R76 ->21dB UP
5. Delete R12 and R75 ->26dB UP

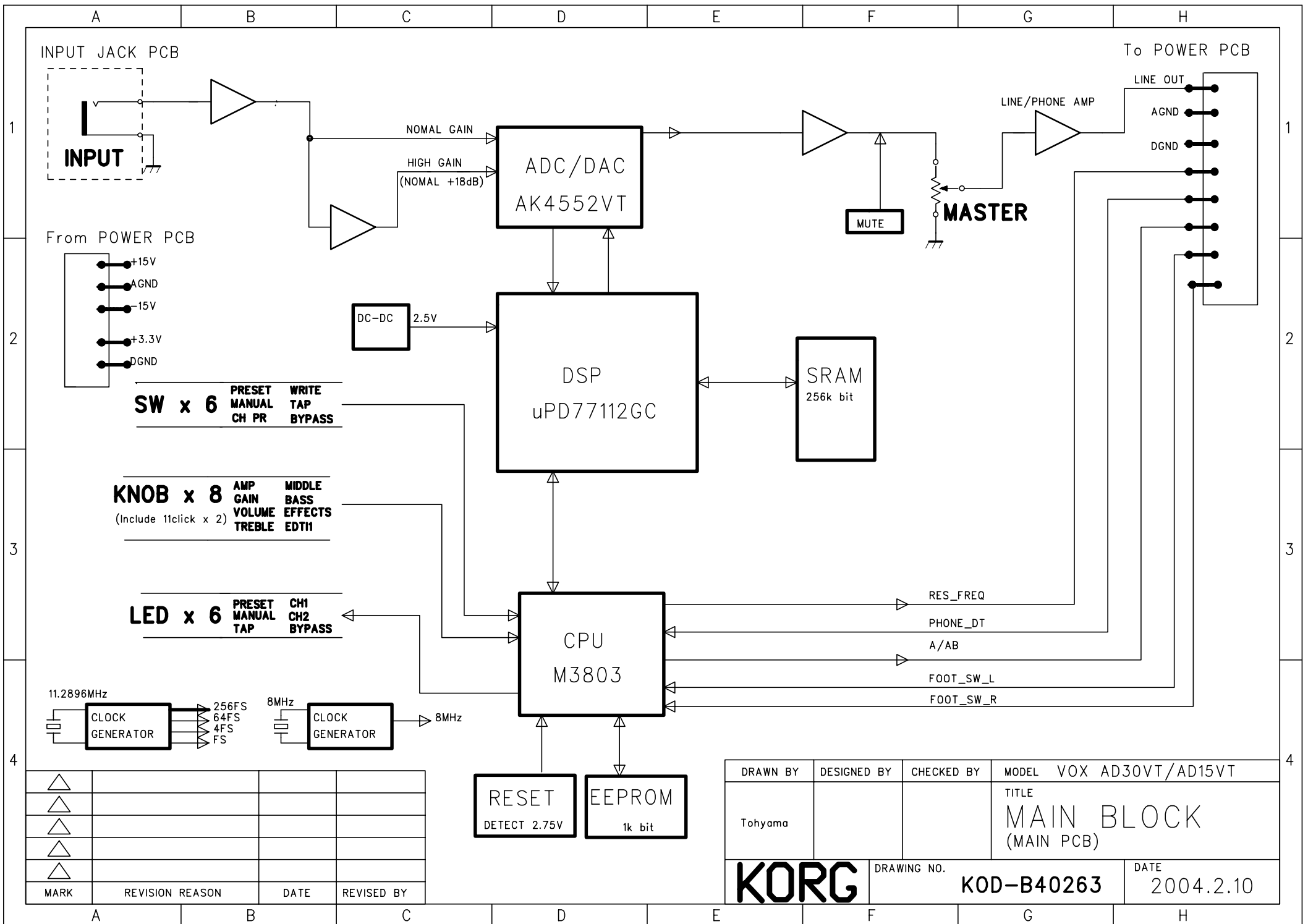
Please try to increase the power by above order(1-5).
Even doing above modification .if POWER is not go to correct wattage, please exchange the TUBE itself.

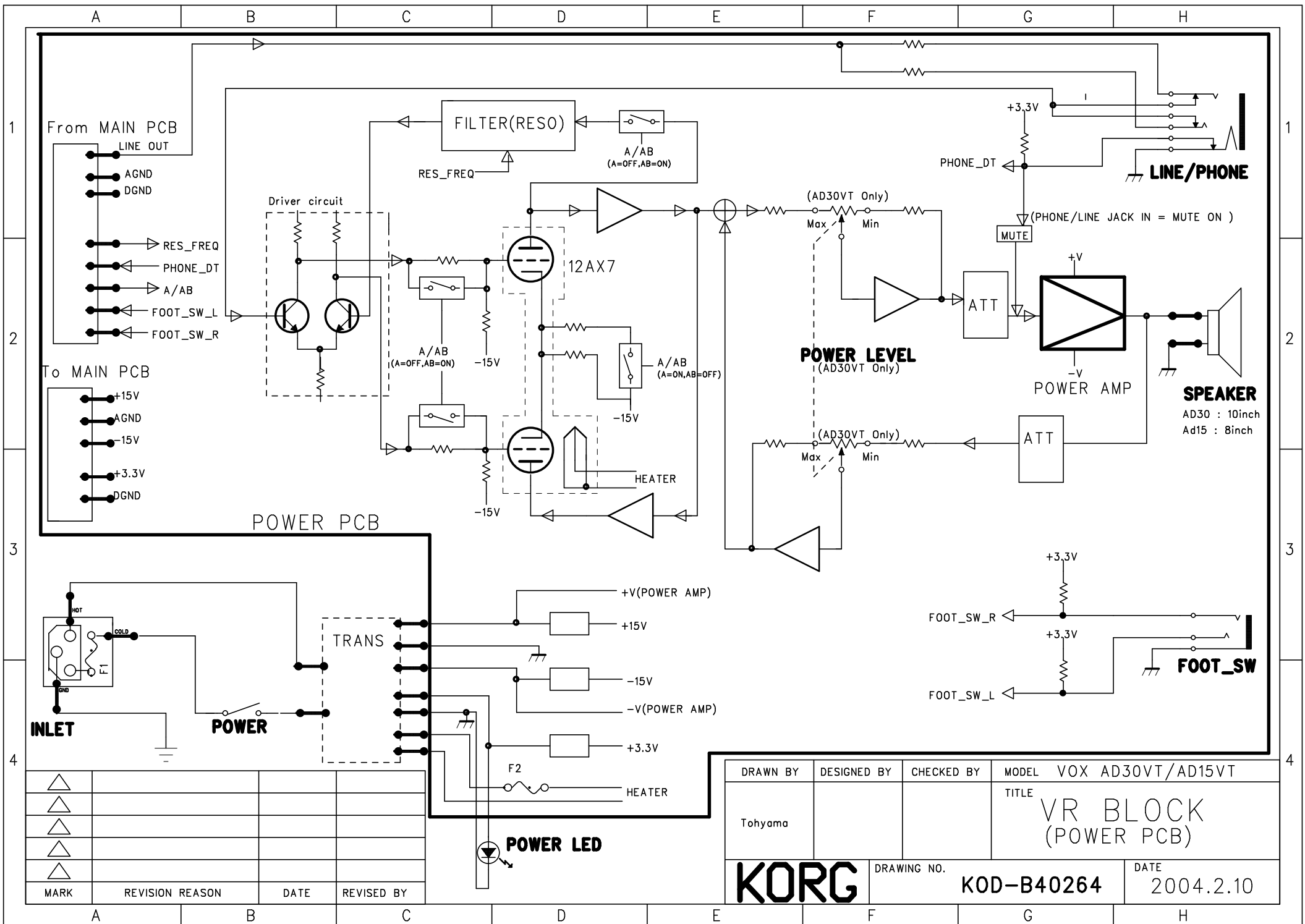
POWER BLOCK



NC : No Connect
NU : No Use

TIRE VOX AD15VT POWER PCB			
Size	Number	Revision	
A2		KLM-2464	
Date	2004.1.9	Sheet	2/2





MARK	REVISION	REASON	DATE	REVISED BY
△				
△				
△				
△				
△				

DRAWN BY	DESIGNED BY	CHECKED BY	MODEL VOX AD30VT/AD15VT
Tohyama			TITLE VR BLOCK (POWER PCB)
KORG		DRAWING NO. KOD-B40264	DATE 2004.2.10

AD15VT

PART CODE	PART NAME	NOTE	Q'TY
320001607	IC UPD77112GC-017-9EU	PWB031205	1
320011236	IC M3803-7M6H-094FP	PWB031205	1
324038005	IC TDA1308T	PWB031205	1
600006503	AC POWER CORD DC-627-J01	M.PART 100JP	1
*V903010000	TR NPN KTC3198-GR	PWB031209	6
*V903010001	TR PNP KTA1266-GR	PWB031209	2
*V903010017	TRANSISTER KTA2014	PWB031205	1
*V903010018	TRANSISTER KTC2875	PWB031205	1
*V903010019	TRANSISTER KTC2874B	PWB031209	1
*V903111000	SILICON RECTIFIRE DIODE 1N4002	PWB031209	7
*V903111002	SILICON SWITCHING DIODE 1N4148	PWB031209	6
*V903111011	BRIDGE DIODE KBP206G	PWB031209	1
*V903111012	DOUBLE DIODE DA204K	PWB031205	2
*V903111013	BRIDGE RECTIFIER DIODE W04M	PWB031209	1
*V903120006	LED RED 3MM DLL-B5131Q-Y	PWB031205	6
*V903120008	LED DLL-50231 5MM	PWB031209	1
*V903200013	IC DP AMP NJM4556	PWB031205	1
*V903200019	IC OP AMP NJM2068M	PWB031205	1
*V903200023	IC SRAM HY62WT08081E	PWB031205	1
*V903200024	IC RESET KIA7125FV	PWB031205	1
*V903200025	IC EEPROM AK93C45AF	PWB031205	1
*V903200026	IC DC/DC CON NJM2872AF	PWB031205	1
*V903200027	IC INVERTER 74LVU04DB	PWB031205	1
*V903200028	IC BINARY COUNTER 74LV4040A	PWB031205	1
*V903200029	IC OP AMP NJM2082D	PWB031209	2
*V903200030	IC POWER LM1875	PWB031209	1
*V903200031	IC REGULATOR KA7815TU	PWB031209	1
*V903200032	IC REGULATOR KA7915TU	PWB031209	1
*V903200033	IC REGULATOR BA033T	PWB031209	1
*V903300009	FUSE CLIP 0751-0110	PWB031209	2
*V903300011	FUSE TIMELAG 250V T1.6AL	M.PART 100JP	1
*V903300011	FUSE TIMELAG 250V T1.6AL	M.PART 117EX	1
*V903300011	FUSE TIMELAG 250V T1.6AL	M.PART 117CN	1
*V903300011	FUSE TIMELAG 250V T1.6AL	M.PART 117US	1
*V903300011	FUSE TIMELAG 250V T1.6AL	M.PART 117US	1
*V903300017	FUSE 250V T800MAL	M.PART 230WG	1
*V903300017	FUSE 250V T800MAL	M.PART 240AU	1
*V903300017	FUSE 250V T800MAL	M.PART 230GE	1
*V903300017	FUSE 250V T800MAL	PWB031209	1
*V903300017	FUSE 250V T800MAL	M.PART 230FR	1
*V903300017	FUSE 250V T800MAL	M.PART 230UK	1
*V903350001	CRYSTAL 8MHZ	PWB031205	1
*V903350002	CRYSTAL 11.2896MHZ	PWB031205	1
*V903620015	VR RV160-40-15S-B10K-CO	PWB031205	7
*V903620016	VR RV160-40-15S-B10K-C11	PWB031205	2
*V904020001	AXIAL BEED CORE SAT2550L	PWB031209	2
*V904020001	AXIAL BEED CORE SAT2550L	PWB031205	1
*V904020003	CHIP INDUCTOR HH-1M2012-600	PWB031205	3
*V904050024	POWER TRANSFORMER 100V=057-ADJ	M.PART 100JP	1
*V904050025	POWER TRANSFORMER 120V=057-ADU	M.PART 117CN	1
*V904050025	POWER TRANSFORMER 120V=057-ADU	M.PART 117EX	1
*V904050025	POWER TRANSFORMER 120V=057-ADU	M.PART 117US	1
*V904050026	POWER TRANSFORMER 230V=057-ADE	M.PART 230FR	1

AD15VT

PART CODE	PART NAME	NOTE	Q'TY
*V904050026	POWER TRANSFORMER 230V=057-ADE	M.PART 230GE	1
*V904050026	POWER TRANSFORMER 230V=057-ADE	M.PART 230WG	1
*V904050026	POWER TRANSFORMER 230V=057-ADE	M.PART 230UK	1
*V904050027	POWER TRANSFORMER 240V=057ADEF	M.PART 240AU	1
*V904100107	LOUD SPEALKER 8-INCH	M.PART	1
*V904530005	ANALOG SW DG211	PWB031209	1
*V904530014	POWER SWITCH APS1101	M.PART	1
*V904530015	TACT SW ATS-1230B(K=9.5MM)	PWB031205	6
*V904540015	PHONE JACK (STEREO) APJ-8P-S	PWB031209	2
*V904540015	PHONE JACK (STEREO) APJ-8P-S	PWB031205	1
*V904700000	AC CONNECTOR SC-8F-21	M.PART	1
*V904752012	FLAT WIRE AWG26 150MM WHT/BK9P	PWB031209	1
*V904752013	FLAT WIRE AWG26 210MM WHT/BK8P	PWB031209	1
*V904752014	FLAT WIRE AWG26 300MM WHT/BK2P	PWB031209	1
*V904753009	T205 RING WIRE AWG18 YL 150MM	M.PART	1
*V904753010	T250 RING WIRE AWG18 YL 200MM	M.PART	1
*V904753011	T205/250 WIRE AWG22 BK 150MM	M.PART	1
*V904753012	SHIELD WIRE AWG26 GRY 115MM	PWB031205	1
*V904753013	LEAD WIRE AWG22 150MM WHT	PWB031209	1
*V904753014	LEAD WIRE 205T AWG22 400MM WHT	PWB031209	1
*V904753015	LEAD WIRE 205T AWG22 520MM BK	PWB031209	1
*V904754002	EARTH RING TERMINAL AD15/30	PWB031205	1
*V904754002	EARTH RING TERMINAL AD15/30	PWB031209	2
*V904754003	POWER TERMINAL 250 AD15	PWB031209	8
*V904754004	PVC TUBE PHI 3.5 150MM	PWB031209	1
*V904754005	HEAT TUBE 20MM (6 PHI)	PWB031209	3
*V904754006	HEAT TUBE 25MM (6 PHI)	PWB031209	4
*V904755001	WAFER GIL-S-3P-S2TS ANGLE	PWB031205	1
*V905000001	TUBE SOCKET VT9-PT-2	PWB031209	1
*V905000002	VACUUME TUBE 12AX7WA	M.PART	1
*V906000104	AC POWER CORD KKP-30 SVT(120V)	M.PART 117EX	1
*V906000104	AC POWER CORD KKP-30 SVT(120V)	M.PART 117CN	1
*V906000104	AC POWER CORD KKP-30 SVT(120V)	M.PART 117US	1
*V906000105	AC POWER CORD KKP-4819R(230V)	M.PART 230GE	1
*V906000105	AC POWER CORD KKP-4819R(230V)	M.PART 230WG	1
*V906000105	AC POWER CORD KKP-4819R(230V)	M.PART 230FR	1
*V906000106	AC POWER CORD KKP650(230UK)	M.PART 230UK	1
*V906000107	AC POWER CORD KKP550(240AU)	M.PART 230AU	1
*V906400003	KNOB (CHICKEN HEAD)	M.PART	8
*V906400009	PLASTIC CORNER	M.PART	6
*V906400017	ROUND KNOB	M.PART	1
*V906400021	TACT KNOB CIRCLE AD15/30	M.PART	6
*V906400022	VOX BRAND MARK (LARGE) SILVER	M.PART	1
*V906400023	VALVETRONIX EMBLEM SILVER	M.PART	1
*V906410006	CABINET FOR AD15	M.PART	1
*V906420001	RUBBER FOOT	M.PART	4
*V906430018	RUBBER BUSHING PHI 12	M.PART	1
*V906430053	MAIN CHASSIS AD15	M.PART	1
*V906430054	FRONT PANEL AD15	M.PART	1
*V906430055	REAR PANEL AD15 100V	M.PART	1
*V906430056	PCB SUPPORT BRASS 10MM	M.PART	4
*V906430057	LED BUSHING PHI 5	M.PART	1
*V906430058	INSULATE SPACER MICA AD15	M.PART	1

AD15VT

PART CODE	PART NAME	NOTE	Q'TY
*V906430059	INSULATE BUSHING TO220 AD15	M.PART	1
*V906430060	LED SUPPORT 10MM AD15	PWB031205	6
*V906430061	GRILL SUPORT AD15	M.PART	6
*V906430063	REAR PANEL AD15 120V	M.PART	1
*V906430064	REAR PANEL AD15 230V	M.PART	1
*V906430065	REAR PANEL AD15 240V	M.PART	1
*V906440028	HEATSINK AD15 (80X30X42 AL)	M.PART	1
*V906440029	RUBBER SPONGE 15X10X1T	M.PART	6
*V906440030	RUBBER SPONGE 27X15X2T	M.PART	2
*V906440031	AD15 SPEAKER GRILL SPC1 1.2T N1	M.PART	1
*V906450033	DVOX HANDLE BAR WITH HANDLE	M.PART	1
*V906460001	FLANGE NUT M4	M.PART	4
*V906460001	FLANGE NUT M4	M.PART	4
*V906460006	TOOS WASHER PHI PHI 4 INTERNAL	M.PART	2
*V906460008	TOOS WASHER PHI PHI 3 INTERNAL	M.PART	2
*V906460011	VOLUME NUT M7	M.PART	9
*V906460012	VOLUME WASHER PHI 7	M.PART	9
*V906460013	JACK NUT AD15	M.PART	3
*V906460014	JACK WASHER AD15/30	PWB031205	1
*V906460014	JACK WASHER AD15/30	PWB031209	2
*V909000023	PCB ASSY PWB031209 AD15VT	M.PART	1
*V909000026	PCB ASSY PWB031205 AD15/30VT	M.PART	1

AD30VT

PART CODE	PART NAME	NOTE	Q'TY
320001607	IC UPD77112GC-017-9EU	PWB031205	1
320011236	IC M3803FPPP	PWB031205	1
324038005	IC TDA1308T	PWB031205	1
600006503	AC POWER CORD DC-627-J01	M.PART 100JP	1
*V903010000	TR NPN KTC3198-GR	PWB031209A	6
*V903010001	TR PNP KTA1266-GR	PWB031209A	2
*V903010017	TRANSISTER KTA2014	PWB031205	1
*V903010019	TRANSISTER KTC2874B	PWB031209A	1
*V903010020	TRANSISTER KTC2875B	PWB031205	1
*V903111000	SILICON RECTIFIRE DIODE 1N4002	PWB031209A	7
*V903111002	SILICON SWITCHING DIODE 1N4148	PWB031209A	6
*V903111012	DOUBLE DIODE DA204K	PWB031205	2
*V903111013	BRIDGE RECTIFIER DIODE W04M	PWB031209A	1
*V903111014	BRIDGE DIODE KBP206	PWB031209A	1
*V903120008	LED DLL-50231 5MM	PWB031209A	1
*V903200013	IC DP AMP NJM4556	PWB031205	1
*V903200019	IC OP AMP NJM2068M	PWB031205	1
*V903200023	IC SRAM HY62WT08081E	PWB031205	1
*V903200024	IC RESET KIA7125FV	PWB031205	1
*V903200025	IC EEPROM AK93C45AF	PWB031205	1
*V903200026	IC DC/DC CON NJM2872AF	PWB031205	1
*V903200027	IC INVERTER 74LVU04DB	PWB031205	1
*V903200028	IC BINARY COUNTER 74LV4040A	PWB031205	1
*V903200029	IC OP AMP NJM2082D	PWB031209A	2
*V903200031	IC REGULATOR KA7815TU	PWB031209A	1
*V903200032	IC REGULATOR KA7915TU	PWB031209A	1
*V903200033	IC REGULATOR BA033T	PWB031209A	1
*V903200034	IC POWER LM3886T	PWB031209A	1
*V903300009	FUSE CLIP 0751-0110	PWB031209A	2
*V903300011	FUSE TIMELAG 250V T1.6AL	M.PART 100JP	1
*V903300011	FUSE TIMELAG 250V T1.6AL	M.PART 117EX	1
*V903300011	FUSE TIMELAG 250V T1.6AL	M.PART 117CN	1
*V903300011	FUSE TIMELAG 250V T1.6AL	M.PART 117US	1
*V903300011	FUSE TIMELAG 250V T1.6AL	M.PART 117US	1
*V903300017	FUSE 250V T800MAL	M.PART 230WG	1
*V903300017	FUSE 250V T800MAL	M.PART 230GE	1
*V903300017	FUSE 250V T800MAL	M.PART 230FR	1
*V903300017	FUSE 250V T800MAL	PWB031209A	1
*V903300017	FUSE 250V T800MAL	M.PART 240AU	1
*V903300017	FUSE 250V T800MAL	M.PART 230UK	1
*V903350001	CRYSTAL 8MHZ	PWB031205	1
*V903350002	CRYSTAL 11.2896MHZ	PWB031205	1
*V903620015	VR RV160-40-15S-B10K-CO	PWB031205	7
*V903620016	VR RV160-40-15S-B10K-C11	PWB031205	2
*V903620017	VR RS162-20-15SP-B100K STEREO	PWB031209A	1
*V904020001	AXIAL BEED CORE SAT2550L	PWB031209A	2
*V904020001	AXIAL BEED CORE SAT2550L	PWB031205	1
*V904020003	CHIP INDUCTOR HH-1M2012-600	PWB031205	3
*V904050020	POWER TRANS 100V= 066-ADJ	M.PART 100JP	1
*V904050021	POWER TRANS 120V= 066-ADU	M.PART 117EX	1
*V904050021	POWER TRANS 120V= 066-ADU	M.PART 117US	1
*V904050021	POWER TRANS 120V= 066-ADU	M.PART 117CN	1
PART CODE	PART NAME	NOTE	Q'TY
*V904050022	POWER TRANS 230V= 066-ADE	M.PART 230GE	1
*V904050022	POWER TRANS 230V= 066-ADE	M.PART 230UK	1
*V904050022	POWER TRANS 230V= 066-ADE	M.PART 230FR	1
*V904050022	POWER TRANS 230V= 066-ADE	M.PART 230WG	1
*V904050023	POWER TRANS 240V= 066-ADEF	M.PART 240AU	1
*V904100108	SPEAKER 10 INCH 8 OHM	M.PART	1

AD30VT

PART CODE	PART NAME	NOTE	Q'TY
*V904530005	ANALOG SW DG211	PWB031209A	1
*V904530014	POWER SWITCH APS1101	M.PART	1
*V904530015	TACT SW ATS-1230B(K=9.5MM)	PWB031205	6
*V904540015	PHONE JACK (STEREO) APJ-8P-S	PWB031209A	2
*V904540015	PHONE JACK (STEREO) APJ-8P-S	PWB031205	1
*V904700000	AC CONNECTOR SC-8F-21	M.PART	1
*V904752012	FLAT WIRE AWG26 150MM WHT/BK9P	PWB031209A	1
*V904752013	FLAT WIRE AWG26 210MM WHT/BK8P	PWB031209A	1
*V904752014	FLAT WIRE AWG26 300MM WHT/BK2P	PWB031209A	1
*V904753009	T205 RING WIRE AWG18 YL 150MM	M.PART	1
*V904753010	T250 RING WIRE AWG18 YL 200MM	M.PART	1
*V904753011	T205/250 WIRE AWG22 BK 150MM	M.PART	1
*V904753012	SHIELD WIRE UL2547 AWG26 115MM	PWB031205	1
*V904753013	LEAD WIRE AWG22 150MM WHT	PWB031209A	1
*V904753014	LEAD WIRE 205T AWG22 400MM WHT	PWB031209A	1
*V904753015	LEAD WIRE 205T AWG22 520MM BK	PWB031209A	1
*V904754002	EARTH RING TERMINAL AD15/30	PWB031205	1
*V904754002	EARTH RING TERMINAL AD15/30	PWB031209A	2
*V904754003	POWER TERMINAL 250 AD15	PWB031209A	8
*V904754004	PVC TUBE PHI 3.5 150MM	PWB031209A	1
*V904755001	WAFER GIL-S-3P-S2TS ANGLE	PWB031205	1
*V905000001	TUBE SOCKET VT9-PT-2	PWB031209A	1
*V905000002	VACUUME TUBE 12AX7WA	M.PART	1
*V906000104	AC POWER CORD KKP-30 SVT(120V)	M.PART 117US	1
*V906000104	AC POWER CORD KKP-30 SVT(120V)	M.PART 117CN	1
*V906000104	AC POWER CORD KKP-30 SVT(120V)	M.PART 117EX	1
*V906000105	AC POWER CORD KKP-4819R(230V)	M.PART 230GE	1
*V906000105	AC POWER CORD KKP-4819R(230V)	M.PART 230WG	1
*V906000105	AC POWER CORD KKP-4819R(230V)	M.PART 230FR	1
*V906000106	AC POWER CORD KKP650(230UK)	M.PART 230UK	1
*V906000107	AC POWER CORD KKP550(240AU)	M.PART 230AU	1
*V906400003	KNOB (CHICKEN HEAD)	M.PART	8
*V906400009	PLASTIC CORNER	M.PART	6
*V906400017	ROUND KNOB	M.PART	2
*V906400021	TACT KNOB CIRCLE AD15/30	M.PART	6
*V906400022	VOX BRAND MARK (LARGE) SILVER	M.PART	1
*V906400023	VALVETRONIX EMBLEM SILVER	M.PART	1
*V906400024	AD30 VENT GRILL	M.PART	2
*V906410007	WOODEN CABINET AD30	M.PART	1
*V906420001	RUBBER FOOT	M.PART	4
*V906430018	RUBBER BUSHING PHI 12	M.PART	1
*V906430056	PCB SUPPORT BRASS 10MM	M.PART	4
*V906430057	LED BUSHING PHI 5	M.PART	1
*V906430060	LED SUPPORT 10MM AD15	PWB031205	6
*V906430061	GRILL SUPORT AD15	M.PART	6
*V906430066	MAIN CHASSIS AD30	M.PART	1
PART CODE	PART NAME	NOTE	Q'TY
*V906430067	FRONT PANEL AD30	M.PART	1
*V906430068	REAR PANEL AD30 100V	M.PART	1
*V906430069	REAR PANEL AD30 120V	M.PART	1
*V906430070	REAR PANEL AD30 230V	M.PART	1
*V906430071	REAR PANEL AD30 240V	M.PART	1
*V906440029	RUBBER SPONGE 15X10X1T	M.PART	6
*V906440032	HEATSINK AD30 (80X35X92)	M.PART	1
*V906440033	SPEAKER GRILL SPC1 1.2T N1	M.PART	1
*V906450033	DVOX HANDLE BAR WITH HANDLE	M.PART	1
*V906460001	FLANGE NUT M4	M.PART	4
*V909000026	PCB ASSY PWB031205 AD15/30VT	M.PART	1
*V909000027	PCB ASSY PWB031209A AD30VT	M.PART	1