

CAUTION:
THIS SCHEMATIC IS PROVIDED FOR USE BY QUALIFIED PERSONNEL. TO AVOID RISK OF ELECTRIC SHOCK, REFER SERVICING TO QUALIFIED SERVICE PERSONNEL. DO NOT PERFORM ANY SERVICING BEYOND THAT EXPLAINED IN THE OPERATING INSTRUCTIONS.

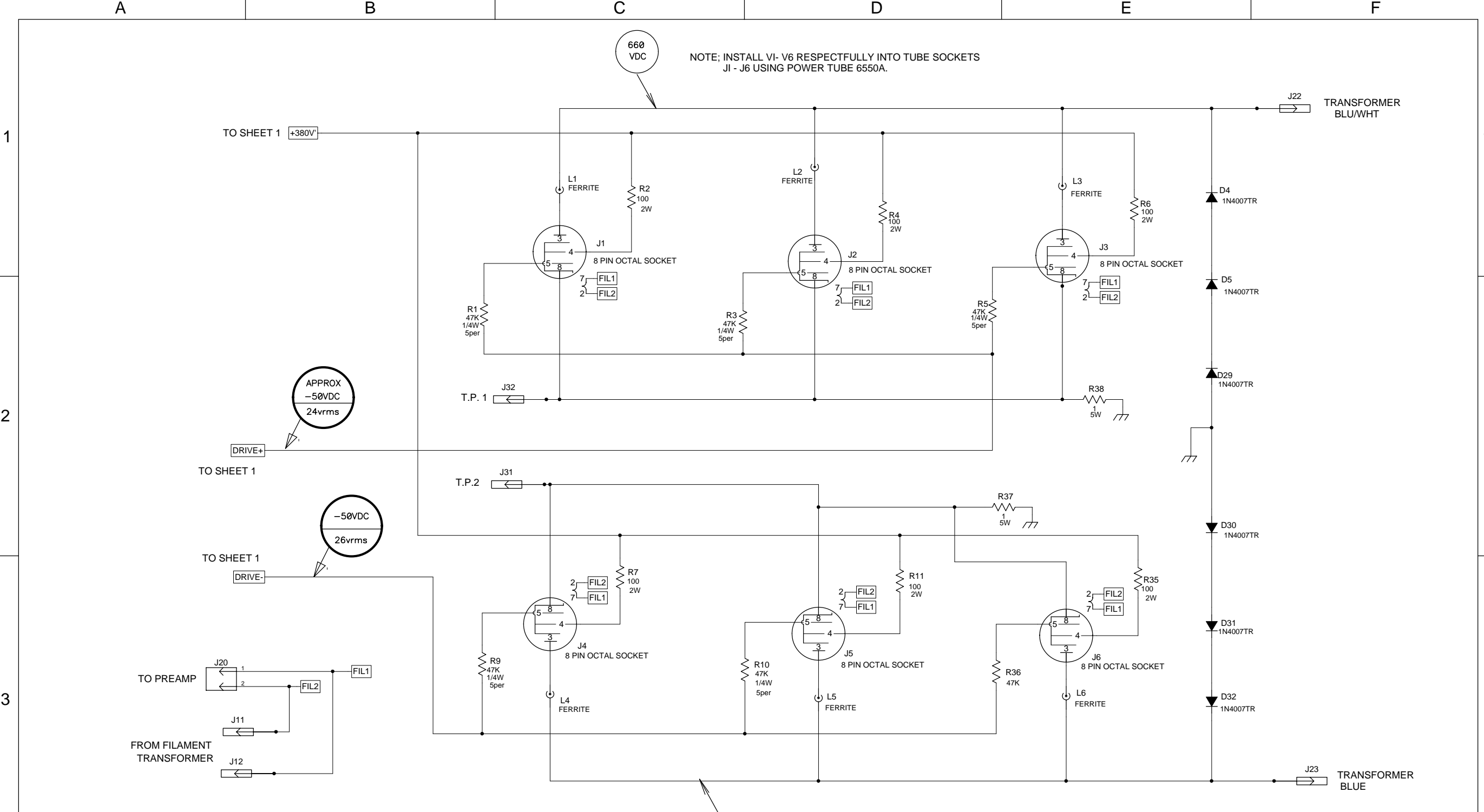
NOTES:
1) CAUTION: SHOCK HAZARD!! THIS UNIT CONTAINS HAZARDOUS VOLTAGE. DISCONNECT POWER AND BE SURE POWER SUPPLY IS DISCHARGED BEFORE TOUCHING INTERNAL PARTS.
2) UNLESS NOTED, RESISTOR VALUES IN OHMS, 1/4W-5% TOL. CAPACITOR VALUES IN MICROFARADS, 50V-10% TOL.
3) VOLTAGES ARE MEASURED WITH 1 MEGOHM OSCILLOSCOPE AND 10 MEGOHM DIGITAL VOLTMETER.

TEST POINT CONDITIONS:
120V LINE VOLTAGE 4 OHM LOAD 1KHZ INPUT
ALL DC VOLTAGES MEASURED WITH NO SIGNAL APPLIED.
EFF SEND & RETURN @ '10'. PARALLEL SELECTED.
CHANNEL 1 SELECTED.
EFF SEND & RETURN @ '10'. PARALLEL SELECTED.
CHANNEL 1 SELECTED.

BIAS NOTE:
TO ADJUST BIAS:
ALLOW UNIT TO WARM UP FOR 20 MINUTES
ADJUST BIAS 1 FOR 115mV @ T.P.1.
ADJUST BIAS 2 FOR MINIMUM HUM WITH ALL CONTROLS @ '10'.

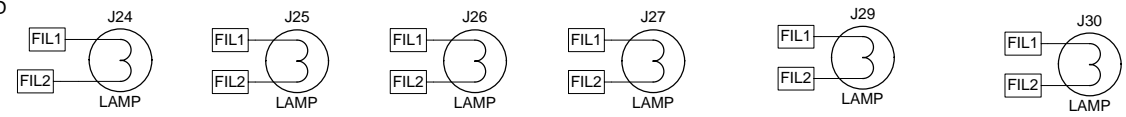
SEE BIAS NOTE

1	9/16/02	CHG'G R2,R4,R6,R7,R11&R11 FROM 77-220-01 TO 78A101-21	N00973	REM		
0	5/20/02	CONTROL ISSUE				
REV	Date	DESCRIPTION	Ecr(s)/Ecn(s)	Chgd By	Appvd by	Date
THE INFORMATION CONTAINED ON THIS DRAWING IS PROPRIETARY TO ST. LOUIS MUSIC, INC.						
Signatures:		Date:		 11880 Borman Drive, St. Louis, MO 63146		
Drawn: REM		5/25/01				
Checked:				First Used On:		
Released:				BV300a		
Plot Date: Mon Sep 16, 2002		Drawing Size: C		Drawing Title:		
Plot Time: 15:07:59		Drawing Type: Schematic		SCHEM- TUBE PWR AMP		
Tolerance:		Class Code: NONE		Drawing Number:		
		Sheet 1 of 2		07S110-XX		



NOTE: INSTALL V1- V6 RESPECTFULLY INTO TUBE SOCKETS
J1 - J6 USING POWER TUBE 6550A.

CAUTION:
THIS SCHEMATIC IS PROVIDED FOR USE BY QUALIFIED PERSONNEL.
TO AVOID RISK OF ELECTRIC SHOCK, REFER SERVICING TO QUALIFIED
SERVICE PERSONNEL. DO NOT PERFORM ANY SERVICING BEYOND
THAT EXPLAINED IN THE OPERATING INSTRUCTIONS.



NOTES:
1) CAUTION: SHOCK HAZARD!!
THIS UNIT CONTAINS HAZARDOUS VOLTAGE. DISCONNECT POWER
AND BE SURE POWER SUPPLY IS DISCHARGED BEFORE
TOUCHING INTERNAL PARTS.
2) UNLESS NOTED, RESISTOR VALUES IN OHMS, 1/4W-5% TOL.
CAPACITOR VALUES IN MICROFARADS, 50V-10% TOL.
3) VOLTAGES ARE MEASURED WITH 1 MEGOHM OSCILLOSCOPE
AND 10 MEGOHM DIGITAL VOLTMETER.

REV	Date	DESCRIPTION	Ecr(s)/Ecn(s)	Chgd By	Appvd by	Date
1	9/16/02	CHG'G R2,R4,R6,R7,R11&R11 FROM 77-220-01 TO 78A101-21		N00973	REM	
0	5/20/02	CONTROL ISSUE				

THE INFORMATION CONTAINED ON THIS DRAWING IS PROPRIETARY TO
ST. LOUIS MUSIC, INC.

Signatures:		Date:	 11880 Borman Drive, St. Louis, MO 63146
Drawn:	REM	5/25/01	
Checked:			First Used On:
Released:			BV300a
Plot Date: Mon Sep 16, 2002	Drawing Size: C	Drawing Title:	
Plot Time: 15:08:00	Drawing Type: Schematic	SCHEM- TUBE PWR AMP	
Tolerance:	Class Code: NONE	Drawing Number:	
	Sheet 2 of 2	07S110-XX	