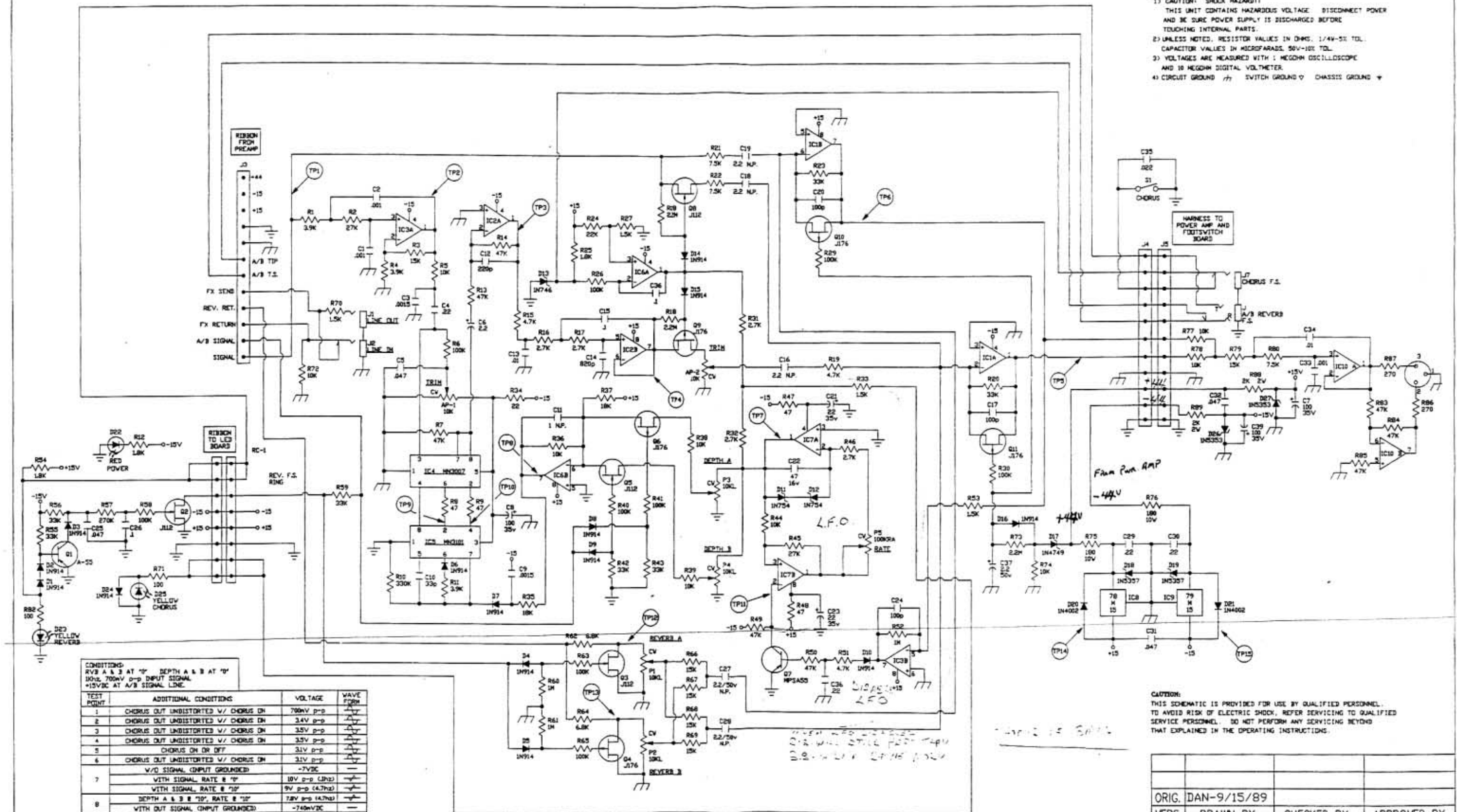


- NOTES**
- 1) CAUTION: SHOCK HAZARD!! THIS UNIT CONTAINS HAZARDOUS VOLTAGE. DISCONNECT POWER AND BE SURE POWER SUPPLY IS DISCHARGED BEFORE TOUCHING INTERNAL PARTS.
  - 2) UNLESS NOTED, RESISTOR VALUES IN OHMS, 1/4W-5% TOL. CAPACITOR VALUES IN MICROFARADS, 50V-10% TOL.
  - 3) VOLTAGES ARE MEASURED WITH 1 MEGOHM OSCILLOSCOPE AND 10 MEGOHM DIGITAL VOLTMETER.
  - 4) CIRCUIT GROUND  $\nabla$  SWITCH GROUND  $\nabla$  CHASSIS GROUND  $\nabla$




CONDITIONS:  
RV3 A & B AT "0" DEPTH A & B AT "0"  
10kHz, 700mV p-p INPUT SIGNAL  
+15VDC AT A/B SIGNAL LINE

TEST POINT	ADDITIONAL CONDITIONS	VOLTAGE	WAVE FORM
1	CHORUS OUT UNDISTORTED w/ CHORUS ON	700mV p-p	—
2	CHORUS OUT UNDISTORTED w/ CHORUS ON	3.4V p-p	—
3	CHORUS OUT UNDISTORTED w/ CHORUS ON	3.5V p-p	—
4	CHORUS OUT UNDISTORTED w/ CHORUS ON	3.5V p-p	—
5	CHORUS ON OR OFF	31V p-p	—
6	CHORUS OUT UNDISTORTED w/ CHORUS ON	31V p-p	—
7	V/O SIGNAL (INPUT GROUND)	-7VDC	—
	WITH SIGNAL RATE @ "0"	10V p-p (10Hz)	—
	WITH SIGNAL RATE @ "10"	9V p-p (4.7Hz)	—
	DEPTH A & B @ "10", RATE @ "10"	7.8V p-p (4.7Hz)	—
8	WITH OUT SIGNAL (INPUT GROUND)	-740mVDC	—
	DEPTH A & B @ "0"	15Vp-p -7.5VDC	—
	DEPTH A & B @ "10", RATE @ "0"	15Vp-p -7.5VDC	—
10	TEST POINT 9 (INVERTED)	—	—
	WITH SIGNAL	15mV DC	—
	WITH OUT SIGNAL	-14.4VDC	—
12	15Vp-p 10K Hz INPUT RV3 A & B @ "0", A/B 10Vp-p +15VDC	60mV p-p	—
	A/B SIGNAL = -15VDC	4V p-p	—
13	15Vp-p 10K Hz INPUT RV3 A & B @ "10", A/B 10Vp-p +15VDC	4V p-p	—
	A/B SIGNAL = -15VDC	190mV p-p	—
14	NL CONDITION	+15VDC	—
15	NO CONDITION	-15VDC	—

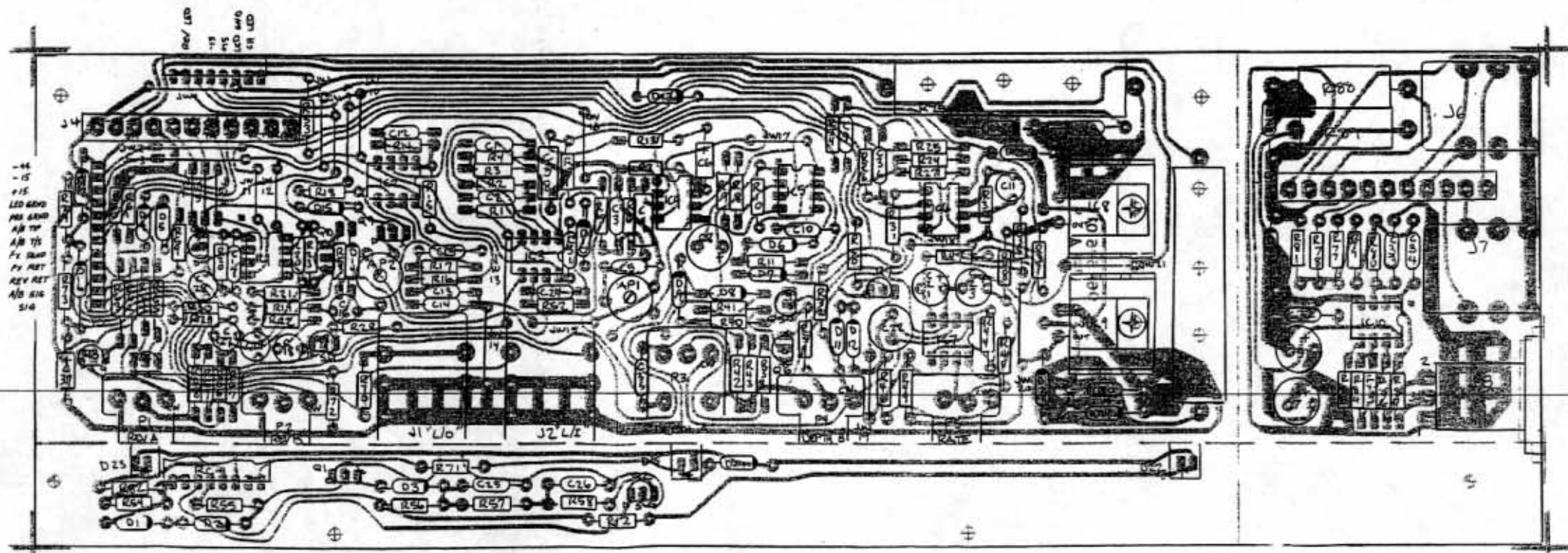
For Assy. 07-525-01

CAUTION:  
THIS SCHEMATIC IS PROVIDED FOR USE BY QUALIFIED PERSONNEL.  
TO AVOID RISK OF ELECTRIC SHOCK, REFER SERVICING TO QUALIFIED SERVICE PERSONNEL. DO NOT PERFORM ANY SERVICING BEYOND THAT EXPLAINED IN THE OPERATING INSTRUCTIONS.

ORIG. DAN-9/15/89			
VERS.	DRAWN BY	CHECKED BY	APPROVED BY
PAGE # 2 OF 3	DRAWING # 16-036-51		
DESCRIPTION: VH-140CXL CHORUS BOARD			
 <b>SLM ELECTRONICS</b> 11880 BORMAN DR. ST. LOUIS, MO 63146			

07-525-01 PARTS LIST

R1	3.9K	76-292-01	R55	33K	76-333-01	C15	1u	100104-01	D1	MS9-105	76-020-01	IC-1	8 PIN RIBBON	99-100-01
R2	1.5K	76-073-01	R56	33K	76-333-01	C16	2.2u/50v N.P.	12-020-01	D2	J112	96-112-01	IC-1	10-220 81M	32-041-01
R3	1.5K	76-153-01	R57	20K	76-274-01	C17	200p	100021-11	D3	J112	96-112-01	IC-2	10-220 81M	32-041-01
R4	3.9K	76-292-01	R58	100K	76-104-01	C18	2.2u/50v N.P.	12-020-01	D4	J176	96-176-01	SCREW-1	4-40X3/8"	30-440-52
R5	10K	76-103-01	R59	23K	76-333-01	C19	2.2u/50v N.P.	12-020-01	D5	J176	96-176-01	SCREW-2	4-40X3/8"	30-440-52
R6	100K	76-104-01	R60	1M	76-100-01	C20	200p	100021-11	D6	J176	96-176-01	MIT-1	4-40 MIT	30-442-52
R7	4.7K	76-472-01	R61	1M	76-100-01	C21	20u/35V	12-020-01	D7	MS9-105	76-020-01	MIT-2	4-40 MIT	30-442-52
R8	4.7K	76-470-01	R62	2.2K	76-222-01	C22	17u/16v N.P.	12-020-01	D8	J112	96-112-01	PC-1	88100 P.L.	060505-01
R9	4.7K	76-470-01	R63	100K	76-104-01	C23	20u/35V	12-020-01	D9	J176	96-176-01			
R10	330K	76-334-01	R64	2.0K	76-202-01	C24	100p	100101-01	D10	J176	96-176-01			
R11	2.2K	76-220-01	R65	100K	76-104-01	C25	.047u	100473-11	D11	J176	96-176-01			
R12	1.0K	76-102-01	R66	2.2K	76-222-01	C26	1u	100104-01						
R13	4.7K	76-472-01	R67	2.2K	76-222-01	C27	2.2u/50v N.P.	12-020-01						
R14	4.7K	76-472-01	R68	2.2K	76-222-01	C28	2.2u/50v N.P.	12-020-01						
R15	4.7K	76-470-01	R69	2.2K	76-222-01	C29	.22u	100224-01						
R16	2.7K	76-270-01	R70	1.5K	76-150-01	C30	.22u	100224-01	IC1	4558	27-458-01			
R17	2.7K	76-270-01	R71	100	76-101-01	C31	.047u	100473-11	IC2	4558	27-458-01			
R18	2.2K	76-220-01	R72	10K	76-103-01	C32	.047u	100473-11	IC3	4558	27-458-01			
R19	2.7K	76-270-01	R73	2.2K	76-222-01	C33	.001u	100100-01	IC4	MS3007	27-307-01			
R20	10K	76-103-01	R74	10K	76-103-01	C34	.01u	100103-11	IC5	MS3101	27-301-01			
R21	2.7K	76-270-01	R75	180 OHM 10M	76-181-10	C35	.022u	100223-01	IC6	4558	27-458-01			
R22	2.7K	76-270-01	R76	180 OHM 10M	76-181-10	C36	1u	100104-01	IC7	4558	27-458-01			
R23	10K	76-103-01	R77	10K	76-103-01	C37	2.2u/50v	100220-01	IC8	79M13	27-713-01			
R24	20K	76-182-01	R78	10K	76-103-01	C38	.22u	100224-01	IC9	79M13	27-713-01			
R25	1.5K	76-150-01	R79	15K	76-153-01	C39	100u/25v	12-107-38	IC10	4558	27-458-01			
R26	100K	76-104-01	R80	7.5K	76-752-01									
R27	1.5K	76-150-01	R81	1K	76-100-01									
R28	2.2K	76-220-01	R82	100	76-101-01									
R29	100K	76-104-01	R83	4.7K	76-472-01									
R30	100K	76-104-01	R84	4.7K	76-472-01									
R31	2.7K	76-270-01	R85	4.7K	76-472-01									
R32	2.7K	76-270-01	R86	270	76-271-01									
R33	1.5K	76-150-01	R87	2.0	76-271-01									
R34	20	76-200-01	R88	20/2M	76-200-01									
R35	10K	76-103-01	R89	20/2M	76-200-01									
R36	10K	76-103-01												
R37	10K	76-103-01												
R38	10K	76-103-01												
R39	10K	76-103-01												
R40	100K	76-104-01												
R41	100K	76-104-01												
R42	33K	76-333-01												
R43	33K	76-333-01												
R44	10K	76-103-01												
R45	2.7K	76-270-01												
R46	2.7K	76-270-01												
R47	4.7	76-470-01												
R48	4.7	76-470-01												
R49	4.7K	76-470-01												
R50	4.7K	76-470-01												
R51	4.7K	76-470-01												
R52	1M	76-100-01												
R53	1.5K	76-150-01												
R54	1.5K	76-150-01												



NOTES: 11 UNLESS OTHERWISE SPECIFIED, ALL RESISTORS ARE IN OHMS 1/4 WATT, 5%. ALL CAPACITORS ARE IN MICROFARADS AND HAVE A 50 VOLT RATING (MINIMUM).

ASSY. PART NO. 07-525-01

TOLERANCES	REVISIONS	DATE		BY	DESCRIPTION
RESISTOR	1				
GENERAL	2				
FUNCTIONAL	3				
MECHANICAL	4				
WELDING	5				
OTHER	6				

VH-140C CHORUS BRD PICT  
 B.L.H. ELECTRONICS  
 1400 FERROSDON, ST. LOUIS, MO 63123  
 DRAWN BY: DM SCALE: 2X  
 DATE: 9/15/89  
 CHECKED BY: JPC  
 DATE: 9/15/89  
 PART NO: 07-525-01