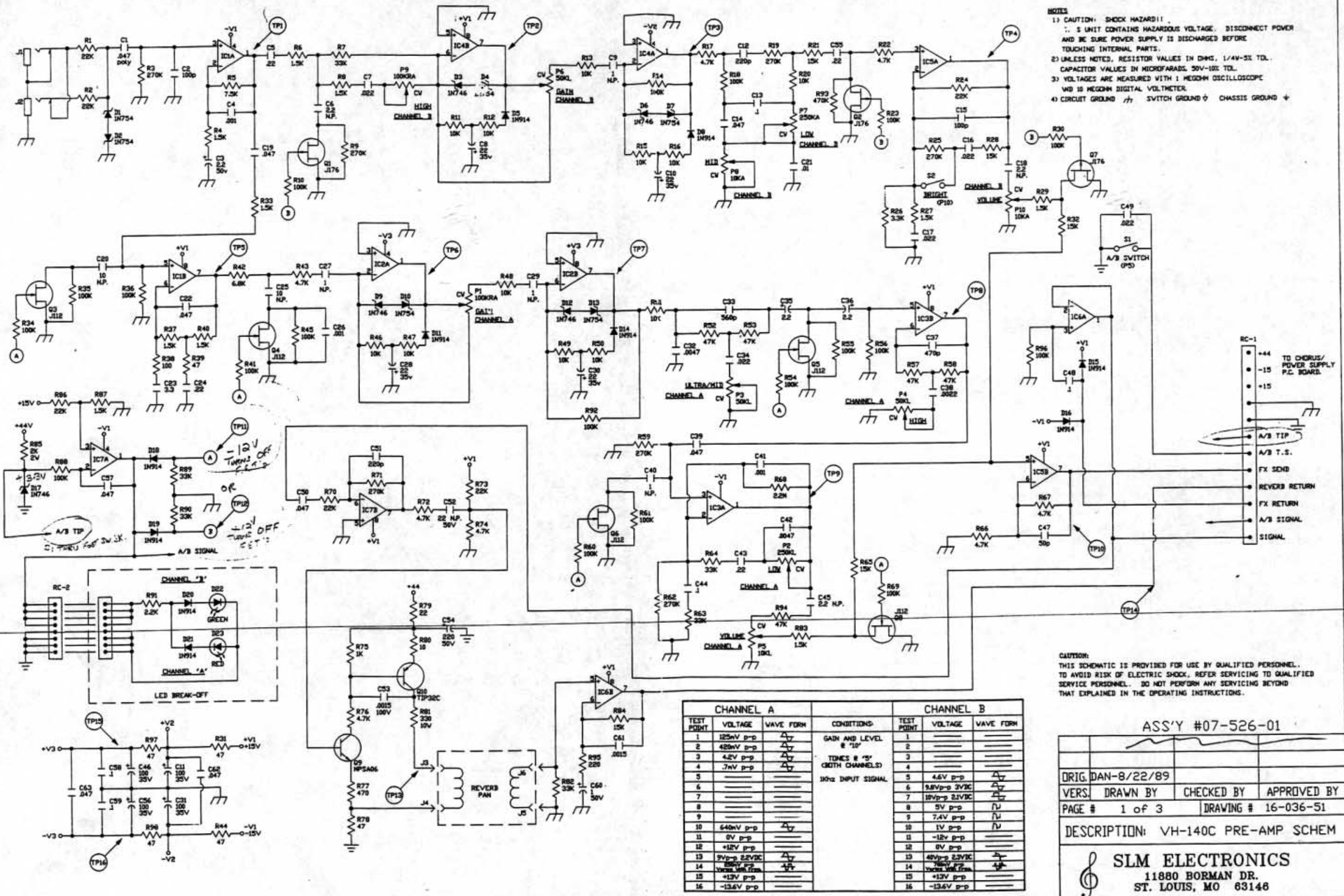


NOTES
 1) CAUTION: SHOCK HAZARD!!
 2) S UNIT CONTAINS HAZARDOUS VOLTAGE. DISCONNECT POWER AND BE SURE POWER SUPPLY IS DISCHARGED BEFORE TOUCHING INTERNAL PARTS.
 3) UNLESS NOTED, RESISTOR VALUES IN OHMS, 1/4W-5% TOL. CAPACITOR VALUES IN MICROFARADS, 50V-10% TOL.
 4) VOLTAGES ARE MEASURED WITH 1 MEGOHM OSCILLOSCOPE AND 10 MEGOHM DIGITAL VOLTMETER.
 5) CIRCUIT GROUND --- SWITCH GROUND --- CHASSIS GROUND ---



CAUTION: THIS SCHEMATIC IS PROVIDED FOR USE BY QUALIFIED PERSONNEL. TO AVOID RISK OF ELECTRIC SHOCK, REFER SERVICING TO QUALIFIED SERVICE PERSONNEL. DO NOT PERFORM ANY SERVICING BEYOND THAT EXPLAINED IN THE OPERATING INSTRUCTIONS.

CHANNEL A			CHANNEL B		
TEST POINT	VOLTAGE	WAVE FORM	TEST POINT	VOLTAGE	WAVE FORM
1	125mV p-p	Δ	1		
2	420mV p-p	Δ	2		
3	4.2V p-p	Δ	3		
4	7mV p-p	Δ	4		
5			5	4.6V p-p	Δ
6			6	9.8V p-p 2V/VC	Δ
7			7	10V p-p 2V/VC	Δ
8			8	5V p-p	Δ
9			9	7.4V p-p	Δ
10	640mV p-p	Δ	10	1V p-p	Δ
11	0V p-p		11	-12V p-p	
12	+12V p-p		12	0V p-p	
13	9V p-p 2.5V/VC	Δ	13	40V p-p 2.5V/VC	Δ
14	200V p-p 100mV/VC	Δ	14	700V p-p 100mV/VC	Δ
15	+13V p-p		15	+13V p-p	
16	-13.6V p-p		16	-13.6V p-p	

ASS'Y #07-526-01

ORIG. DAN-8/22/89		
VERS. DRAWN BY	CHECKED BY	APPROVED BY
PAGE # 1 of 3	DRAWING # 16-036-51	
DESCRIPTION: VH-140C PRE-AMP SCHEM		
 SLM ELECTRONICS 11880 BORMAN DR. ST. LOUIS, MO 63146		

